

“Stay Connected” with



Liquid Tight Cordgrips

a PennEngineering® Company

Heyco® -Tite Brass Lazy Bend Liquid Tight Cordgrips

Metric Hubs

The Ultimate in Liquid Tight Strain Relief Protection



CABLE DIAMETER RANGE				PART NO.	THREAD SIZE	PART DIMENSIONS									
Minimum		Maximum				A Clearance Hole Dia.		B Max. O.A. Length		C Thread Length		D Wrenching Flat Size		E Lazy Bend Nozzle Lg	
in.	mm.	in.	mm.			in.	mm.	in.	mm.	in.	mm.	in.	mm.		

EPDM Nozzle

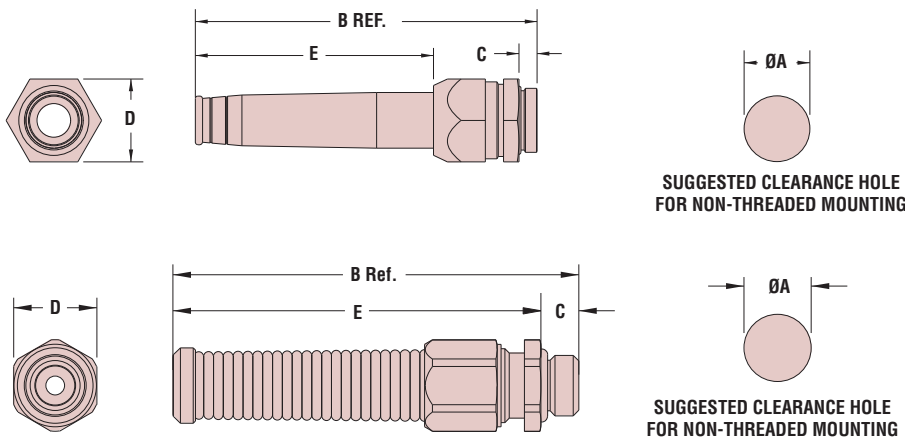
.150	3,8	.189	4,8	14670	M8 x 1.25	.315	8,0	1.69	43,0	.24	6,0	.43	11,0	.98	25,0
.157	4,0	.236	6,0	14671	M10 x 1.5	.394	10,0	2.40	61,0	.24	6,0	.63	16,0	1.38	35,0
.157	4,0	.236	6,0	14672	M12 x 1.5	.472	12,0								
.236	6,0	.346	8,8	14673	M16 x 1.5	.630	16,0	2.95	75,0	.24	6,0	.79	20,0	1.77	45,0
.354	9,0	.433	11,0	14674	M20 x 1.5	.787	20,0	3.90	99,0	.24	6,0	.94	24,0	2.56	65,0
.413	10,5	.512	13,0	14675	M20 x 1.5	.787	20,0	4.29	109,0	.24	6,0	.94	24,0	2.87	73,0
.512	13,0	.650	16,5	14676	M25 x 1.5	.984	25,0	5.20	132,0	.28	7,0	1.26	32,0	3.62	92,0

Stainless Steel Nozzle

ALL NEW PRODUCTS

.098	2,5	.118	3,0	14700	M8 x 1.25	.315	8,0	2.13	54,0	.20	5,0	.43	11,0	1.93	49,0
.138	3,5	.157	4,0	14701											
.118	3,0	.157	4,0	14702	M10 x 1.5	.394	10,0	2.24	57,0	.20	5,0	.51	13,0	2.05	52,0
.157	4,0	.236	6,0	14703											
.138	3,5	.197	5,0	14704											
.197	5,0	.256	6,5	14705	M12 x 1.5	.472	12,0	2.44	62,0	.20	5,0	.59	15,0	2.24	57,0
.256	6,5	.295	7,5	14706											
.177	4,5	.236	6,0	14707											
.236	6,0	.315	8,0	14708	M16 x 1.5	.630	16,0	2.80	71,0	.20	5,0	.71	18,0	2.60	66,0
.315	8,0	.413	10,5	14709											
.236	6,0	.315	8,0	14710											
.315	8,0	.433	11,0	14711	M20 x 1.5	.787	20,0	3.62	92,0	.24	6,0	.94	24,0	3.39	86,0
.433	11,0	.571	14,5	14712											
.374	9,5	.492	12,5	14713											
.492	12,5	.630	16,0	14714	M25 x 1.5	.984	25,0	4.17	106,0	.28	7,0	1.18	30,0	3.90	99,0
.630	16,0	.748	19,0	14715											
.669	17,0	.827	21,0	14716	M32 x 1.5	1.260	32,0	4.61	117,0	.31	8,0	1.42	36,0	4.29	109,0
.827	21,0	.965	24,5	14717											

- EPDM and Stainless Steel Nozzles ease the cable into a lazy bend; prevents sharp bending and ensure longest cable and product life.
- Nickel-plated brass construction for superior protection of flexible cables.
- Nickel-plated finish over brass provides excellent corrosion resistance and durability.
- Adds reliability, longevity, and safety to your application.
- Protects the lifeline of your electric/electronic products by absorbing the forces of pull, push, twist, and flex.
- Securely anchors, insulates, and protects cables at panel entry points.
- DFARS Compliant



	EPDM Nozzle	Stainless Steel Nozzle
Material	Nickel-Plated Brass with NBR Sealing Gland and O-Ring and EPDM Nozzle	Nickel-Plated Brass with Stainless Steel Nozzle w/TPE Sealing Gland and NBR O-Ring
Temperature Range	-40°F (-40°C) to 212°F (100°C)	
IP Rating	IP 68, IP 69K	