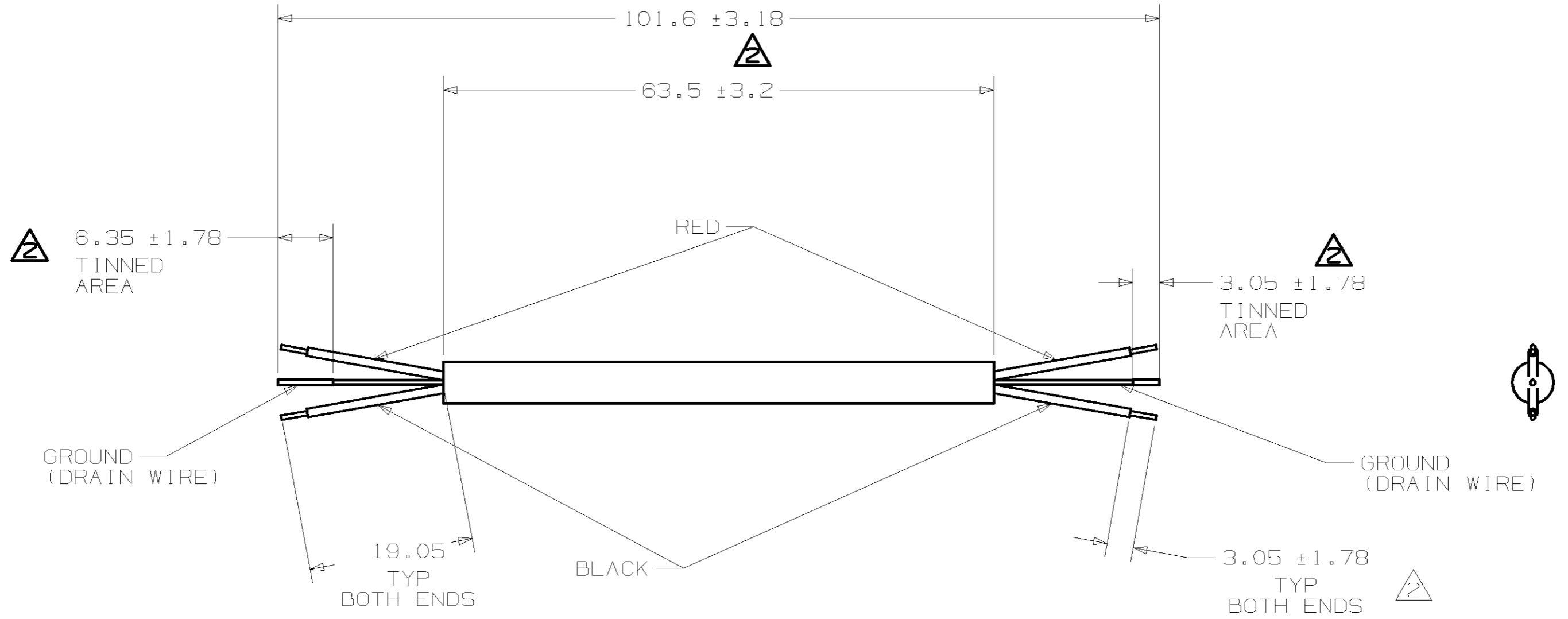


REV.	RELEASE NO.	DATE	DRAWN	APP.
1	04-4232	9/16/04	GJR	<i>E.H.</i>
2	05-4439	1/6/05	GJR	



NOTES

- 1) WIRE TO BE 24 AWG. STRANDED
- 2) WIRES TO BE FOIL SHIELDED WITH DRAIN WIRE
- 3) GROUND TO BE 7 STRAND WRAPPED
- 4) WIRES TO BE STRIPPED AND TINNED
- 5) APPROVED VENDOR (REF): BOBO ENGINEERING
PO BOX 549
ARAB, AL 35016

MILLIMETERS		
TOLERANCE	.0	.00
DIA.	± .2	.13
LINEAR ±	.2	.13
ANGULAR ±		1°
DO NOT SCALE PRINT		

THIS DRAWING REPRESENTS CONFIDENTIAL AND PROPRIETARY INFORMATION OF SSI TECHNOLOGIES INC AND SHALL NOT BE USED, ALTERED OR DISCLOSED IN WHOLE OR IN PART WITHOUT THE EXPRESS WRITTEN APPROVAL OF SSI TECHNOLOGIES INC. ANY USE OF THIS DRAWING SHALL BE SUBJECT TO SSI TECHNOLOGIES INC SUPPLIER QUALITY ASSURANCE SPECIFICATION SQA9001.



SSI Technologies, Inc.

A	B	C	D	E	F	G	H	J	K	L	M
N	P	Q	R	S	T	U	V	W	X	Y	Z

JOB CAT FLS		DO NOT SCALE	ASSEMBLY NO. - - - - -	
NAME WIRE, ELEMENT		3RD ANGLE PROJECTION 	CUSTOMER I.D.	
MATERIAL SEE NOTES			DRWG. NO. 22493.1	
DWG SIZE B	SHEET 1 OF 1	SCALE N/A	VERSION NX2	REV. 2
COMPUTER DRAWN NO MANUAL CHANGE		REFER TO ANSI Y14.5M-1994		