

MFR Series

mobile furniture rack

economical solution for mobile presentation systems

features:

- Cost-effective furniture rack includes advanced features for reliability
- Robust design features bolt-through casters and internal steel bracing (12 and 16 space models have 3" floor-friendly caster, 20 space models have 4" casters)
- Optimized for passive ventilation, or choose optional DC fan kit
- Optional flat screen mount accommodates most monitors up to 32" (VESA 100)
- Integrated rear management system features vented top mounting panel for optional DC fans, integrated cable exit panel, and tip-in rear panel for easy equipment access
- Locking Plexi Glas® front door standard
- Available in 12, 16, and 20 rackspace sizes in 3 attractive colors: Knotted Maple, Grained Ebony Ash, and Grained Dark Cherry
- UL Listed (structural and tip) for support of audio/video equipment
- Ships fully assembled



MFR-2027-EB



rear view

specifications:

EIA compliant 19" mobile furniture equipment rack shall be Middle Atlantic Products model #MFR-__27__ (see chart for available models). Overall dimensions of MFR shall be __"H x 22.63"W x 27.37"D (refer to chart). Useable height of MFR shall be __rackspace, useable depth shall be 23.19". MFR shall come equipped with one pair of adjustable steel rackrail with tapped 10-32 mounting holes in universal EIA spacing, black e-coat finish and numbered rackspace. MFR shall have bolt-through casters. MFR shall have 4 casters total, with locking front casters. MFR shall have internal steel bracing. MFR shall be constructed of melamine and have a __ finish (refer to chart). MFR shall have an undersized top. MFR shall include a locking and latching 1/4" Plexi Glas® front door. MFR shall include a removable melamine rear access panel. MFR shall have rear venting and cable entry. MFR shall have a 60MM (2.375 in.) cable grommet on top, that accepts a monitor mount. MFR shall ship fully assembled. MFR shall provide a UL Listed load capacity of 250 lbs. mounted in the rack, 50 lbs on top of the rack, and 25 lbs. on the optional monitor mount. MFR shall be UL Listed in the US and Canada. MFR shall be GREENGUARD Gold Certified. MFR shall be manufactured by an ISO 9001 and ISO 14001 registered company. MFR enclosure shall be warranted to be free from defects in material or workmanship under normal use and conditions 7 years.

Customizable specification clips available at middleatlantic.com

EIA/TIA COMPLIANT



PRODUCT CERTIFIED FOR
LOW CHEMICAL EMISSIONS
UL.COM/GG
UL 2818

options:

- Rear Rackrail Kits shall be model # MFR-RRK-__ (12, 16, 20), # equals rackspace, which must match number of rackspace in rack.
- Monitor mount shall be model # MMB-1X1-12C, shall have a VESA 75 and 100 pattern, mount monitors up to 32" in size, and have a 25 lb. weight capacity
- Rear fan kit shall be model # MFR-FANKIT-2, include two 3" DC fans, and provide 50 CFM of cooling. Thermostatic fan control shall be model # FC-DC.

what **great systems** are built on.™

A Group brand | **legrand**

Middle Atlantic Products

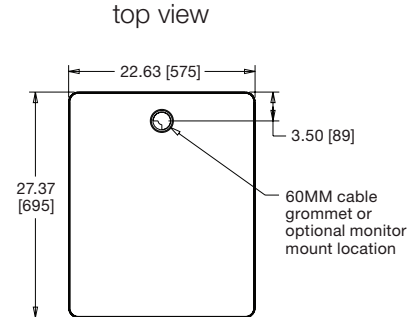
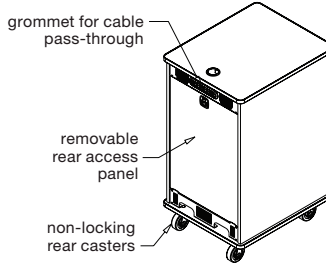
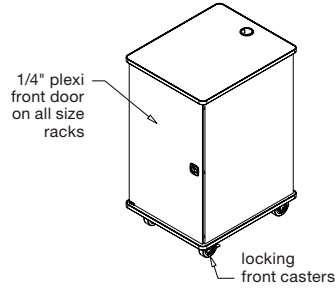
middleatlantic.com | middleatlantic.ca

96-01177/ rev d / 2-16-15

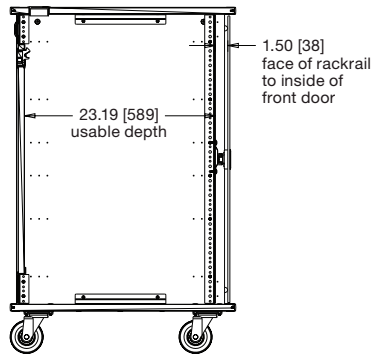
MFR Series

basic dimensions

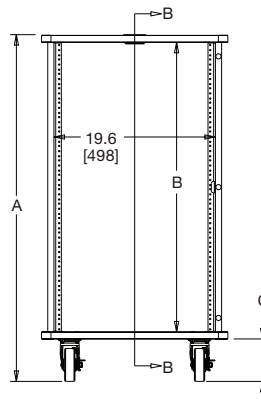
all dimensions in inches unless otherwise noted [all dimensions in brackets are in millimeters]



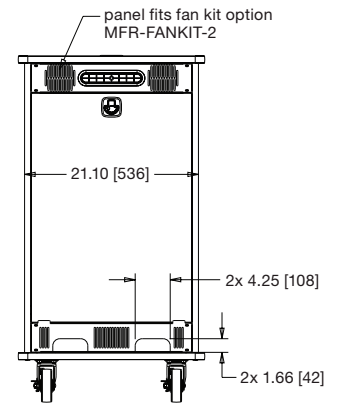
section B-B
front rail adjustable to 1.50 [38], 2.50 [64], and 3.50 [89] from inside of front door



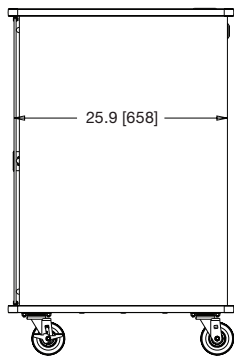
front view
door removed to show rackrail



rear view



side view



Part #	A Overall Height	B Inside Height	Rackspaces	C Caster Height	Caster Diameter
MFR-1227-XX	26.95 [685]	21.16 [537]	12 space	4.10"	3 [76]
MFR-1627-XX	33.95 [862]	28.16 [715]	16 space	4.10"	3 [76]
MFR-2027-XX	42.03 [1068]	35.16 [893]	20 space	5.10"	4 [102]

Notes:

- Part number structure, where "XX" equals one of the following:
GE= Ebony Ash
KM = Maple
GC = Dark Cherry
- Rack top, bottom, sides and rear access panel constructed from 3/4" melamine