

“Stay Connected” with



HEYware Products

a PennEngineering® Company



## Heyco® Nytye® Mounting Platforms

### Flat Platforms – Adhesive Back Mount

- Multiple sizes, strengths, and mounting options anchor Nytyes® securely.
- Five Types:
  - 1) Flat - Adhesive-Back and Screw Mounts
  - 2) Saddle - Screw Mount only
  - 3) Push Mount - Arrowhead and Blind Mounts
  - 4) Snap Over Bolt
  - 5) Stainless Steel Edge Clip “SunRunner Series”

	MAX. TENSILE STRENGTH		ADHESIVE	INSERT POINTS	RELEASE TAB?	PART NO.	DESCRIPTION	PART DIMENSIONS					
	Lbs.	N						A		B		C	
								in.	mm.	in.	mm.	in.	mm.
<b>NEW!</b>	18	80	Rubber Acrylic	4	yes	<b>3591</b> <b>3591A</b>	MP-050x050-ABR MP-050x050-ABA	.50	12,7	.50	12,7	.17	4,3
<b>NEW!</b>	40	178	Rubber Acrylic	4	yes	<b>3595</b> <b>3595A</b>	MP-075x075-ABR MP-075x075-ABA	.75	19,1	.75	19,1	.28	7,0
<b>NEW!</b>			Rubber Acrylic	4	yes	<b>3594</b> <b>3594A</b>	MP-080x080-ABR MP-080x080-ABA	.80	20,3	.80	20,3	.19	4,8
<b>NEW!</b>	50	222	Rubber Acrylic	4	yes	<b>3599</b> <b>3599A</b>	MP-100x100-ABR MP-100x100-ABA	1.00	25,4	1.00	25,4	.32	8,1
			Rubber	2 4	yes yes	<b>3590*</b> <b>3593*</b>	MP-110x110-ABA MP-115x115-ABA	1.10 1.15	27,9 29,2	1.10 1.15	27,9 29,2	.24 .26	6,0 6,6

Standard color natural. \*These adhesive-backed parts are also screw mountable.

### Flat Platforms – Screw Mount

- Rubber based adhesive effective up to 158°F (70°C).
- Acrylic based adhesive effective up to 167°F (75°C).
- Apply Adhesive-Backed parts to a clean, dry surface.

	MAX. TENSILE STRENGTH		SCREW SIZE		INSERT POINTS	PART NO.	DESCRIPTION	PART DIMENSIONS					
	Lbs.	N	in.	mm.				A		B		C	
								in.	mm.	in.	mm.	in.	mm.
	40	178	#6	3,5	4	<b>4264</b>	MP-075x075-S6	.75	19,1	.75	19,1	.24	6,0
	50	222	#8	4,0	4	<b>4265</b>	MP-038x075-S8	.38	9,5	.75	19,1	.20	5,0
<b>NEW!</b>					2	<b>3589</b>	MP-100x100-S8	1.00	25,4	1.00	25,4	.28	7,1
<b>NEW!</b>					2	<b>3580</b>	MP-110x110-S8	1.10	27,9	1.10	27,9	.24	6,0
			#6	3,5	4	<b>3581</b>	MP-115x115-S6	1.15	29,2	1.15	29,2	.26	6,6

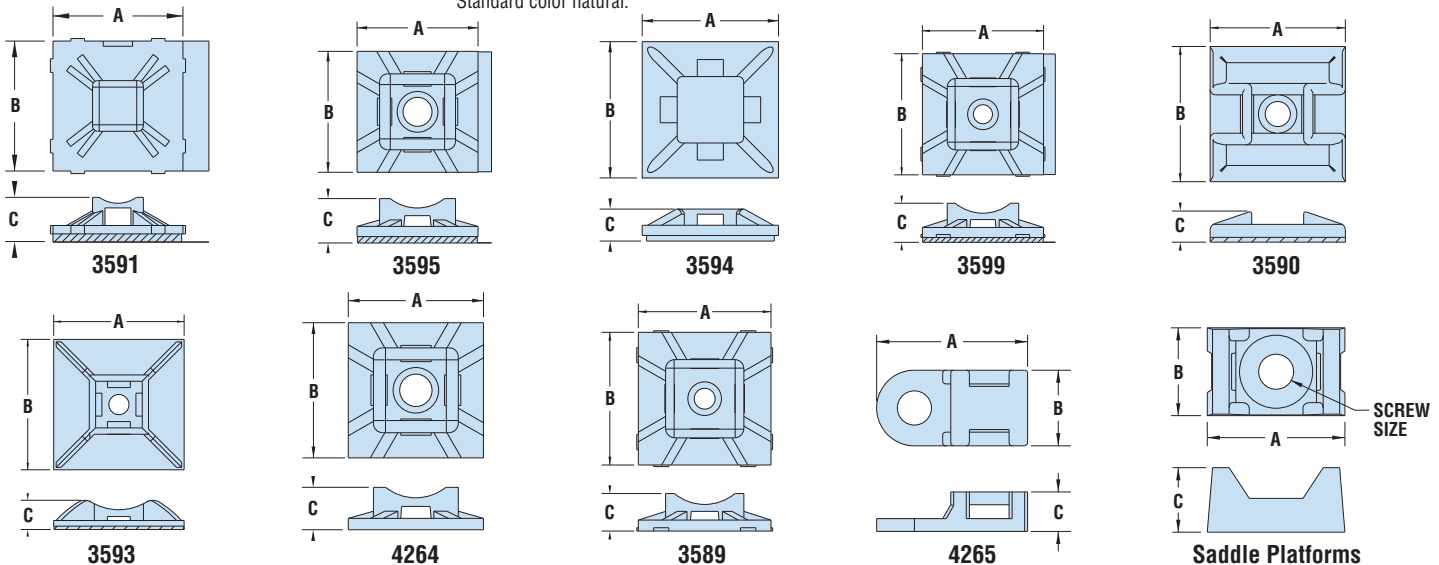
Standard color natural.

### Saddle Platforms – Screw Mount

Tensile Lbs.	Width	
	in.	mm.
18	.10	2,5
40	.14	3,6
50	.19	4,8
120	.30	7,6

MAX. TENSILE STRENGTH	SCREW SIZE	INSERT POINTS	PART NO.	DESCRIPTION	PART DIMENSIONS								
					Lbs.	N	in.	mm.	A		B		C
								in.	mm.	in.	mm.	in.	mm.
18	#4	2	<b>4269</b>	MP S-4	.51	13,0	.33	8,3	.24	6,1			
50	#8	2	<b>3759</b>	MP S-8	.60	15,2	.38	9,7	.28	7,0			
120	#10	2	<b>3753</b>	MP S-10	.87	22,2	.62	15,7	.39	9,9			

Standard color natural.



Material  
Certifications  
Flammability Rating  
Temperature Range

Nylon 6/6  
 Recognized under the Component Program of Underwriters' Laboratories File E54523 (Adhesive-Back Mount parts only)  
 94V-2  
 -32°F (0°C) to 158°F (70°C) (Rubber adhesive backed)  
 -32°F (0°C) to 167°F (75°C) (Acrylic adhesive backed)  
 32°F (0°C) to 185°F (85°C) (Non-adhesive backed)