



**Middle Atlantic Products**

EXCEPTIONAL SUPPORT & PROTECTION™

# PDW Series High Capacity Custom Power Strips



**Custom configured power strips with quick availability, and NRTL listed to UL 60950**

## Features

- Up to 20 circuits, and up to 40 receptacles
- Isolated or standard ground
- Option for common, or dedicated ground wires for each circuit
- Lengths up to 84"
- Custom terminations (top or bottom mounted)
- Choice of outlet colors: white, ivory, brown, blue, gray, orange (isolated ground only)
- Receptacles: 15 Amp, 20 Amp, 20 Amp twistlock, 30 Amp twistlock, IEC
- Laser engraved markings for circuit identification
- Custom laser engraved messaging and graphical logos on request
- Easy to use on-line configurator [www2.middleatlantic.com/pdw](http://www2.middleatlantic.com/pdw)
- Most models are made to your specifications and ship within 4 days

## Architects and Engineers' Specifications

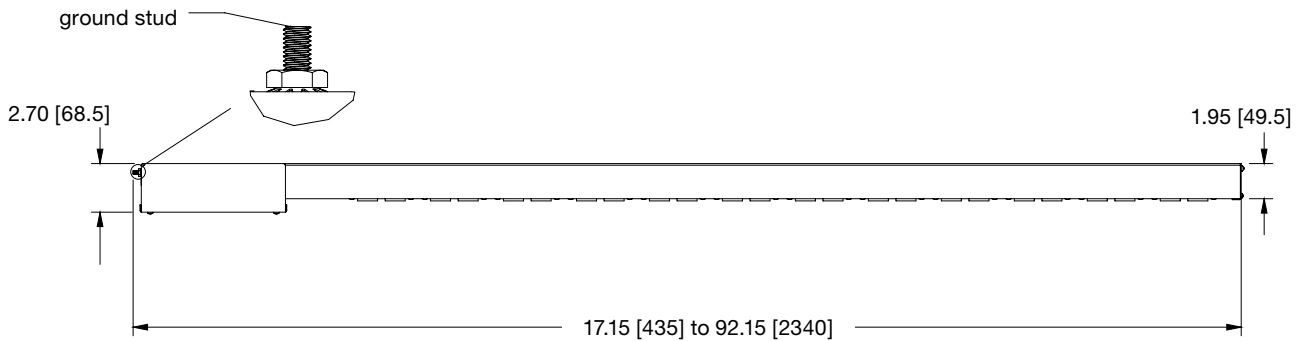
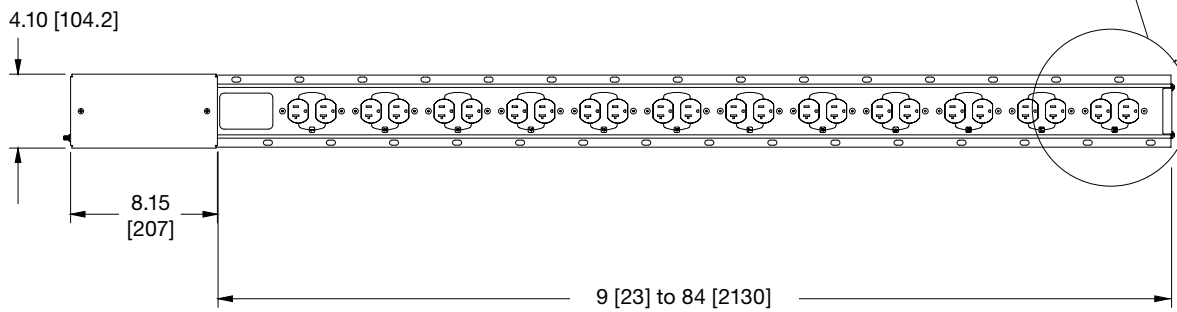
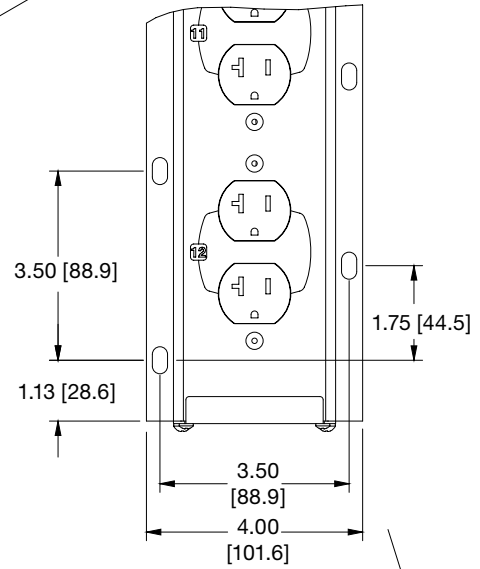
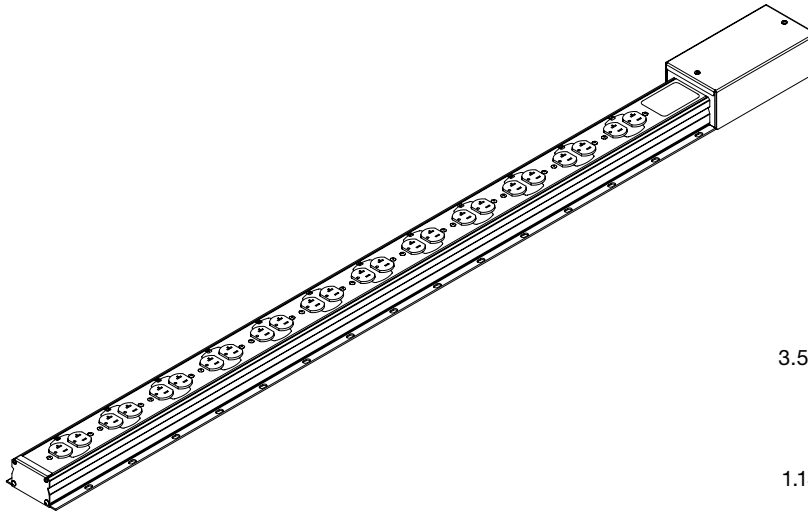
High capacity custom power strip shall be Middle Atlantic Products model # PDW- (refer to online configurator to determine part and configuration number). PDW shall be \_\_\_ long x \_\_\_ deep x 4.1" wide with \_\_\_ (from 2 to 40) receptacles and \_\_\_ NEMA or IEC receptacles \_\_\_ (isolated, non-isolated) ground with \_\_\_ (common, individual) conductors. PDW shall contain \_\_\_ (from 1 to 20) circuits. Outlets shall be \_\_\_ (white, ivory, brown, blue, gray, orange (isolated ground only)) in color and be numbered. Power connection shall be at \_\_\_ (top, bottom) Outlet ground shall face the \_\_\_ (top, bottom) feed. Power termination shall be \_\_\_ (junction box, male nipple, flexible Greenfield conduit). PDW shall comply with RoHS EU Directive 2002/95/EC. PDW shall be manufactured by an ISO 9001 and ISO 14001 registered company. PDW shall be ETL listed in the United States and Canada to UL standard 60950. PDW shall be warranted to be free from defects in material and workmanship under normal use and conditions for a period of 3 years.



96-01119 / rev 1d / 6-26-13 / PDW Series High Capacity Custom Power Strips

**CUSTOMIZABLE SPECIFICATION CLIPS AVAILABLE AT [MIDDLEATLANTIC.COM](http://MIDDLEATLANTIC.COM)**

# PDW Series High Capacity Custom Power Strips



All dimensions in inches unless otherwise noted [All dimensions in brackets are in millimeters]