

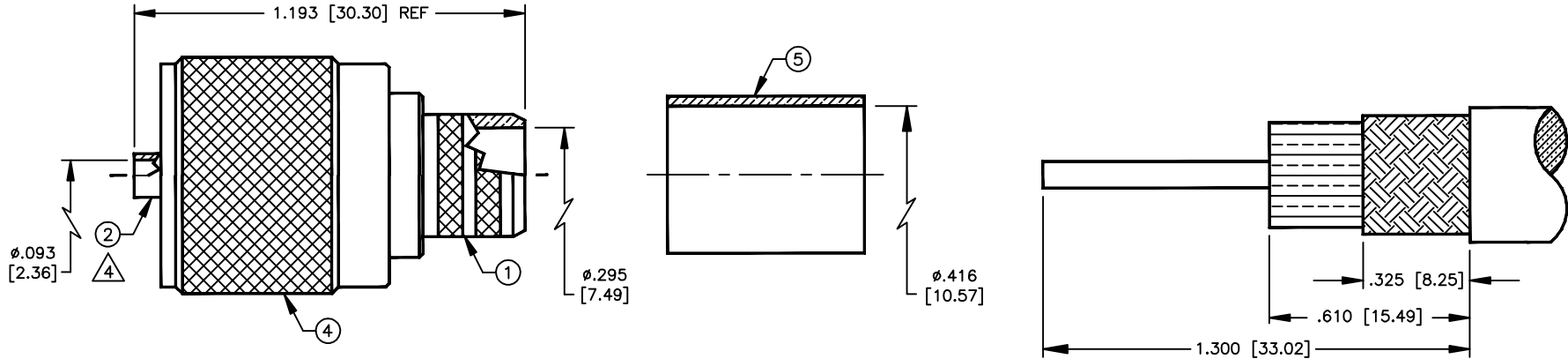
SPECIFICATION CONTROL DRAWING

THIS DRAWING CONTAINS INFORMATION PROPRIETARY TO RF INDUSTRIES, LTD. ANY UNAUTHORIZED USE OF THIS DRAWING IS EXPRESSLY PROHIBITED. ANY VIOLATION IS PUNISHABLE UNDER U.S. COPYRIGHT LAWS.

REV	DESCRIPTION	DWN	DATE	APPROVED
K	CHG FERRULE STUD DIMS & DIELECTRIC BARRIER CONFIG	KMM	8/15/94	R.RICE
L	CHANGE CONTACT END DIMENSION	KMM	8/31/95	R.RICE
M	CHANGE CONTACT ITEM #2 & DIELECTRIC ITEM #3	CZS	2/19/98	R.RICE
N	CHANGE TO KNURLED FERRULE STUD	CZS	3/10/00	J. D. McR.

ALL DIMENSIONS ARE REFERENCE ONLY

000000



SUGGESTED STRIPPING INSTRUCTIONS

CRIMP FERRULE WITH .429 CRIMP DIE

△ CRIMP CONTACT WITH .100 CRIMP DIE OR SOLDER OR BOTH

SPECIFICATIONS:

IMPEDANCE: NON CONSTANT
 WORKING VOLTAGE: 500 VRMS @ SEA LEVEL
 FREQUENCY RANGE: 0-300 GHz
 FOR RG-8, 8A, 213/U, BELDEN 8237, 8267, 9251 & 9880

DIMENSIONS ARE IN INCHES AND [MILLIMETERS]

UNLESS OTHERWISE NOTED TOLERANCES ARE:
 DECIMALS DIAMETER

RF connectors
 DIVISION OF RF INDUSTRIES, LTD.

7610 MIRAMAR RD
 SAN DIEGO, CA 92126
 (858) 549-6340
 (858) 549-6345 FAX

RFU-507-ST

UHF MALE CRIMP PLUG

5	FERRULE [FER-205]	1	BRASS	SILVER	DRAWN	
4	SHELL	1	BRASS	SILVER	C. ZUNIGA	3/10/00
3	DIELECTRIC	1	PTFE	NONE	CHECKED	
2	CONTACT	1	BRASS	SILVER	ORJ DRAWN	
1	BODY	1	BRASS	SILVER	C. JONES	11/7/91
ITEM	DESCRIPTION	QTY	MATERIAL	FINISH	APPROVALS	DATE

SIZE	CABLE GROUP	DWG NO.	REV
A	E	8058	N
SCALE: 2:1		CAD FILE	SHEET 1 OF 1