


U.I. Lapp GmbH	<b>PRODUCT INFORMATION</b>	
<b>EPIC® H-B 10 SGR</b>		05.11.2015

Housing design H-B. The industry standard.  
The smallest housing with single and double lever. The right housing is available for every application



Automation & fältinstallation



Industrial machinery and plant engineering



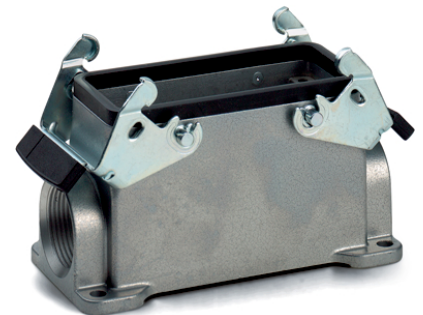
Mechanical resistance



Robust



Waterproof



### Application range

Plant engineering  
Light & sound technology  
Plastics industry

### Product features

Surface-mount base, low version  
Dual levers  
1 cable entry

### Remark

Photographs are not to scale and do not represent detailed images of the respective products.

### Technical Data

Material:	Housing: powder-coated aluminium alloy, grey Lever: zinc-plated steel Sealing: NBR
Protection rating:	IP 65 (latched)
Temperature range:	-40°C to +100°C, short-term up to +125°C


Product Management	Document: LAPP_PRO537EN.pdf	1 / 3
--------------------	-----------------------------	-------

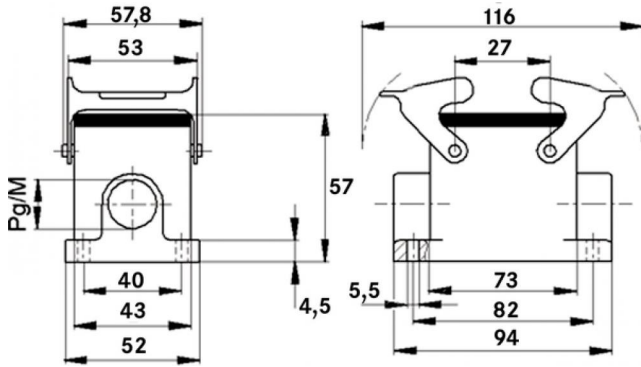


**EPIC® H-B 10 SGR**

05.11.2015

Part number	Article description	M	PG	Pieces / PU
H-B housing: surface-mount base (1 cable entry, double lever)				
10034000	H-B 10 SGR 16		16	10
19034000	H-B 10 SGR M20	20		10
19034100	H-B 10 SGR M25	25		10

U.I. Lapp GmbH	<b>PRODUCT INFORMATION</b>	
<b>EPIC® H-B 10 SGR</b>		05.11.2015



Product Management	Document: LAPP_PRO537EN.pdf	3 / 3
--------------------	-----------------------------	-------