

U.I. Lapp GmbH	<b>PRODUCT INFORMATION</b>	
	<b>EPIC® H-B 32 TG</b>	05.11.2015

Housing design H-B for 2 inserts.  
Two inserts in one housing. With two levers for high safety



### Application range

Plant engineering  
Control engineering  
Plastics industry

### Product features

Hood  
Bolts for double lever  
Straight cable entry  
Versions with / without neck

### Remark

Photographs are not to scale and do not represent detailed images of the respective products.

### Technical Data


Material:	Housing: powder-coated aluminium alloy, grey Lever: zinc-plated steel Sealing: NBR
Protection rating:	IP 65 (latched)
Temperature range:	-40°C to +100°C, short-term up to +125°C

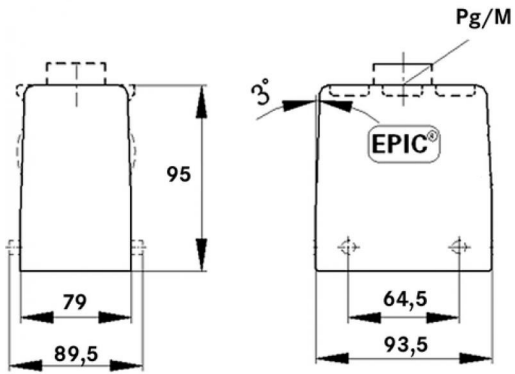


Product Management	Document: LAPP_PRO110302EN.pdf	1 / 3
--------------------	--------------------------------	-------



Part number	Article description	M	PG	Neck	Pieces / PU
H-B housing: hood (straight cable entry, bolts for double lever)					
10133000	H-B 32 TG 21		21	yes	5
10134000	H-B 32 TG 29		29	yes	5
19134000	H-B 32 TG M32	32			5
19134400	H-B 32 TG M40	40			5

U.I. Lapp GmbH	<b>PRODUCT INFORMATION</b>	
	<b>EPIC® H-B 32 TG</b>	05.11.2015



Product Management	Document: LAPP_PRO110302EN.pdf	3 / 3
--------------------	--------------------------------	-------