

1. CONDUCTOR (2):

- 1.1 Size and Material: 10 105/30 27% nickel-plated copper wire.
- 1.2 O.D.: .120" nom.

2. INSULATION:

- 2.1 Spiral-wrapped mica tapes.
- 2.2 Braided fiberglass yarn impregnated with a PTFE saturant to minimize fraying.
- 2.3 Marker tape under the braid: "E76475 (>R)U AWM 5107 10 AWG LL37586 CSA I A/B FT1 600V 450°C"
- 2.4 O.D.: .210" nom.
- 2.5 Color code: tan, tan/black.

3. JACKET:

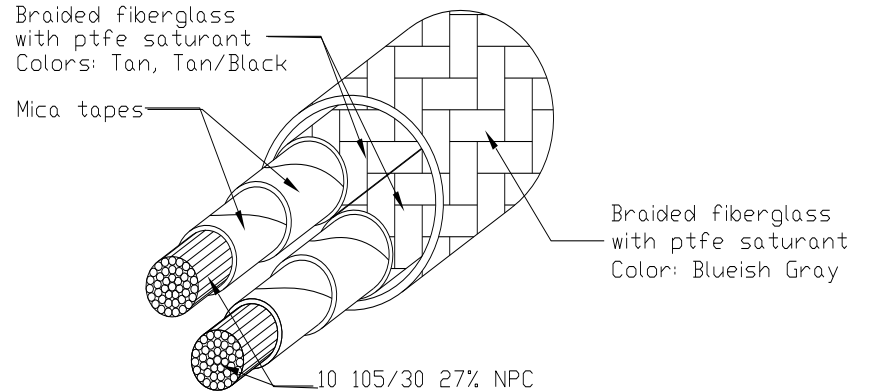
- 3.1 Braided fiberglass yarn impregnated with a PTFE saturant to minimize fraying over the two conductors laid in parallel.
- 3.2 O.D.: .415" nom.
- 3.3 Color: blueish gray.

4. PERFORMANCE:

- 4.1 Voltage rating: 600 VAC R.M.S.
- 4.2 Temperature rating: 450°C


5. REFERENCES:

- 5.1 UL Subject 758 (AWM), Style 5107.
- 5.2 CSA Standard C22.2 No.210.2 (AWM), Class I Group A/B.



CUSTOMER APPROVAL

Sign: _____
Date: _____

Engineering Change Notice No.							This specification is the property of Harbour Industries Canada Limited and may not be used or copied without the express written permission of Harbour Industries Canada Limited.	Done: <i>David Cote</i>	 1365, boul. Industriel, Farnham, Quebec, Canada, J2N 2X3 Phone: (450) 293-5304 Fax: (450) 293-2421 Web site: www.harbourind.com			
						Date: January 20, 2010		Description: 2<MGT600 10105/30M>GB T-T0/8				
						Verified: <i>David Cote</i>						
						Date: January 20, 2010						
UNCONTROLLED DOCUMENT A later revision of this specification may exist.								Size: A	Scale: ---	Page: 1 of 1	Code Ident. No: 57104	Specification No.: F04975-S