



From AlphaWire

# ALPHA WIRE

Part Number: 15-1008

Issue: A

Page 1 of 1 Pages

Issue Date: 6/8/2015

## Cable Specification

**Component 1** 1 PAIR  
Conductor: 14 (41/30) AWG BC  
Insulation: 0.015" Wall, Nom. PVC  
 Color Code: Black, Red.  
Shield: AM Foil Tape, 25% Overlap, Min. Foil Facing Out.

**Component 2** 1 PAIR  
Conductor: 22 (19/34) AWG TC  
Insulation: 0.032" Wall, Nom. FPE  
 Color Code: Black, Red.  
Shield: AM Foil Tape, 25% Overlap, Min. Foil Facing Out.

**Final Assembly** 2 Components Common Axis Cabled  
Shield: TC BRAID Shield, 85% Coverage, Min.  
Jacket: 0.035" Wall, Nom., PVC  
 Jacket OD: Nom. 0.341"  
 Jacket Color: BLACK

### Approvals

UL: NONE  
 CSA: NONE  
 MIL: NONE  
 CE Compliant: YES  
 ROHS Compliant: YES  
 REACH Compliant: YES

### Miscellaneous

Temperature: 90 C  
 Voltage: 300 V<sub>RMS</sub>  
 Put Ups: 1000 FT PUTUP  
 Requested Quantity: 5000Ft.

### Application Notes

Component2:  
 a. Impedance: 120 Ω/Mft ±15%  
 b. Capacitance: 11.3 pF/ft  
 c. DC Resistance: 14.7 Ω/Mft @ 20°C

Cable: common axis cabling, no Markings.

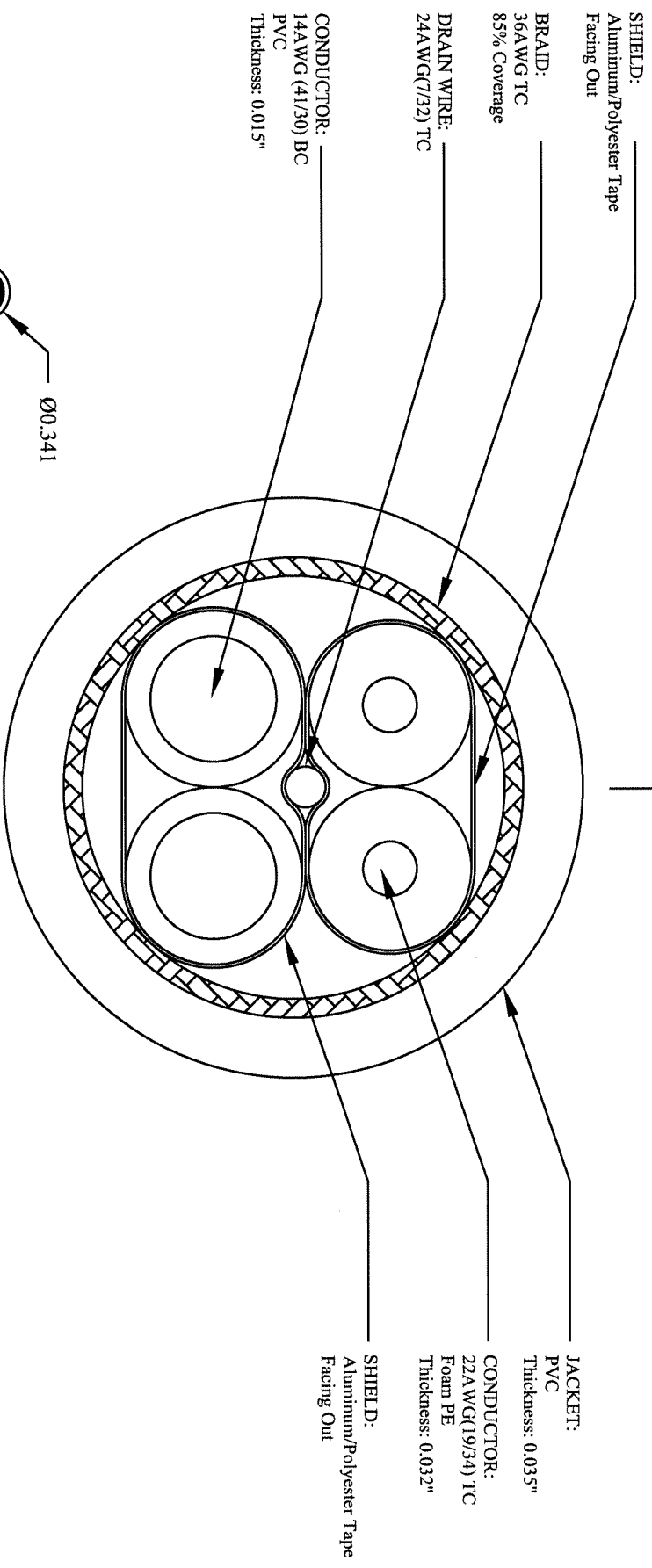
Quote 145080  
REVISED 07

CUSTOM PRODUCTS ARE NON-CANCELLABLE & NON-RETURNABLE EXCEPT FOR MANUFACTURING DEFECTS

### PROPRIETARY NOTICE

This document and any other data disclosed herein is the sole property of Alpha Wire and may not be reproduced, used or disclosed in part or in whole without the written consent of Alpha Wire. Please note that Alpha Wire does not warrant the specifications or designs developed with regard to Form, Fit, or Functionality for any specific end use application, and that the suitability of such and any future liability associated with the manufactured items is the sole responsibility of the end user.

REVISIONS			
REV	DESCRIPTION	DATE	APPROVED



This document contains information that is proprietary to Alpha Wire. This information shall not be duplicated, used, or disclosed in whole or in part for any purpose without the express written consent of Alpha Wire.

We have reviewed this document and find it accept as detailed.

Signature: \_\_\_\_\_ Date: \_\_\_\_\_  
 Name (Print): \_\_\_\_\_  
 Title: \_\_\_\_\_  
 Company: \_\_\_\_\_



Alpha Wire  
 711 Lidgerwood Avenue  
 Elizabeth, NJ 07207-0711  
 www.alphawire.com

15-1008  
 1Pr 22AWG 1Pr 14AWG SHIELDED CABLE

**Part Number 15-1008**

SIZE	Issue Date:	DWG NO.	REV
A	06/08/2015	15-1008	1
SCALE 10:1	LLI	SHEET	1 of 1