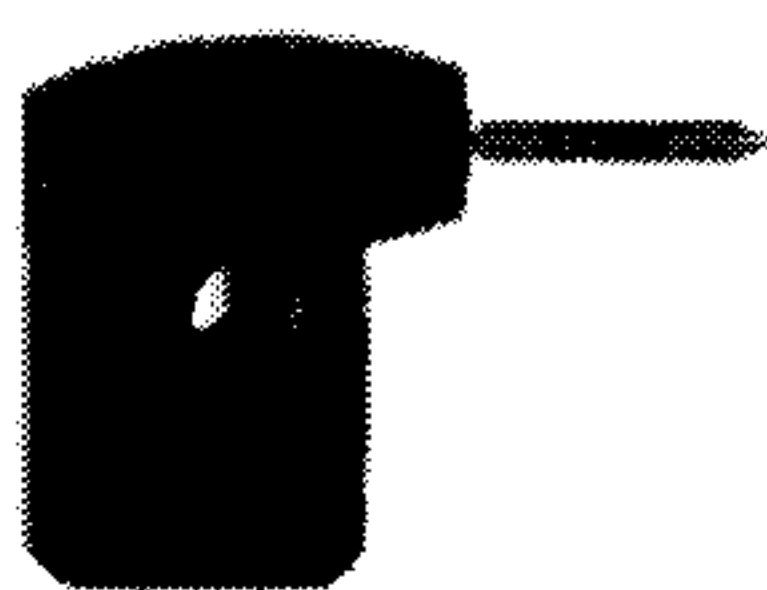


METER PLUGS & BANANA PLUGS

METER TIP PLUG

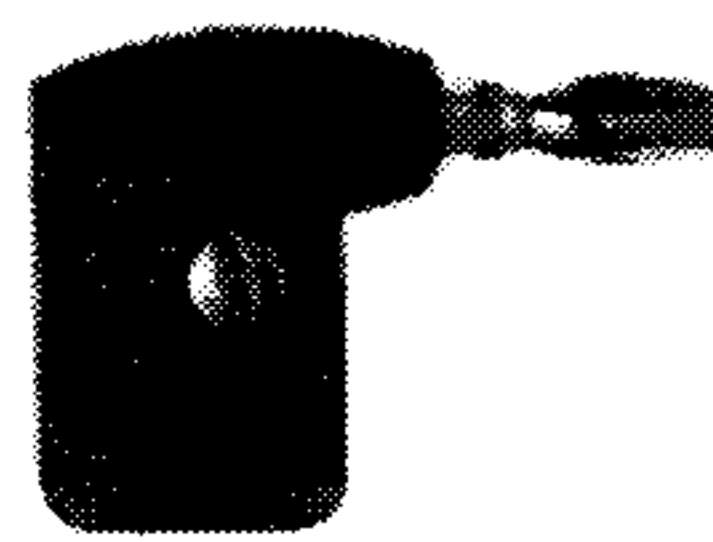
Molded plastic handle retains plug. Rated 12 AMPS A.C. Nut and screw supplied for assembly. Fits standard Phone Tip Jacks.



01-2125-1-0210 (BLACK)
01-2125-1-0212 (RED)

METER BANANA PLUG

Molded plastic handle retains plug. Nickel plated beryllium copper spring insures positive contact. Rated 10 AMPS A.C. Nut and screw supplied for assembly. Fits standard Banana Jacks.



01-2126-1-0210 (BLACK)
01-2126-1-0212 (RED)

01-2002-1-02XX BANANA PLUG INSULATED

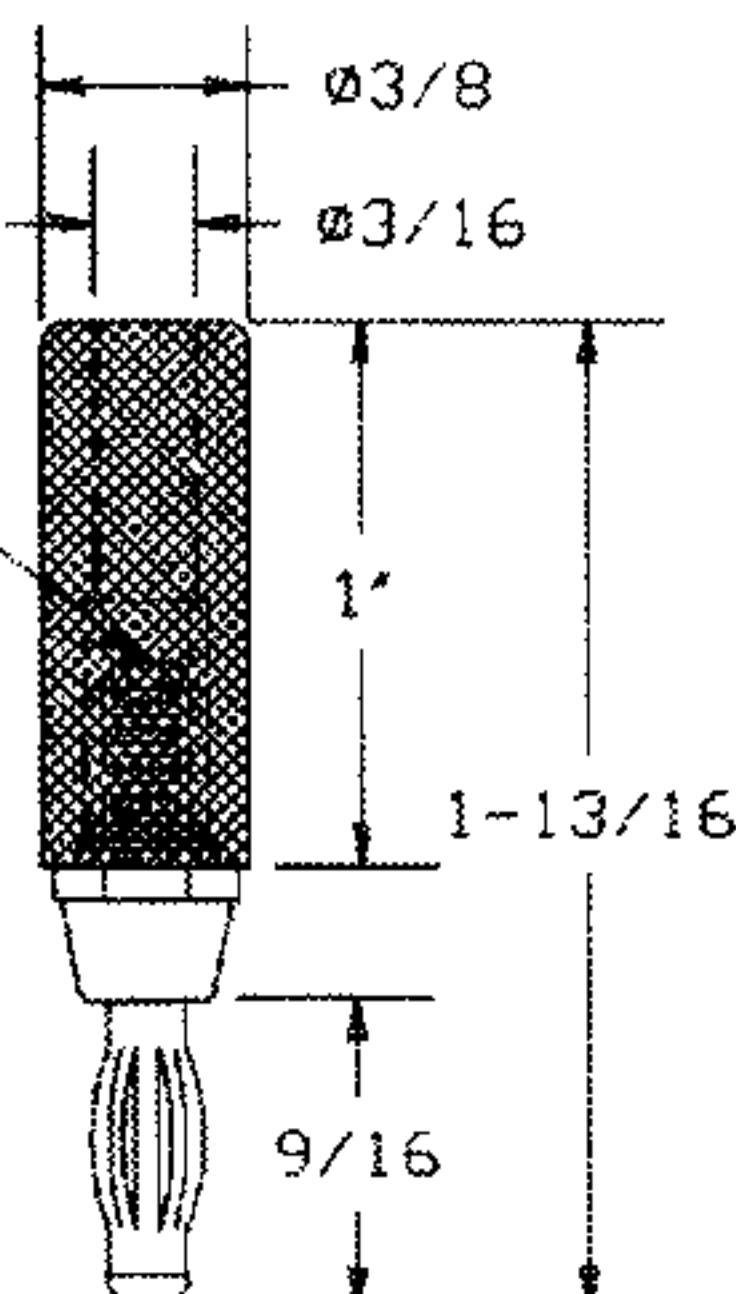
FINISH COLOR

RATED FOR 15 AMPERES CONTINUOUS DUTY

Standard size spring for standard size banana jacks. Brass stud locks wire in place or wire can be directly soldered into rear of plug body. Available in colors. (see color chart below)



STUD 5/32
HEX. BRASS



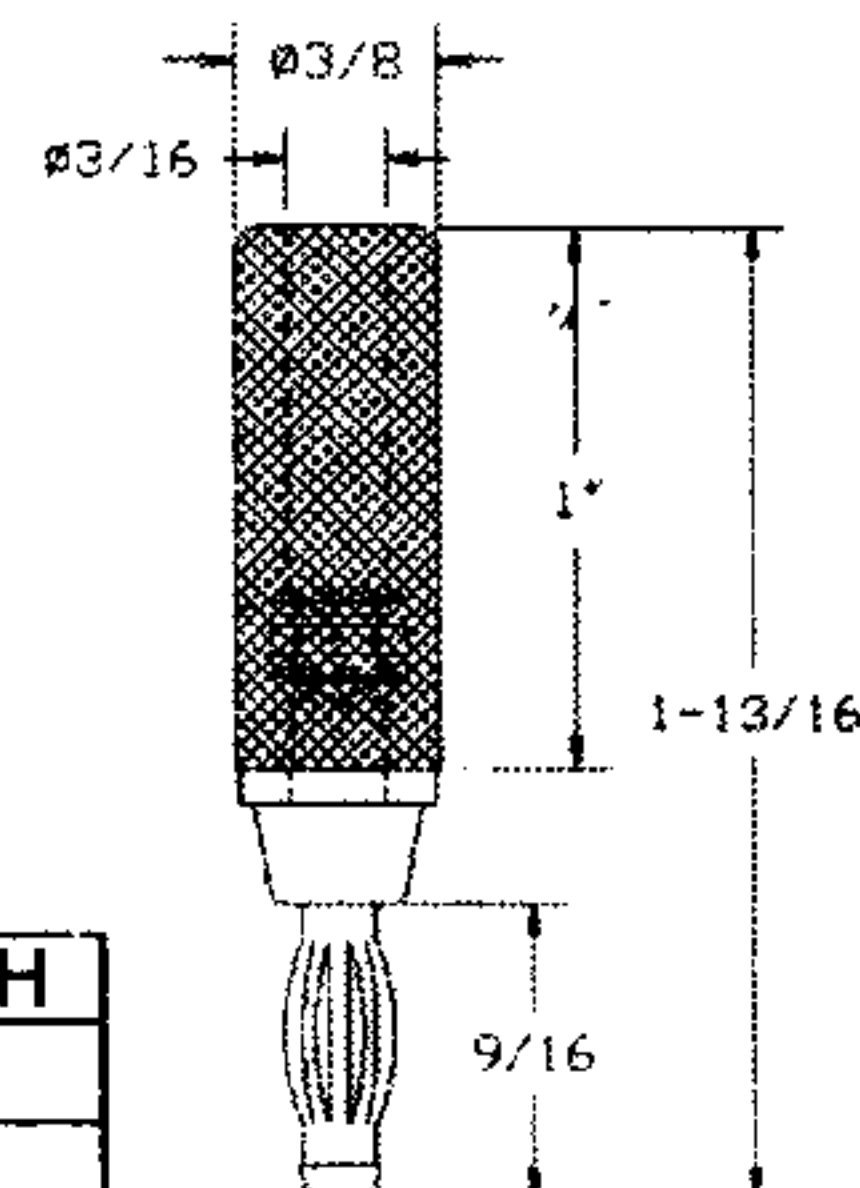
COMPONENT	MATERIAL	(02)FINISH
Plug Body	Brass	Nickel
Spring	Beryllium Copper	Nickel
Handle	Molded Plastic	-
Stud	Brass	Tin

01-2016-1-02XX BANANA PLUG INSULATED

FINISH COLOR

RATED FOR 15 AMPERES CONTINUOUS DUTY

Standard size spring for standard size banana jacks. Wire is inserted thru rear and cross holes and wrapped around plug body for solderless connection. Available in colors. (see color chart below)



COMPONENT	MATERIAL	(02)FINISH
Plug Body	Brass	Nickel
Spring	Beryllium Copper	Nickel
Handle	Molded Plastic	-

01-2006-1-02XX BANANA PLUG INSULATED

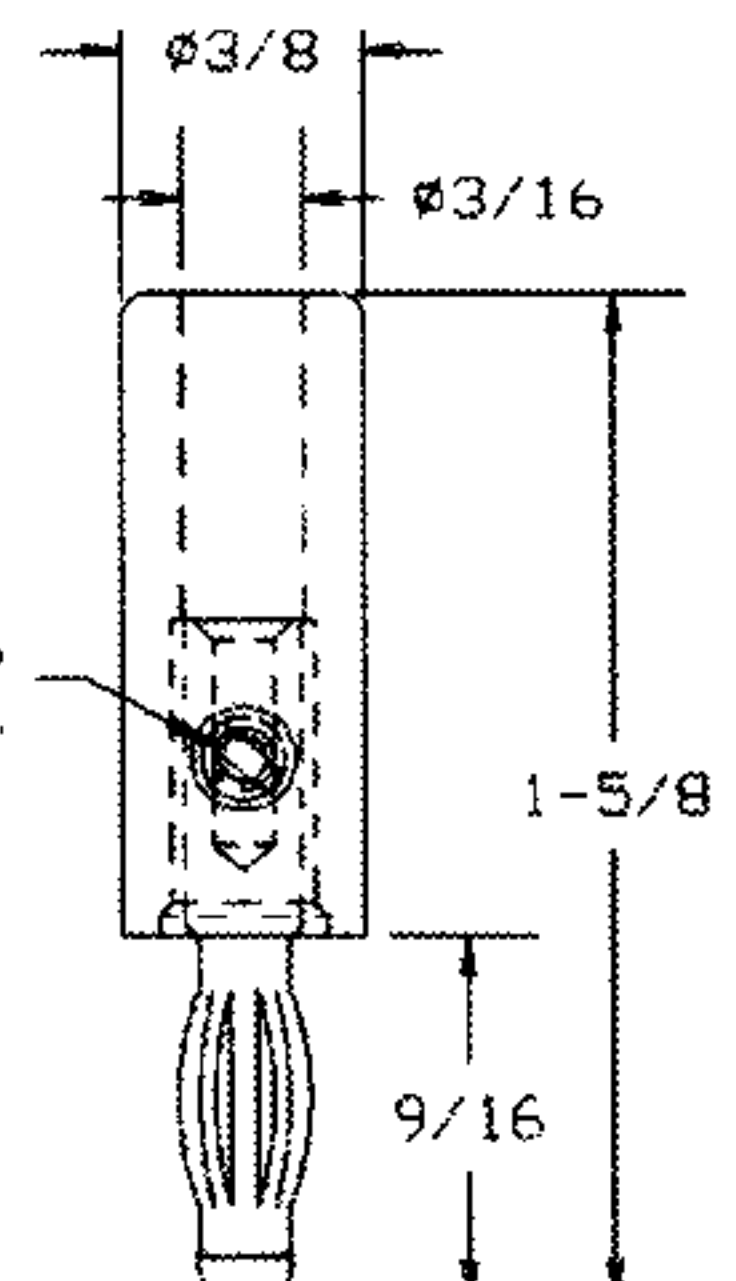
FINISH COLOR

RATED FOR 15 AMPERES CONTINUOUS DUTY

Standard size spring for standard size banana jacks. Set screw clamps wire inside plug body without soldering. Available in colors. (see color chart below)



2-56x3/16
D. H. M. S.



COMPONENT	MATERIAL	(02)FINISH
Plug Body	Brass	Nickel
Spring	Beryllium Copper	Nickel
Handle	Molded Plastic	-

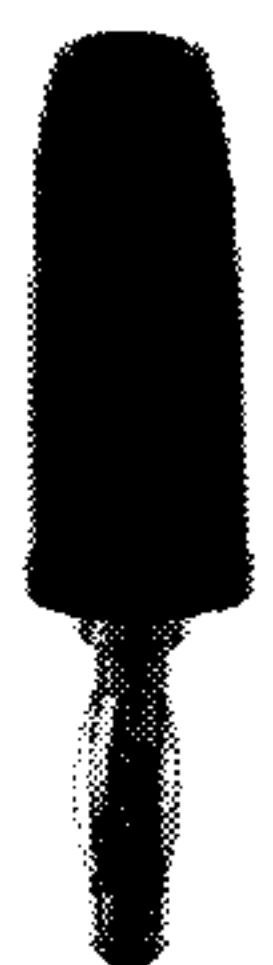
01-2050-1-02XX BANANA PLUG INSULATED

FINISH COLOR

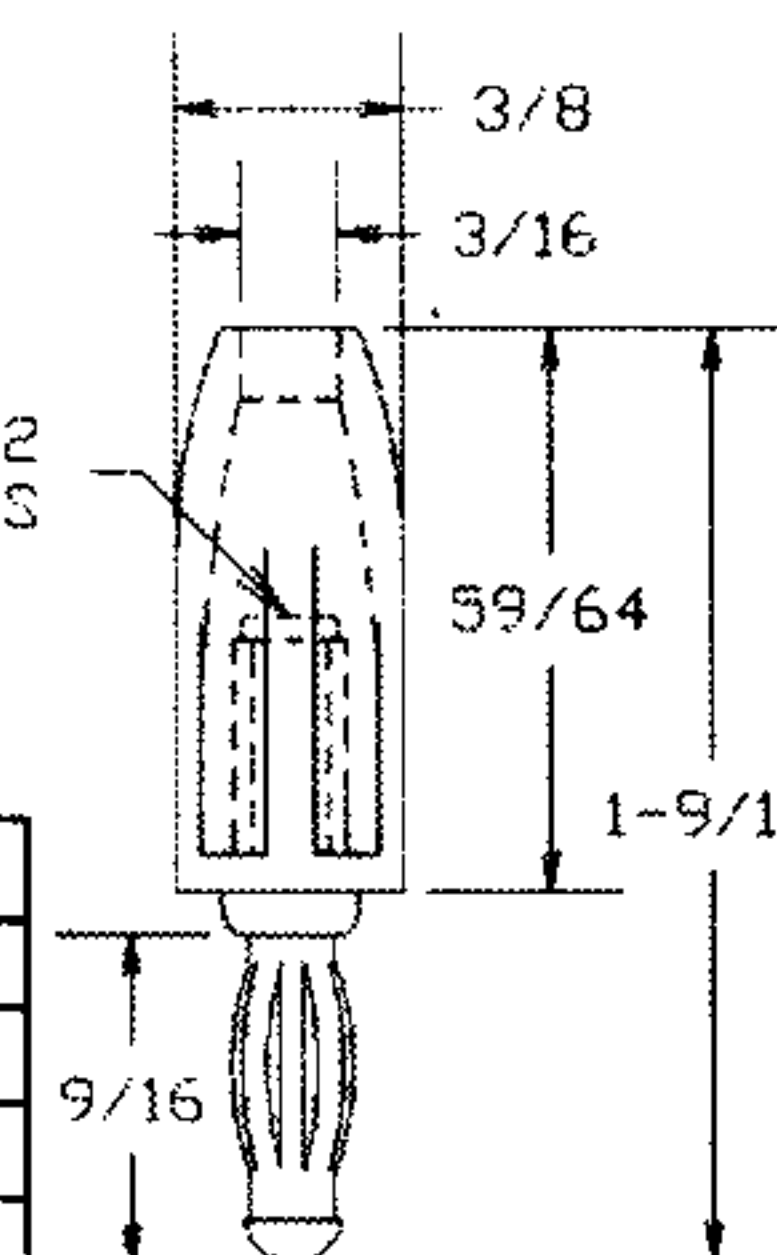
SHORT HANDLE

RATED FOR 15 AMPERES CONTINUOUS DUTY

Standard size spring for standard size banana jacks. Brass stud locks wire in place or wire can be directly soldered into rear of plug body. Available in colors. (see color chart below)



STUD 5/32
HEX. BRASS



COMPONENT	MATERIAL	(02)FINISH
Plug Body	Brass	Nickel
Spring	Beryllium Copper	Nickel
Handle	Molded Plastic	-
Stud	Brass	Tin

01-2011-1-02XX BANANA PLUG INSULATED

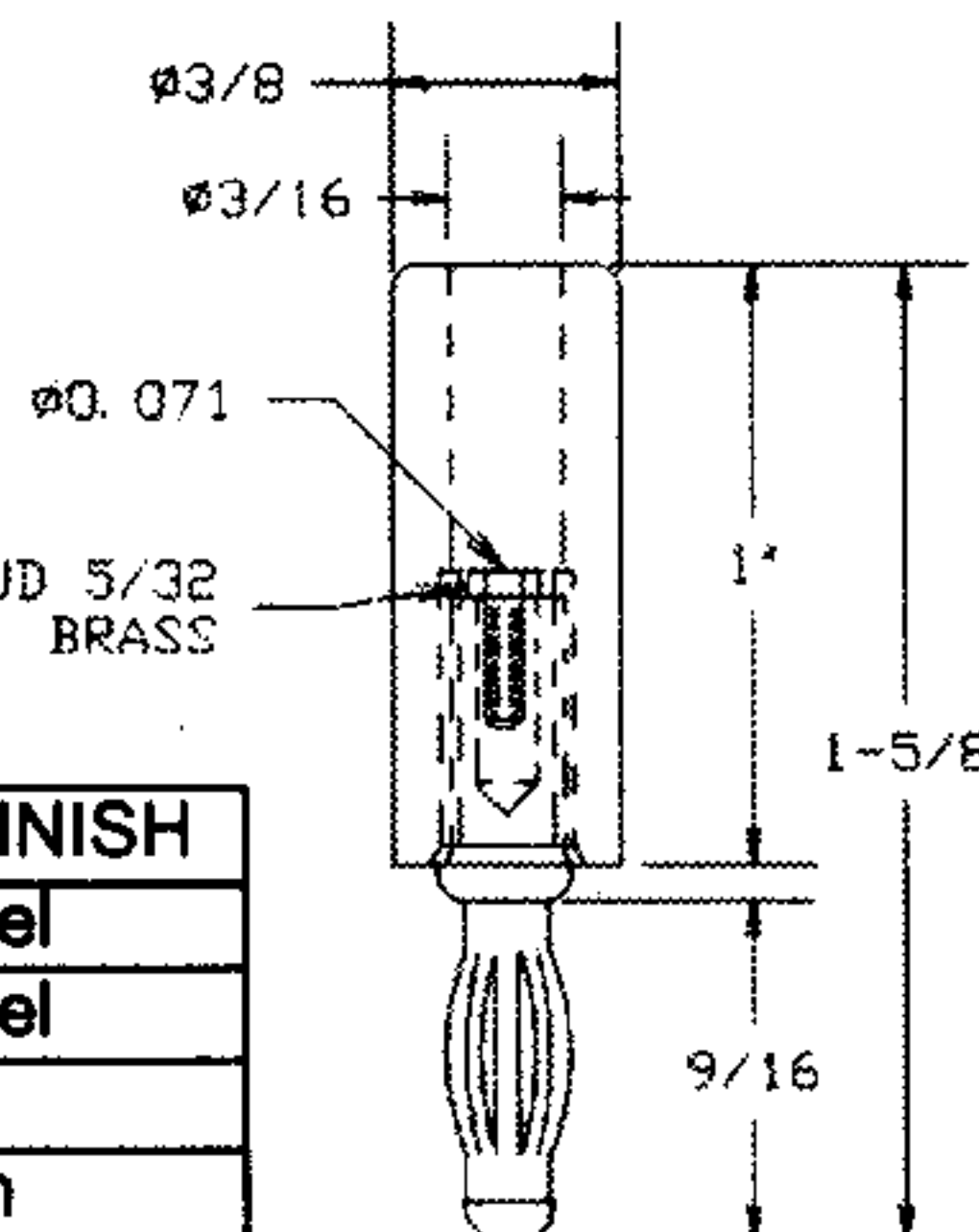
FINISH COLOR

RATED FOR 15 AMPERES CONTINUOUS DUTY

Standard size spring for standard size banana jacks. Brass stud locks wire in place or wire can be directly soldered into rear of plug body. Available in colors (see color chart below).



STUD 5/32
HEX. BRASS



COMPONENT	MATERIAL	(02)FINISH
Plug Body	Brass	Nickel
Spring	Beryllium Copper	Nickel
Handle	Molded Plastic	-
Stud	Brass	Tin

01-2071-1-02XX BANANA PLUG INSULATED

FINISH COLOR

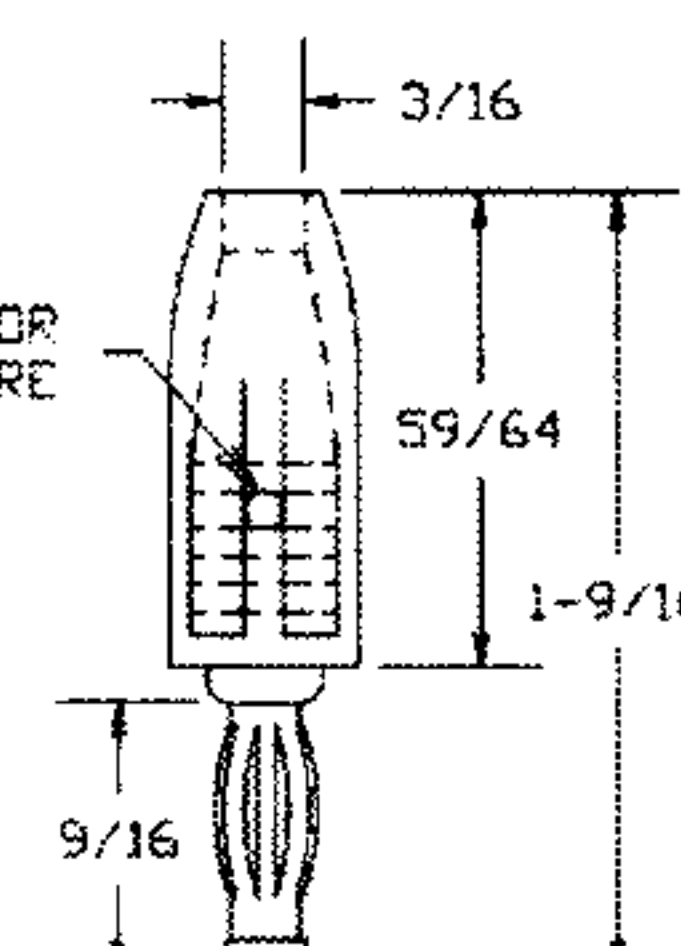
SHORT HANDLE

RATED FOR 15 AMPERES CONTINUOUS DUTY

Standard size spring for standard size banana jacks. Wire is inserted thru rear and cross holes and wrapped around plug body for solderless connection. Available in colors. (see color chart below)



HOLE FOR WIRE



COMPONENT	MATERIAL	(02)FINISH
Plug Body	Brass	Nickel
Spring	Beryllium Copper	Nickel
Handle	Molded Plastic	-

FOR ADDITIONAL SIZES AND MATERIALS, CONTACT FACTORY

BLK	BRN	RED	ORN	YEL	GRN	BLU	PUR	GRY	WHT
10	11	12	13	14	15	16	17	18	19

