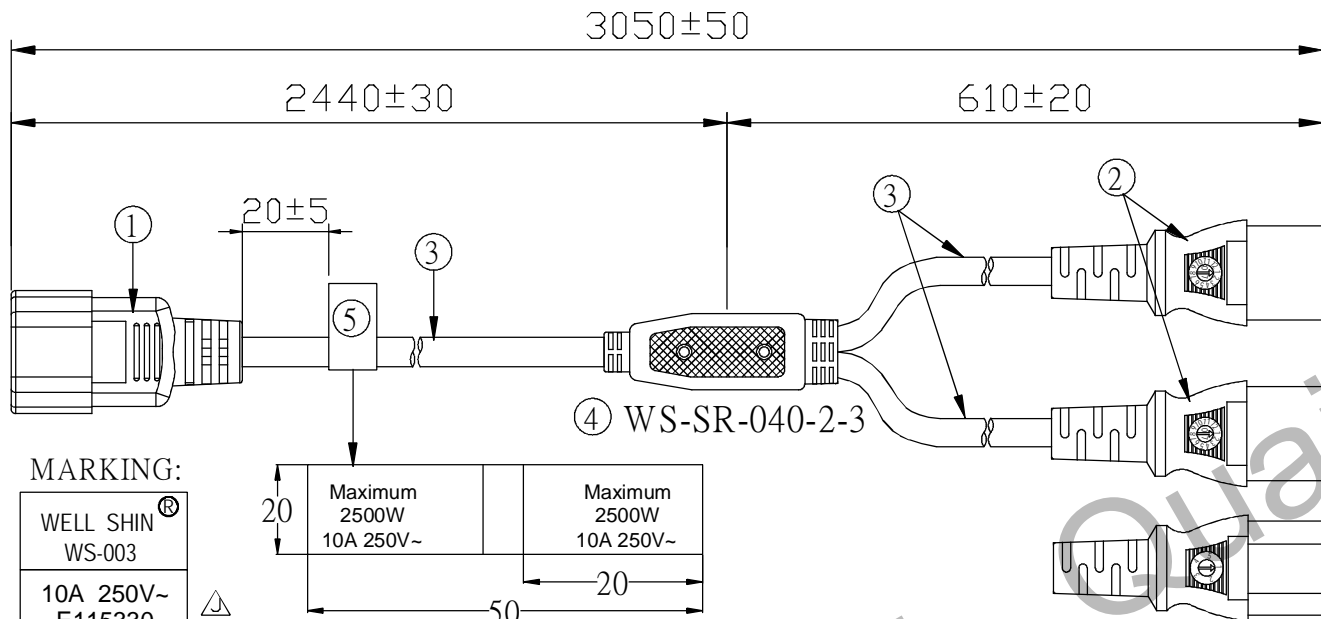
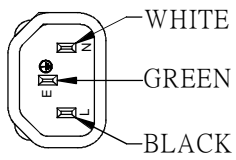
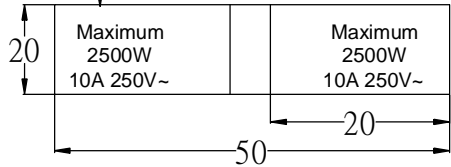
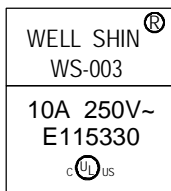


CUSTOMER:	P/N: 0201.120	REV.	APPROVED BY:
-----------	---------------	------	--------------

REVISIONS		
REV.	DESCRIPTION	DATE
△		07.04.12
△		09.07.14
△		2010.10.15
△		2012/01/18
△		2013/04/03
△		2013/12/16
△	Updates printing head	2015/03/30

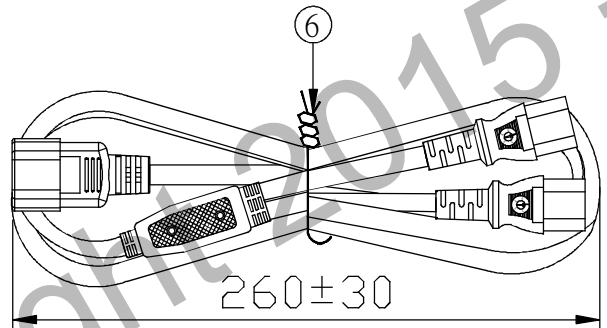
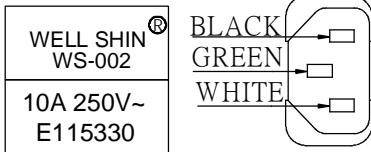


**MARKING:**



IEC-60320-C14

**MARKING:**



IEC-60320-C13 X 2

**NOTES:**

1. CHANGHUA PRODUCTION FROM "F VERSION" START CHANGHUA MANUFACTURE OF WIRE HAVE CSA SAFETY
2. RoHS

ITEM	DESCRIPTION	COLOR	Q'TY
⑥	Cable tie	BLACK	1
⑤	LABEL	---	1
④	WS-SR-040-2-3	BLACK	1
③	SJTW 18AWG 3C 105°C APPROVAL :UL,C-UL(CSA)	BLACK	3
②	WS-002 10 (A) 250 (V) APPROVAL :UL,C-UL	BLACK	2
①	WS-003 10 (A) 250 (V) APPROVAL :UL,C-UL	BLACK	1

SIGNATURE		<b>QUAIL ELECTRONICS, INC.</b> <a href="http://www.quail.com">http://www.quail.com</a>	
SAFETY ENGINEER:			
MANAGER BY:		PRODUCT NO.: 003+002-1*2	DATE: 2015/04/01
CHECKED BY:		UNIT: mm	SHEET: 1 OF 1
DRAWN BY:		DWG NO: 0096-0281	
			REV. J