

1) CONSTRUCTION:		NOM. DIA.
CONDUCTOR:	18 AWG 16/30 STRANDED TINNED COPPER	.045"
INSULATION:	POLYVINYLCHLORIDE, .016" NOM. WALL THICKNESS	.077"
CABLE:	(4) COLOR CODED SINGLES TWISTED TOGETHER AND WRAPPED WITH A CLEAR POLYESTER BINDER TO FORM A CABLE CORE.	.189"
RIPCORD:	INCLUDED UNDER JACKET FOR STRIPPING	
JACKET:	POLYVINYLCHLORIDE, CHROME GRAY, .032" NOM. WALL THICKNESS. OVER ALL CABLE DIAMETER	.253"

2) PHYSICAL PROPERTIES:	
TEMPERATURE RATING, MAX.	105°C
TEMPERATURE RATING, MIN.	-20°C
WT./M', NOM., NET.	41.6 LBS.

3) ELECTRICAL CHARACTERISTICS:	
CAPACITANCE, MUTUAL, NOM.	25 PF/FT.
DIELECTRIC WITHSTANDING, MIN. VOLTAGE RATING, MAX.	2000V RMS 600V
D.C. RESISTANCE, MAX. PER ASTM B286	7.15 Ω/1,000'

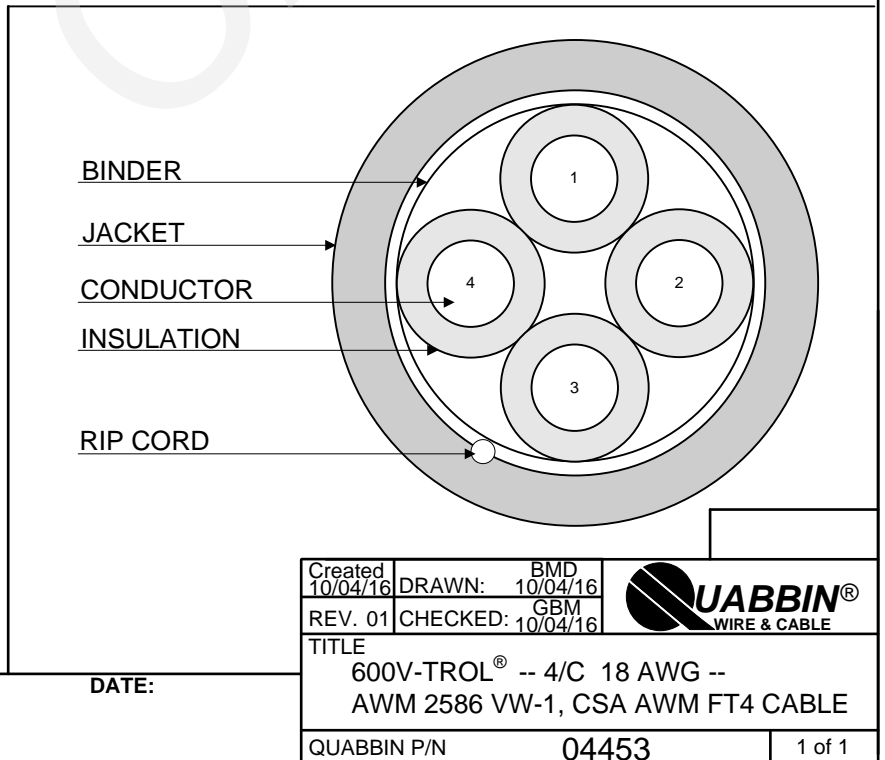
4) AGENCY APPROVALS:
UL AWM STYLE 2586
CSA AWM FT4

5) APPLICATION:
INDUSTRIAL CONTROLS, MEDICAL ELECTRONICS AND OTHER APPLICATIONS WHERE A COMPACT 600V RATED CABLE IS REQUIRED. RoHS COMPLIANT MATERIALS.

6) PRINT:
600V-TROL® E69976 **RU** AWM 2586 VW-1 P/N 04453 -- CSA LL51726 AWM I/II A/B 105C 600V FT4 -- RoHS --
(LOT DESIGNATOR)

- 7) COLOR CODE:
1. RED
 2. BLUE
 3. BLACK
 4. GRAY

8) PACKAGING
TO BE PACKAGED AS PER QWC'S
STANDARD PACKAGING



CUSTOMER APPROVAL:

DATE: