

Price Index



Series 07

Special Features / Options



Upon request: Cleanroom Class 1 (ISO class 3) tested by the Dryden Engineering Company, CA



Flammability Class VDE 0304 IIC UL94 HB



Low-noise

Assembly Tips



"Zipper-fast" opening and closing

Usage Guidelines



- If fast, zipper-like accessibility to cables is required
- If quiet operation is required
- If aesthetic design is required
- If excellent service life is required



- If a more cost-effective, openable Energy Chain is required
%o Series B07 E2 Micro
- If cable installation without opening lids is possible
%o Series E06 E-Z Chain
- If a closed tube system is required
%o Series R07 E2 Zipper Tube

Features & Benefits

- 1 Mounting bracket with integrated strain relief
- 2 Zipper lids can be separated and joined at each link
- 3 Small pitch for low-noise and smooth operation
- 4 'Zipper-fast' opening and closing
- 5 For high acceleration
- 6 Lightweight



Order Example: Complete Energy Chain®

Please indicate chain length or number of links. Example:

3.28 ft (1 m) 07-20-038-0



Energy Chain®

1 Set 060-20-12PZ



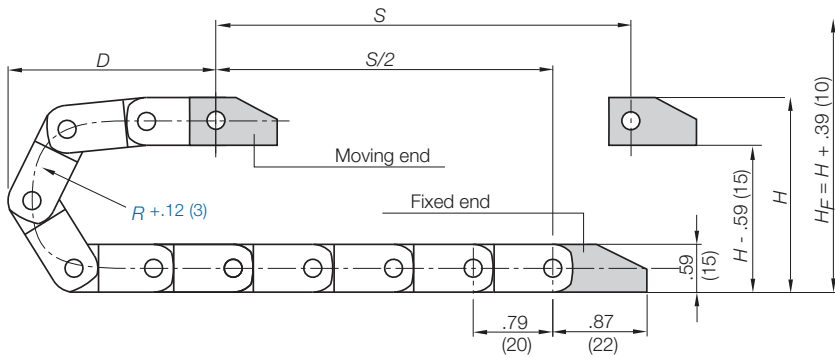
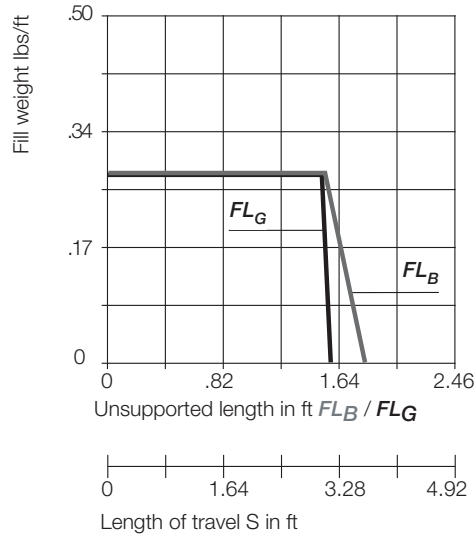
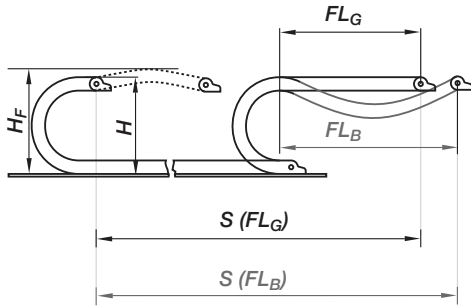
Mounting Bracket

Energy Chain System® Zipper Series 07

Installation Dimensions

Short travel, unsupported length

- FL_B = unsupported with permitted sag
 - FL_G = unsupported with straight upper run
- Further information % Design, Chapter 1



The required clearance height: $H_F = H + .39$ in. (10 mm) (with .13 lbs/ft (0.2 kg/m) fill weight). Please consult igus® if space is particularly restricted.

R	.71 (018)	1.10 (028)	1.50 (038)
H*	2.05 (52)	2.83 (72)	3.62 (92)
D	1.77 (45)	2.17 (55)	2.56 (65)
K	3.94 (100)	5.51 (140)	6.30 (160)



Short Travels - Unsupported



Unsupported Energy Chains® feature positive camber over short travels. This must be accounted for when specifying the clearance height. Please refer to **Installation dimensions** for further details.

Legend

- S = Length of travel
- R = Bending radius
- H = Nominal clearance height
- D = Overlength Energy Chain® radius in final position
- $K = \pi \cdot R + \text{safety buffer}$
- H_F = Required clearance height

Pitch per link = .79" (20 mm)
 Links per ft (m) = 15.24 (50)
 For center mount applications:
 Chain length = $S/2 + K$



PDF: www.igus.com/e-chain-pdfs
 Specs/CAD/RFQ: www.igus.com/e-chains
 RoHS info: www.igus.com/RoHS



Speed / acceleration FL_G	max. 65.6 ft/s (20 m/s) / max. 656 ft/s ² (200 m/s ²)
Speed / acceleration FL_B	max. 9.84 ft/s (3 m/s) / max. 19.69 ft/s ² (6 m/s ²)
Gliding speed / acceleration (maximum)	max. 32.8 ft/s (10 m/s) / max. 164 ft/s ² (50 m/s ²)
Material - permitted temperature	igumid G / -40°F (-40°C) up to +248°F (+120°C)
Flammability Class, igumid G	VDE 0304 IIC UL94 HB

Technical Data

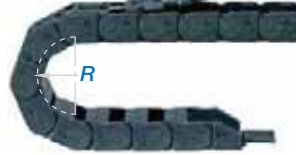
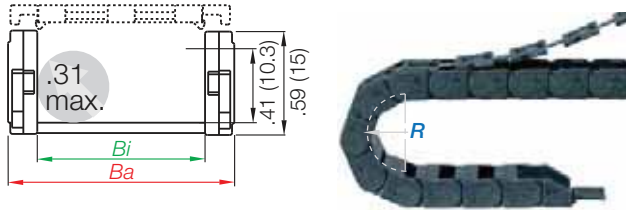


Details of material properties
 % Chapter 1

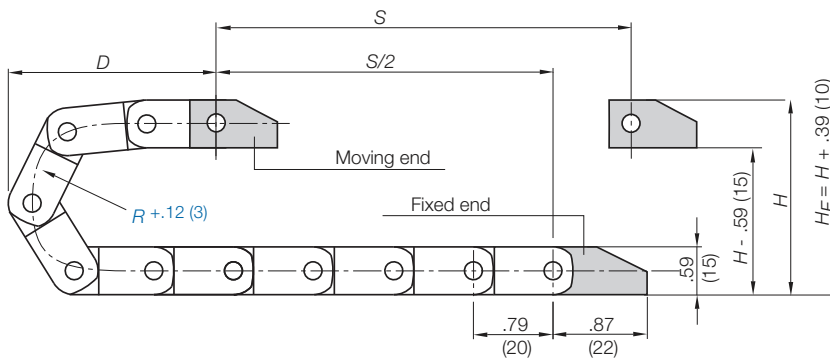
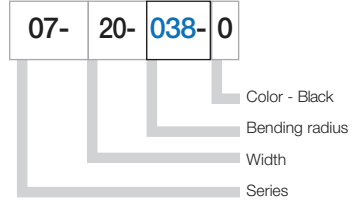
igus® Energy Chain System®

Telephone 1-800-521-2747
Fax 1-401-438-7270

Series 07 - zip open along the outer radius



Part Number Structure



Supplement part number with required radius. Example: 07-20-**038**-0
Pitch: .79 in. (20 mm) per link links/ft (m) = 15.24 (50)

Part Number	<i>Bi</i> in. (mm)	<i>Ba</i> in. (mm)	Weight lbs/ft (kg/m)
07-06- <input type="checkbox"/> -0	.24 (6)	.49 (12.5)	≈ 0.09 (0.13)
07-10- <input type="checkbox"/> -0	.39 (10)	.65 (16.5)	≈ 0.09 (0.14)
07-16- <input type="checkbox"/> -0	.63 (16)	.89 (22.5)	≈ 0.11 (0.16)
07-20- <input type="checkbox"/> -0	.79 (20)	1.06 (27.0)	≈ 0.11 (0.17)
07-30- <input type="checkbox"/> -0	1.18 (30)	1.46 (37.0)	≈ 0.13 (0.20)
07-40- <input type="checkbox"/> -0	1.57 (40)	1.85 (47.0)	≈ 0.15 (0.23)
07-50- <input type="checkbox"/> -0	1.97 (50)	2.24 (57.0)	≈ 0.17 (0.26)
07-64- <input type="checkbox"/> -0	2.52 (64)	2.80 (71.0)	≈ 0.20 (0.30)

Choose from the radii below for all of the above sizes

Radius (mm) Example: 07-20-**038**-0

	018	028	038
R	.71 (018)	1.10 (028)	1.50 (038)
H*	2.05 (52)	2.83 (72)	3.62 (92)
D	1.77 (45)	2.17 (55)	2.56 (65)
K	3.94 (100)	5.51 (140)	6.30 (160)

Internet: <http://www.igus.com>
email: sales@igus.com
QuickSpec: <http://www.igus.com/quickspec>

Energy Chain System® Zipper Series 07 Mounting Brackets

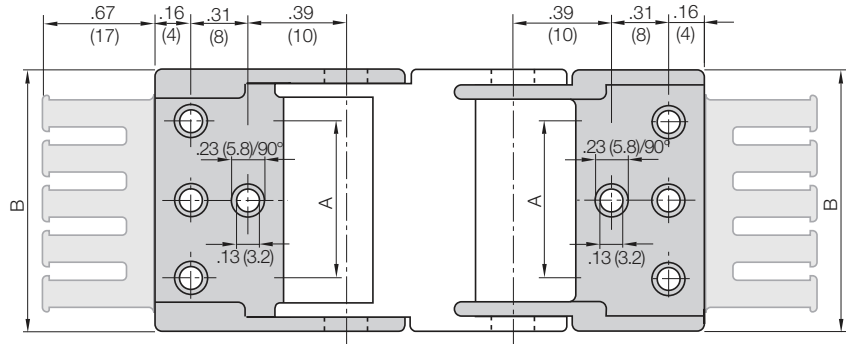
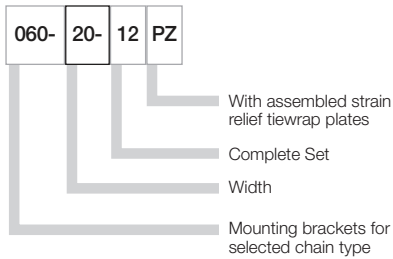


Plastic, one-piece

- One-piece mounting bracket
- Corrosion resistant
- Available preassembled
- Inner and outer attachment possible
- Available with or without integrated strain relief tiewrap plates



Part Number Structure



Full set, for both ends:

060- [20- 12] Full set, each part with pin/bore

Single-part order:

060- [20- 1] Mounting bracket with bore

060- [20- 2] Mounting bracket with pin

060-06-12 - 060-20-12:

Center bores only

060-30-12 - 060-64-12:

Outer bores only

Chain Type	Part No.	Part No.	Dimension A		Dimensions B		Number of Teeth
	Full set with Tiewrap Plate	Full Set without Tiewrap Plate	in.	(mm)	in.	(mm)	
07-06	060-06-12PZ	060-06-12	—	—	.49	(12.5)	1
07-10	060-10-12PZ	060-10-12	—	—	.65	(16.5)	1
07-16	060-16-12PZ	060-16-12	—	—	.89	(22.5)	2
07-20	060-20-12PZ	060-20-12	—	—	1.06	(27.0)	2
07-30	060-30-12PZ	060-30-12	.87	(22)	1.46	(37.0)	3
07-40	060-40-12PZ	060-40-12	1.26	(32)	1.85	(47.0)	4
07-50	060-50-12PZ	060-50-12	1.65	(42)	2.24	(57.0)	5
07-64	060-64-12PZ	060-64-12	2.20	(56)	2.80	(71.0)	6

Additional Accessories



Quicksnap - the complete, detachable mounting unit, upon request



Quickfix - mounting bracket with dowel, upon request

PDF: www.igus.com/e-chain-pdfs
 Specs/CAD/RFQ: www.igus.com/e-chains
 RoHS info: www.igus.com/RoHS

