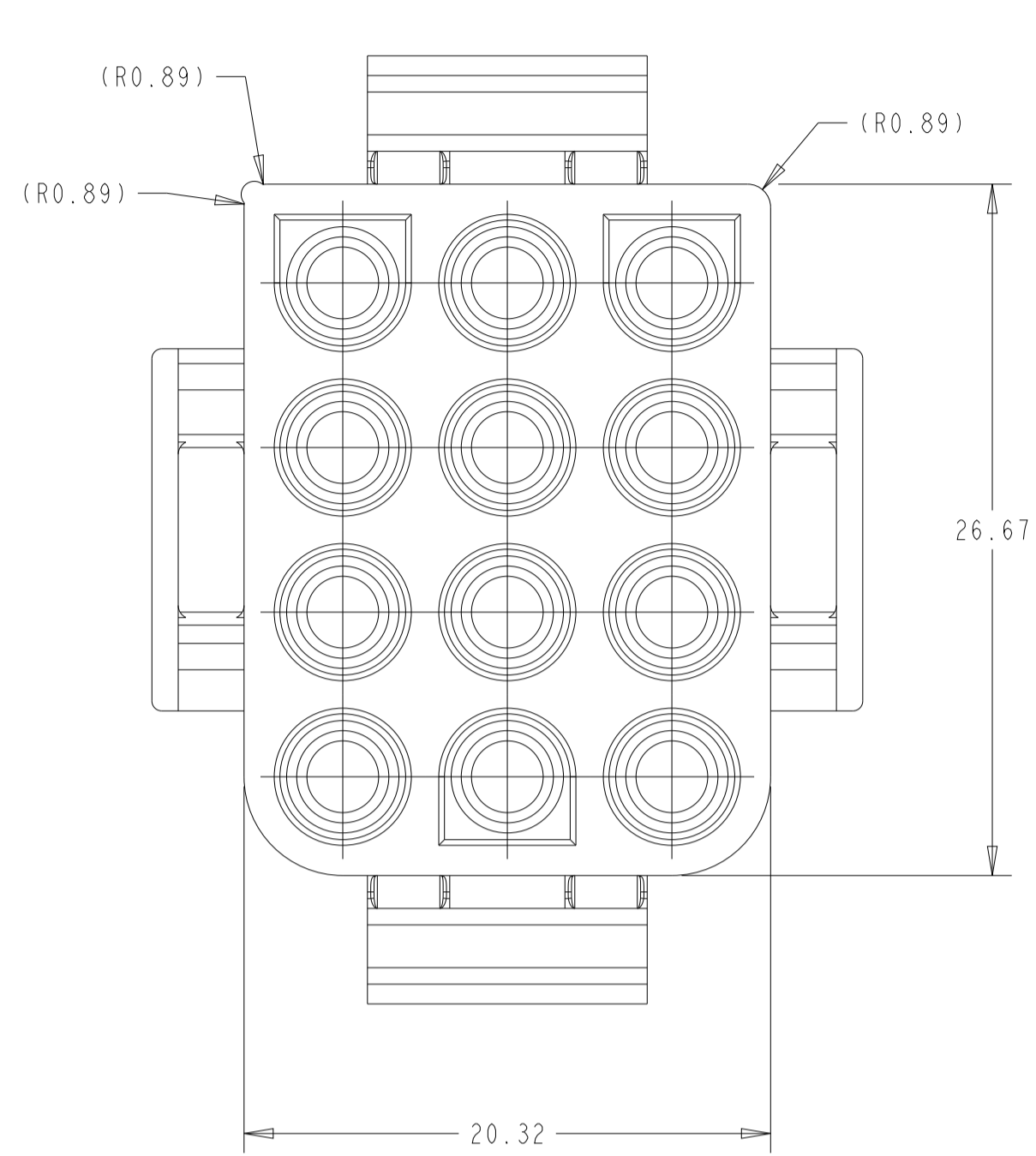
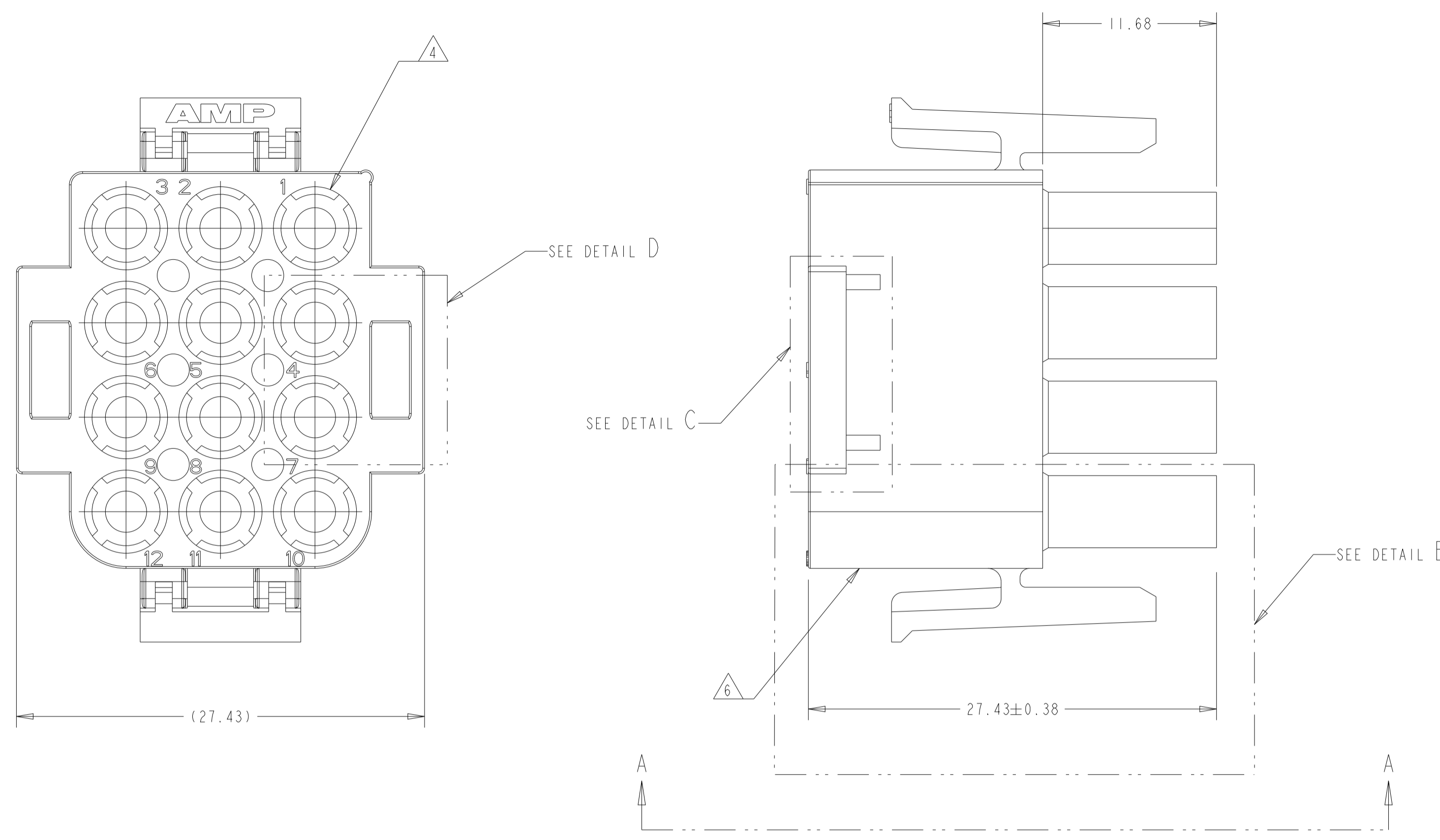
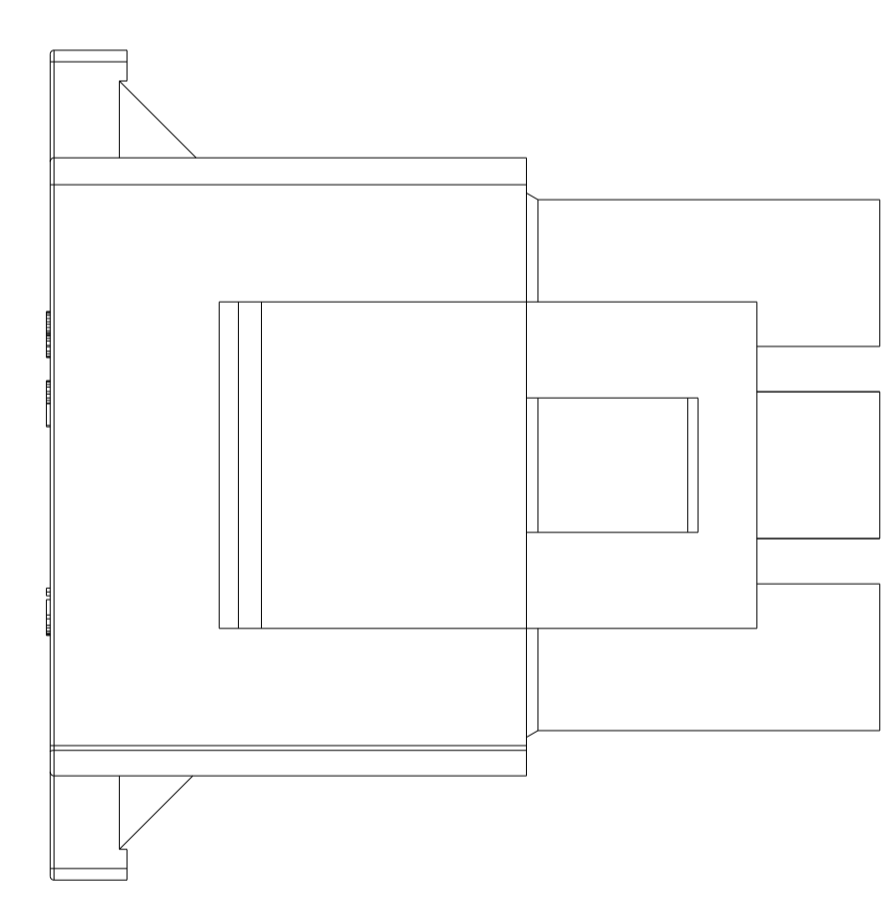


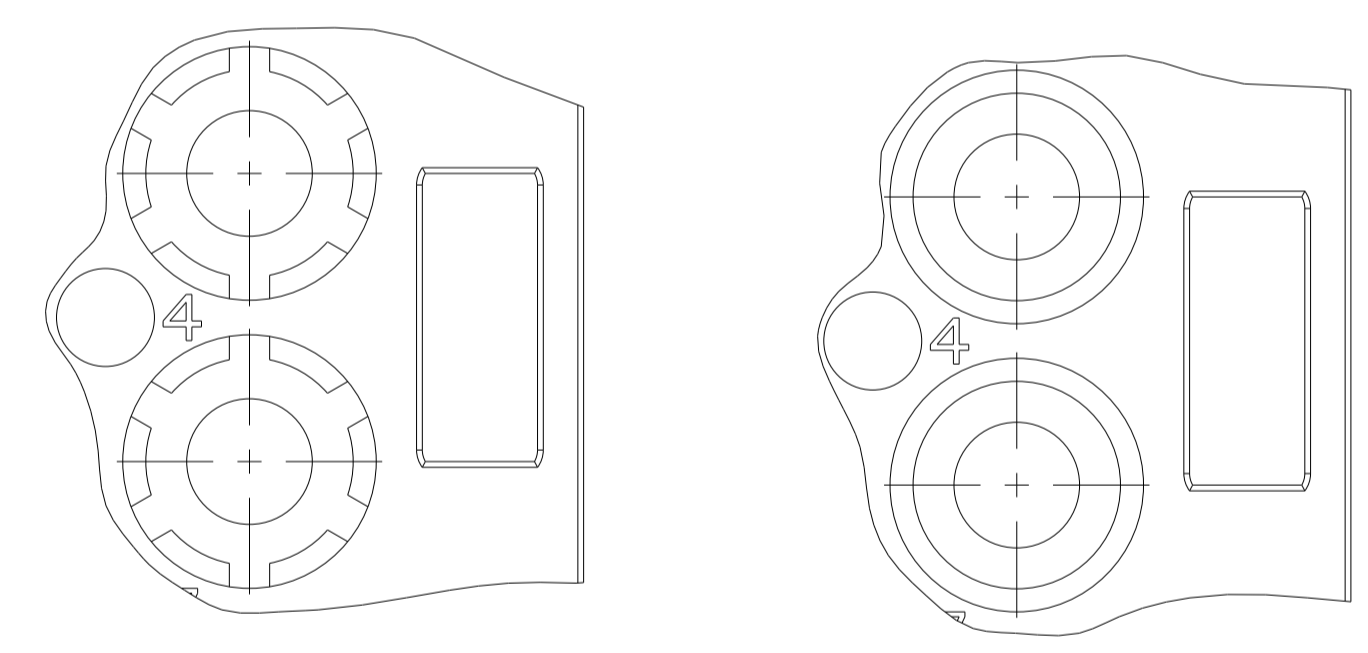
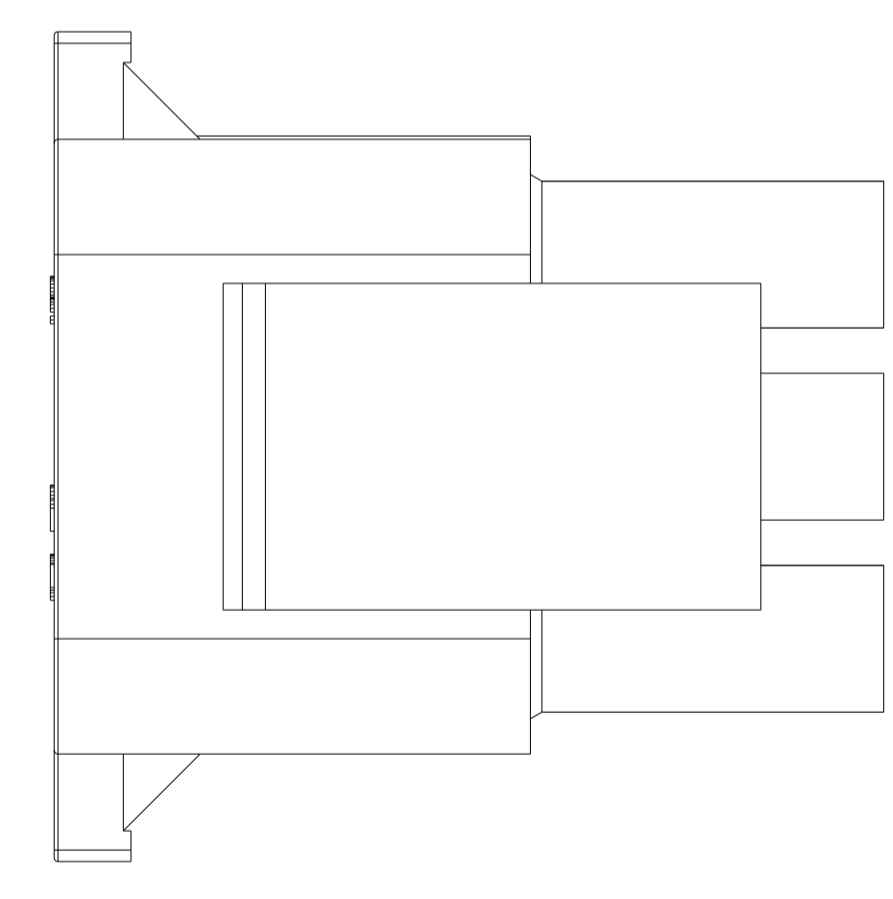
REVISIONS				
P	LTN	DESCRIPTION	DATE	APVD
W	4	REVISED PER ECR-17-006277	24MAY2017	BW KR
Y		REVISED PER ECR-21-101881	20SEP2024	AK BR
Z		REVISED PER ECR-24-222968	09OCT2024	AK BR



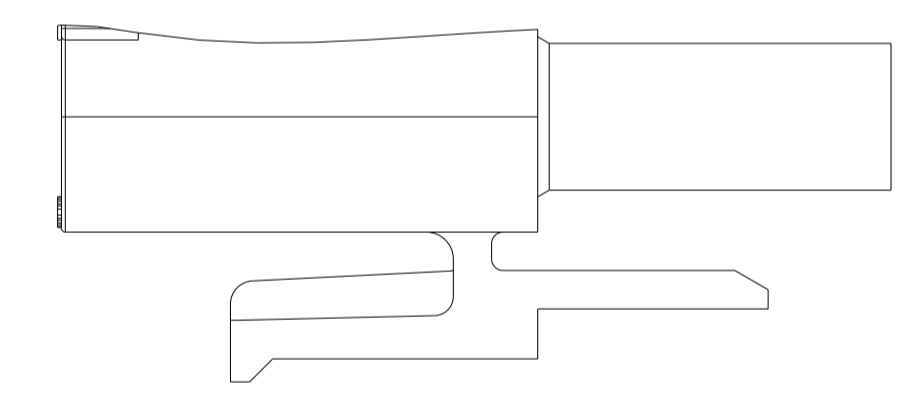
- 1 MATES WITH APPROPRIATE UNIVERSAL MATE-N-LOK™ CAP OR HEADER.
- 2 SMALL NICKS ARE PERMITTED ON THE CIRCUIT TOWERS WHICH COULD INCREASE THE INITIAL HOUSING MATING FORCE BY UP TO 4.4 NEWTONS (1.0J LBS.). NO INDIVIDUAL NICKED TOWER SHALL INCREASE THIS FORCE BY OVER 2.2 NEWTONS (0.5J LBS).
- 3 DIMENSIONS SHOWN REPRESENT PRODUCT IN DRY, AS MOLDED, CONDITION. ADDITIONAL 2% GROWTH DUE TO SUBSEQUENT MOISTURE ABSORPTION MAY OCCUR AND SHOULD BE ACCOUNTED FOR.
- 4 FOUR RIBS EQUALLY SPACED, NO SPECIFIC ORIENTATION, NO RIBS OR SIX RIBS EQUALLY SPACED, NO SPECIFIC ORIENTATION, OPTIONAL.
- 5 NOT MANUFACTURED IN U.S
- 6 UNDERWRITERS RECOGNIZED COMPONENT LOGO AND CSA CERTIFICATION LOGO TO BE LOCATED ONCE ON EACH SIDE OF HOUSING..



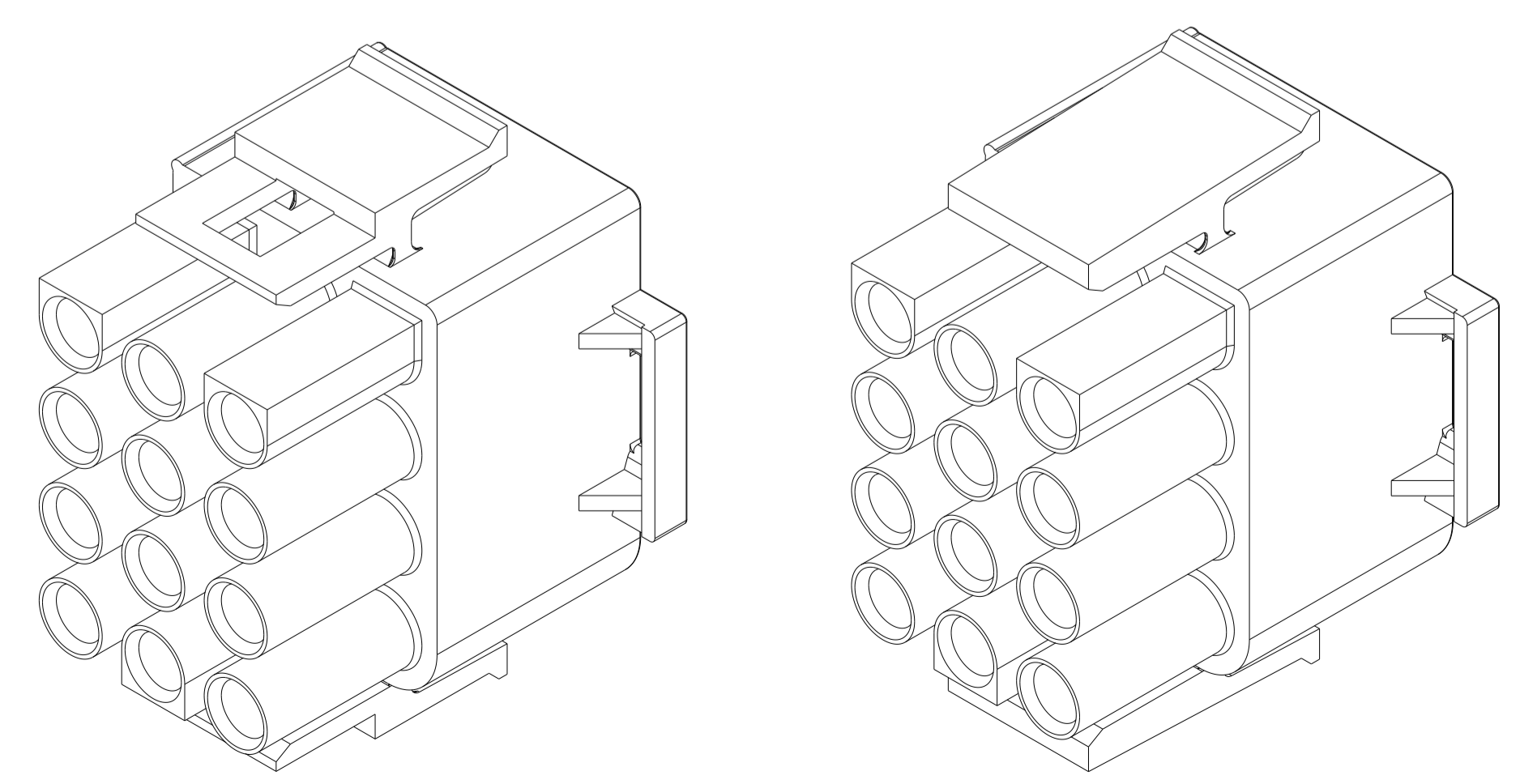
VIEW A-A
350735-4 ONLY



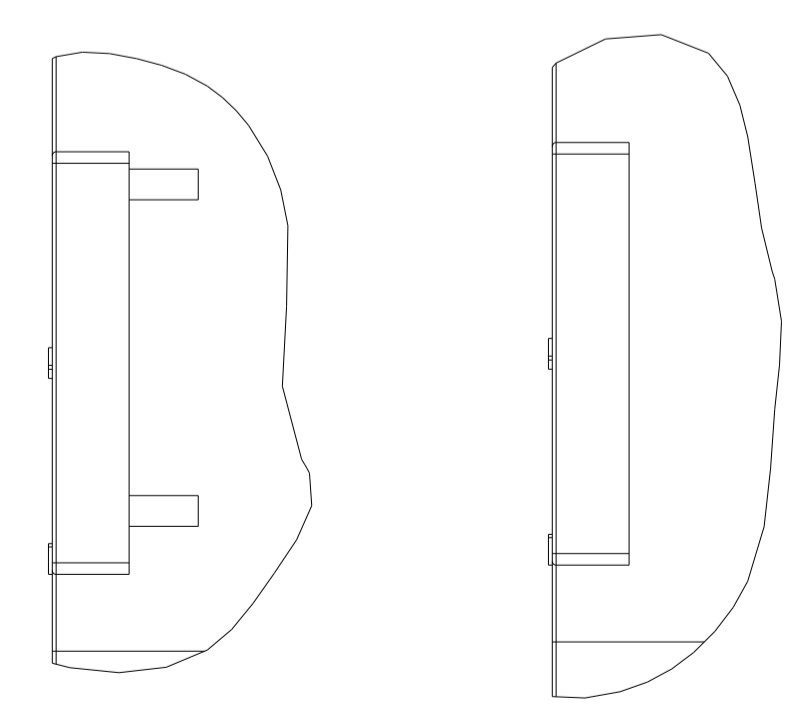
DETAIL D
OPTIONAL CONSTRUCTIONS



DETAIL B
350735-4 ONLY



350735-4 ONLY



DETAIL C
OPTIONAL CONSTRUCTION

MM	IN
27.43	1.080
26.67	1.050
20.32	.800
11.68	.460
0.38	.015
0.13	.005
MM	IN

CONVERSION TABLE

BLACK	1-350735-9
GRAY	1-350735-8
BLUE	1-350735-6
GREEN	1-350735-5
YELLOW	1-350735-4
ORANGE	1-350735-3
RED	1-350735-2
BROWN	1-350735-1
NATURAL	350735-5
NATURAL	350735-4
NATURAL	350735-1
COLOR	PART NUMBER

SUPERCEDED BY 1-350735-2

THIS DRAWING IS A CONTROLLED DOCUMENT.

DIMENSIONS:	TOLERANCES UNLESS OTHERWISE SPECIFIED:	OWN: K. WHITAKER 23FEB2006	CHK: S. RIDGILL 23FEB2006	APVD: S. RIDGILL 23FEB2006
mm	0 PLC ±.13	NAME: PLUG.12 CIRCUIT, UNIVERSAL MATE-N-LOK		
Ø	1 PLC ±.13	PRODUCT SPEC: 108-1031		
ANGLE	4 PLC ±.13	APPLICATION SPEC: 114-1010		
FINISH	ANGLES ±.13	SIZE: A 00779 C=350735		
MATERIAL: NYLON, UL 94V-0	FINISH	WEIGHT: -		
CUSTOMER DRAWING		SCALE: 4:1 SHEET 1 OF 1 REV Z		

TE Connectivity