

1-966067-7 ✓ ACTIVE



TE Internal #: 1-966067-7

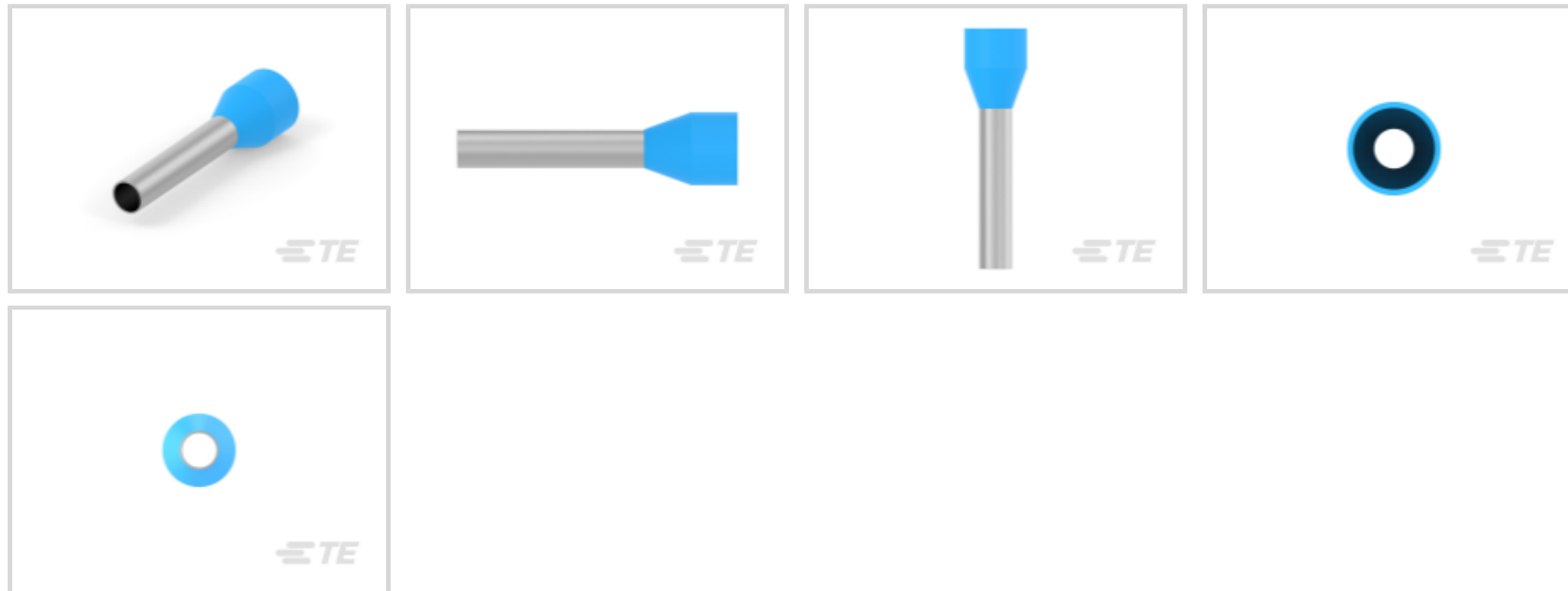
Ferrule, 13 AWG Wire Size, 2.5 mm² Wire Size, 2.2 mm [.087 in]

Barrel Inside Diameter, Closed, Tin Plating, Length 18 mm [.709 in],

Bag, Discrete Wire

[View on TE.com >](#)

Terminals & Splices > Crimp Wire Pins, Tabs & Ferrules



Crimp Wire Terminal Type: **Ferrule**

Compatible Insulation Diameter Range: **4.1 mm [.16 in]**

Wire Size: **2.5 mm²**

Barrel Inside Diameter: **2.2 mm [.087 in]**

Features

Body Features

Primary Product Color	Blue
-----------------------	------

Product Type Features

Sealable	No
Compatible With Discrete Wire Type	Stranded
Wire Insulation Support Retention Type	Insulation Support

Packaging Features

Packaging Quantity	500
Packaging Method	Bag

Dimensions

Strip Length	14 mm[.551 in]
2-Wire Size	14 AWG
Compatible Insulation Diameter Range	4.1 mm[.16 in]
Wire Size	2.5 mm ²
Barrel Inside Diameter	2.2 mm[.087 in]
Terminal Material Thickness	.15 mm[.006 in]



Overall Product Length	18 mm[.709 in]
------------------------	----------------

Contact Features

Contact Mating Area Length	12 mm[.468 in]
----------------------------	----------------

Crimp Wire Terminal Type	Ferrule
--------------------------	---------

Barrel Type	Closed
-------------	--------

Terminal Plating Material	Tin
---------------------------	-----

Terminal Orientation	Straight
----------------------	----------

Configuration Features

Compatible With Wire & Cable Type	Discrete Wire
-----------------------------------	---------------

Mechanical Attachment

Wire Insulation Support	With
-------------------------	------

Usage Conditions

Insulation Option	Partially Insulated
-------------------	---------------------

Operating Temperature Range	105 °C[221 °F]
-----------------------------	----------------

Other

EU RoHS Compliance	Compliant
--------------------	-----------

EU ELV Compliance	Compliant
-------------------	-----------

Product Compliance

[For compliance documentation, visit the product page on TE.com>](#)

EU RoHS Directive 2011/65/EU	Compliant
------------------------------	-----------

EU ELV Directive 2000/53/EC	Compliant
-----------------------------	-----------

China RoHS 2 Directive MIIT Order No 32, 2016	No Restricted Materials Above Threshold
---	---

EU REACH Regulation (EC) No. 1907/2006	Current ECHA Candidate List: JUNE 2024 (241) Candidate List Declared Against: JUNE 2024 (241) Does not contain REACH SVHC
--	---

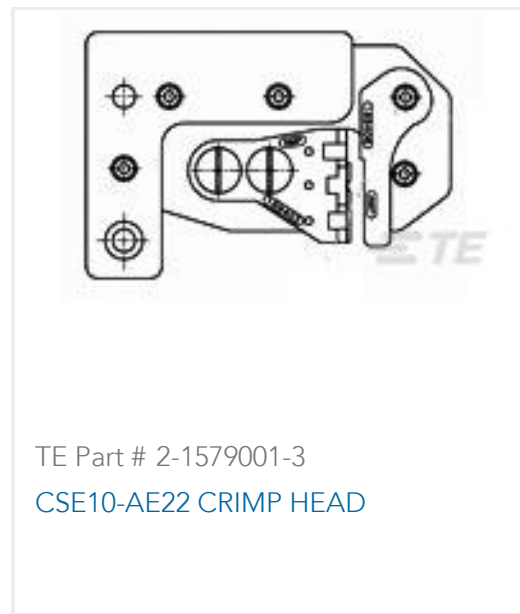
Halogen Content	Low Halogen - Br, Cl, F, I < 900 ppm per homogenous material. Also BFR/CFR/PVC Free
-----------------	---

Solder Process Capability	Not applicable for solder process capability
---------------------------	--

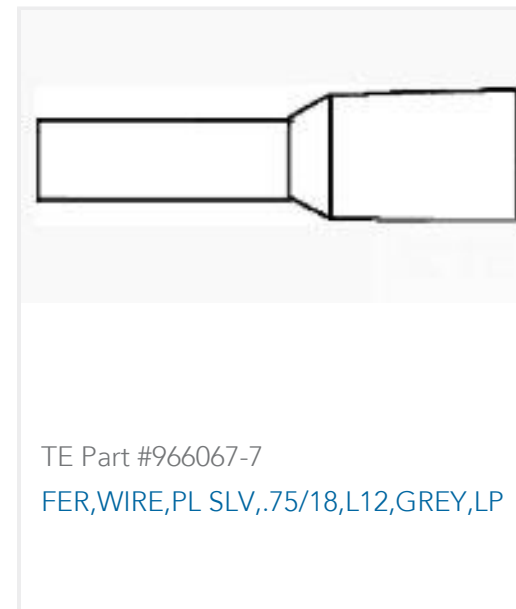
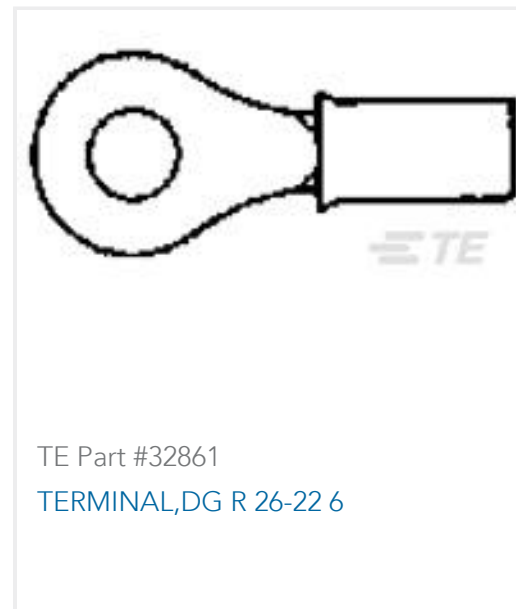
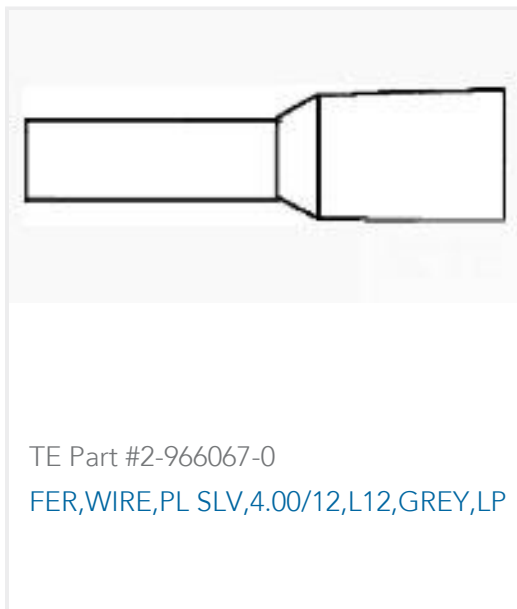
Product Compliance Disclaimer

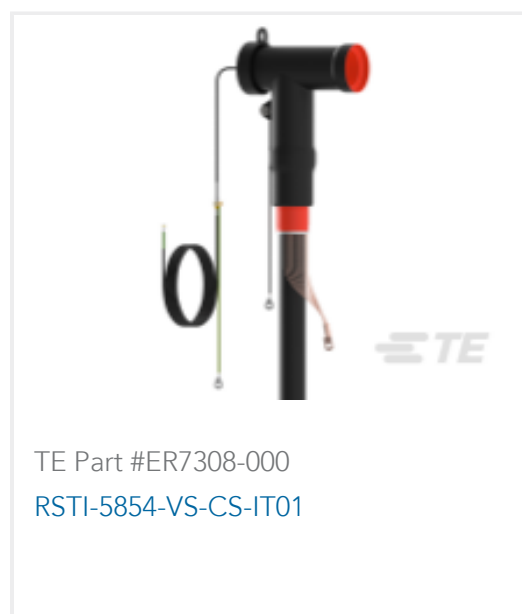
This information is provided based on reasonable inquiry of our suppliers and represents our current actual knowledge based on the information they provided. This information is subject to change. The part numbers that TE has identified as EU RoHS compliant have a maximum concentration of 0.1% by weight in homogenous materials for lead, hexavalent chromium, mercury, PBB, PBDE, DBP, BBP, DEHP, DIBP, and 0.01% for cadmium, or qualify for an exemption to these limits as defined in the Annexes of Directive 2011/65/EU (RoHS2). Finished electrical and electronic equipment products will be CE marked as required by Directive 2011/65/EU. Components may not be CE marked. Additionally, the part numbers that TE has identified as EU ELV compliant have a maximum concentration of 0.1% by weight in homogenous materials for lead, hexavalent chromium, and mercury, and 0.01% for cadmium, or qualify for an exemption to these limits as defined in the Annexes of Directive 2000/53/EC (ELV). Regarding the REACH Regulation, the information TE provides on SVHC in articles for this part number is based on the latest European Chemicals Agency (ECHA) 'Guidance on requirements for substances in articles' posted at this URL: <https://echa.europa.eu/guidance-documents/guidance-on-reach>

Compatible Parts



Customers Also Bought





TE Part #ER7308-000
RSTI-5854-VS-CS-IT01



TE Part #2384159-1
ECTO-5122-IT01

Documents

Product Drawings

[FER,WIRE,PL SLV,2.50/14,L12,BLUE,LP](#)

English

CAD Files

[3D PDF](#)

English

Customer View Model

[ENG_CVM_1-966067-7_B1.2d_dxf.zip](#)

English

Customer View Model

[ENG_CVM_1-966067-7_B1.3d_igs.zip](#)

English

Customer View Model

[ENG_CVM_1-966067-7_B1.3d_stp.zip](#)

English

Customer View Model

[ENG_CVM_CVM_1-966067-7_B1.3d_igs.zip](#)

English

Customer View Model

[ENG_CVM_CVM_1-966067-7_B1.2d_dxf.zip](#)

English

Customer View Model

[ENG_CVM_CVM_1-966067-7_B1.3d_stp.zip](#)

English

[3D PDF](#)

3D

By downloading the CAD file I accept and agree to the [Terms and Conditions](#) of use.

Datasheets & Catalog Pages

[Wire Ferrules](#)

English

[WIRE END FERRULES](#)

English

1-966067-7

Ferrule, 13 AWG Wire Size, 2.5 mm² Wire Size, 2.2 mm [.087 in] Barrel Inside Diameter, Closed, Tin Plating, Length 18 mm [.709 in], Bag, Discrete Wire



[Agency Approvals](#)

[CSA Certificate](#)

English