

1-966144-0 ✓ ACTIVE

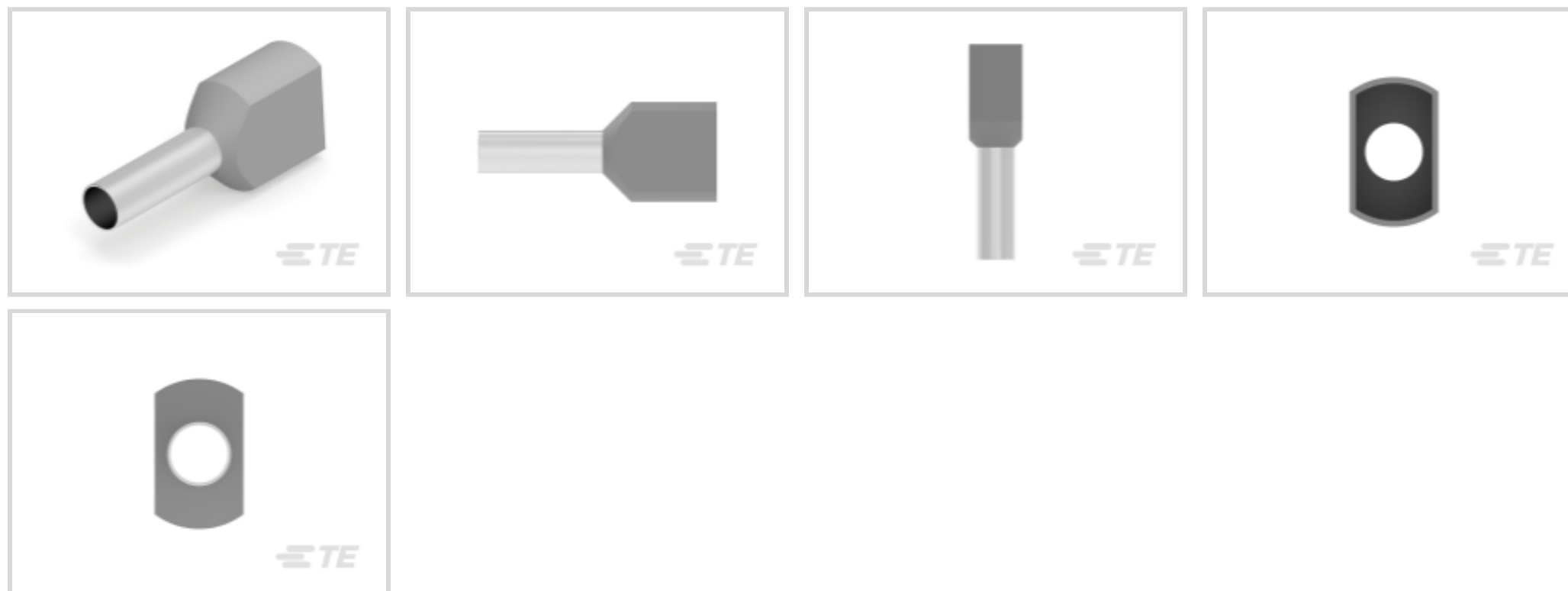
TE Internal #: 1-966144-0

Ferrule, 11 AWG Wire Size, 4 mm² Wire Size, 8234 CMA Wire Size, Closed, Tin Plating, Length 23 mm [.906 in], Loose Piece, Discrete Wire, Stranded Wire

[View on TE.com >](#)



Terminals & Splices > Crimp Wire Pins, Tabs & Ferrules



Crimp Wire Terminal Type: **Ferrule**

Compatible Insulation Diameter Range: **4.3 mm [.169 in]**

Wire Size: **8234 CMA**

Features

Body Features

| | |
|-----------------------|------|
| Primary Product Color | Gray |
|-----------------------|------|

Product Type Features

| | |
|------------------------------------|-------------|
| Terminal Features | Double Wire |
| Sealable | No |
| Compatible With Discrete Wire Type | Stranded |

Packaging Features

| | |
|--------------------|-------------|
| Packaging Quantity | 100 |
| Packaging Method | Loose Piece |

Dimensions

| | |
|--------------------------------------|-----------------|
| Strip Length | 17 mm[.669 in] |
| 2-Wire Size | 11 AWG |
| Compatible Insulation Diameter Range | 4.3 mm[.169 in] |
| Wire Size | 8234 CMA |
| Terminal Material Thickness | .2 mm[.007 in] |
| Overall Product Length | 23 mm[.906 in] |

Contact Features



| | |
|----------------------------|----------------|
| Contact Mating Area Length | 8 mm [.312 in] |
| Crimp Wire Terminal Type | Ferrule |
| Barrel Type | Closed |
| Terminal Plating Material | Tin |
| Terminal Orientation | Straight |

Configuration Features

| | |
|-----------------------------------|---------------|
| Compatible With Wire & Cable Type | Discrete Wire |
|-----------------------------------|---------------|

Mechanical Attachment

| | |
|-------------------------|---------|
| Wire Insulation Support | Without |
|-------------------------|---------|

Usage Conditions

| | |
|-----------------------------|---------------------|
| Insulation Option | Partially Insulated |
| Operating Temperature Range | 105 °C [221 °F] |

Other

| | |
|--------------------|-----------|
| EU RoHS Compliance | Compliant |
| EU ELV Compliance | Compliant |

Product Compliance

[For compliance documentation, visit the product page on TE.com>](#)

| | |
|---|---|
| EU RoHS Directive 2011/65/EU | Compliant |
| EU ELV Directive 2000/53/EC | Compliant |
| China RoHS 2 Directive MIIT Order No 32, 2016 | No Restricted Materials Above Threshold |
| EU REACH Regulation (EC) No. 1907/2006 | Current ECHA Candidate List: JUNE 2024 (241) Candidate List Declared Against: JUNE 2024 (241) Does not contain REACH SVHC |
| Halogen Content | Low Halogen - Br, Cl, F, I < 900 ppm per homogenous material. Also BFR/CFR/PVC Free |
| Solder Process Capability | Not applicable for solder process capability |

Product Compliance Disclaimer

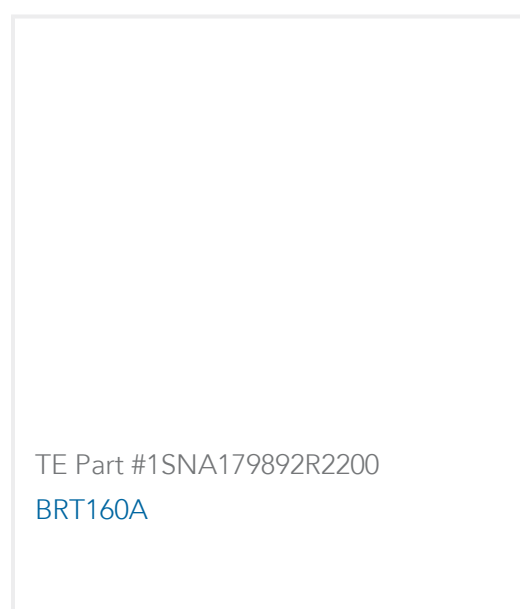
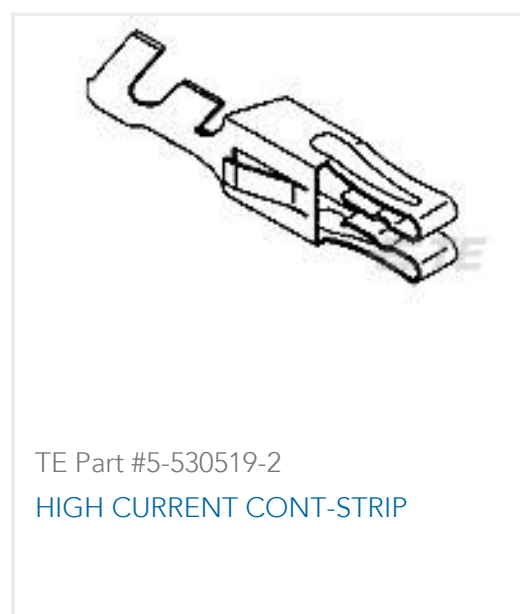
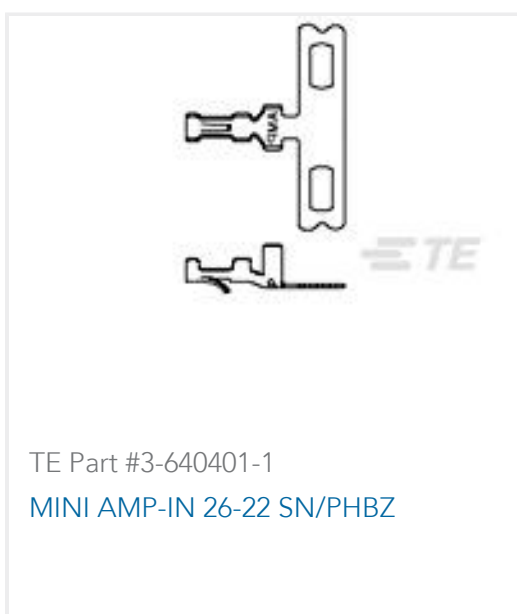
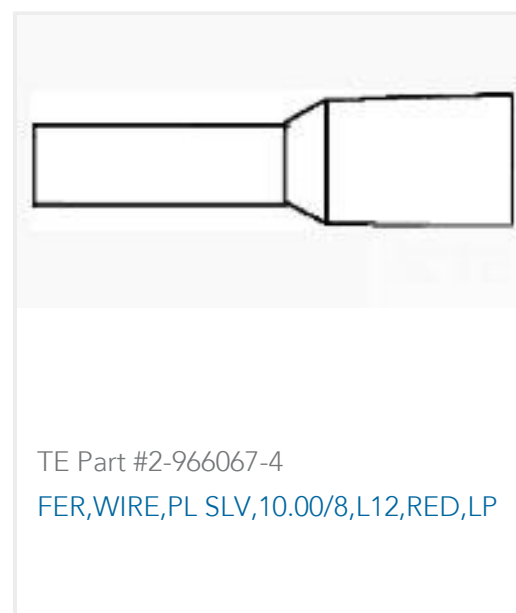
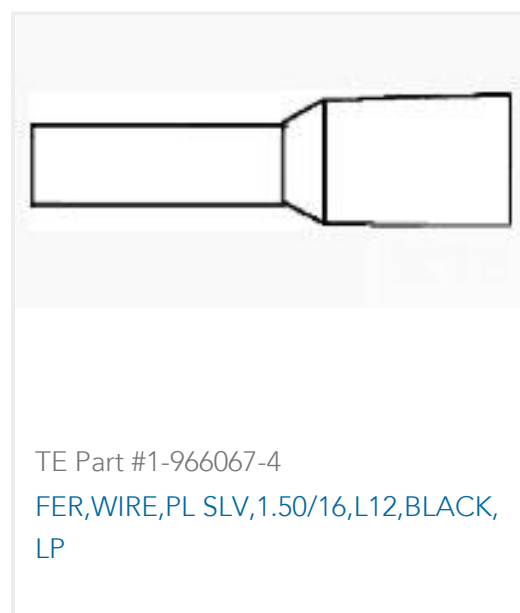
This information is provided based on reasonable inquiry of our suppliers and represents our current actual knowledge based on the information they provided. This information is subject to change. The part numbers that TE has identified as EU RoHS compliant have a maximum concentration of 0.1% by weight in homogenous materials for lead, hexavalent chromium, mercury, PBB, PBDE, DBP, BBP, DEHP, DIBP, and 0.01% for cadmium, or qualify for an exemption to these limits as defined in the Annexes of Directive 2011/65/EU (RoHS2). Finished electrical and electronic equipment products

will be CE marked as required by Directive 2011/65/EU. Components may not be CE marked. Additionally, the part numbers that TE has identified as EU ELV compliant have a maximum concentration of 0.1% by weight in homogenous materials for lead, hexavalent chromium, and mercury, and 0.01% for cadmium, or qualify for an exemption to these limits as defined in the Annexes of Directive 2000/53/EC (ELV). Regarding the REACH Regulation, the information TE provides on SVHC in articles for this part number is based on the latest European Chemicals Agency (ECHA) 'Guidance on requirements for substances in articles' posted at this URL: <https://echa.europa.eu/guidance-documents/guidance-on-reach>

Compatible Parts



Customers Also Bought



Documents

Product Drawings



FER,WIRE,DBL,PL SLV,4.00/12,L12,GREY,LP

English

CAD Files

3D PDF

English

Customer View Model

ENG_CVM_1-966144-0_B2.2d_dxf.zip

English

Customer View Model

ENG_CVM_1-966144-0_B2.3d_igs.zip

English

Customer View Model

ENG_CVM_1-966144-0_B2.3d_stp.zip

English

By downloading the CAD file I accept and agree to the [Terms and Conditions](#) of use.

Datasheets & Catalog Pages

BUCHANAN TERMINAL BLOCKS CATALOG - EUROSTYLE TERMINAL BLOCKS

English

Wire Ferrules

English

WIRE END FERRULES

English

Agency Approvals

CSA Certificate

English