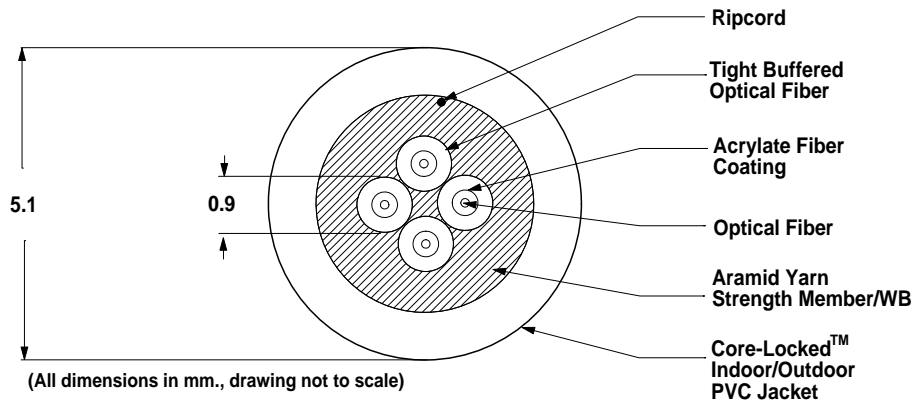


«« PROPRIETARY INFORMATION OF OPTICAL CABLE CORPORATION »»
 DETAIL DRAWING
 4-CHANNEL
 TIGHT BUFFERED DISTRIBUTION FIBER OPTIC CABLE TYPE OFNR
 OPTICAL CABLE CORPORATION P/N:
DX004DALS9KR *
LASER ULTRA-FOX™



Fiber Type	Multimode
Core Diameter	50 μ m
Cladding Diameter	125 μ m
Primary Coating Diameter (UV cured acrylate)	245 μ m
Secondary Buffer Diameter (PVC)	900 μ m
Numerical Aperture	0.20
Proof Test Level	100 kpsi

<u>Wavelength</u>	<u>850 nm</u>	<u>1310 nm</u>
Gigabit Ethernet Distance	600 m	600 m
Maximum Attenuation	3.5 dB/km	1.5 dB/km
Minimum Laser Bandwidth	510 MHz-km	500 MHz-km
Minimum LED Bandwidth	500 MHz-km	500 MHz-km

Cable Weight	24 kg/km (16 lbs/1,000')
Cable Diameter	5.1 mm (0.20 in)

INSTALLATION:	
MAX. TENSILE LOAD	1400 N (310 lbs)
MIN. BEND RADIUS	7.7 cm (3.0 in)

OPERATING:	
MAX. TENSILE LOAD	450 N (100 lbs)
MIN. BEND RADIUS	5.1 cm (2.0 in)

IMPACT RESISTANCE	1500 impacts
CRUSH RESISTANCE	1800 N/cm

OPERATING TEMPERATURE	-40°C to +85°C
STORAGE TEMPERATURE	-55°C to +85°C
INSTALLATION TEMPERATURE	-10°C to +60°C (actual temperature of cable)
FLAME RETARDANCY	U.L. Listed Type OFNR (1666)