

15379-CWP

Straight Blade Wiring Devices



UPC Code: 07847704615

Country of Origin: Please Contact Customer Service

NEMA: 5-20R



Item Description

20 Amp, 125 Volt, NEMA 5-20R, 2P, 3W, Power Outlet Receptacle, Straight Blade, Industrial Grade, Grounding, , Standard Wire Wells Wired, Strap, - Gray

Technical Information

AC Horsepower Ratings

At Rated Voltage: 1 HP

Electrical Specifications

Dielectric Voltage: Withstands 1500V per UL498

Current Limiting: Full Rated Current

Temperature Rise: Max 30C after 250 cycles OL at 200 percent rated current

Environmental Specifications

Flammability: Rated V-2 per UL94

Operating Temperature: -40C to 60C

Material Specifications

Face Material: Thermoplastic Glass Filled

Body Material: Thermoplastic Glass Filled

Cover and Plate Material: Glass-Filled Thermoplastic

Line Contacts: Brass

Terminal Screws: Brass 10-32

Grounding Screw: Brass 8-32

Mechanical Specifications

Terminal ID: Brass-Hot, Green-Ground, White-Neutral

Terminal Accom.: 18-10 AWG

Product ID: Ratings are permanently marked on device

Product Features

Grounding: Grounding

Amperage: 20 Amp

Voltage: 125 Volt

NEMA: 5-20R

Pole: 2

Wire: 3

Termination: Standard Wire Wells

Face Material: Thermoplastic Glass Filled

Body Material: Thermoplastic Glass Filled

Color: Gray

Warranty: 2 Year Limited

Standards and Certifications

NEMA: WD-6

ANSI: C-73

UL498: File E13399

UL Fed Spec WC-596: File E13399

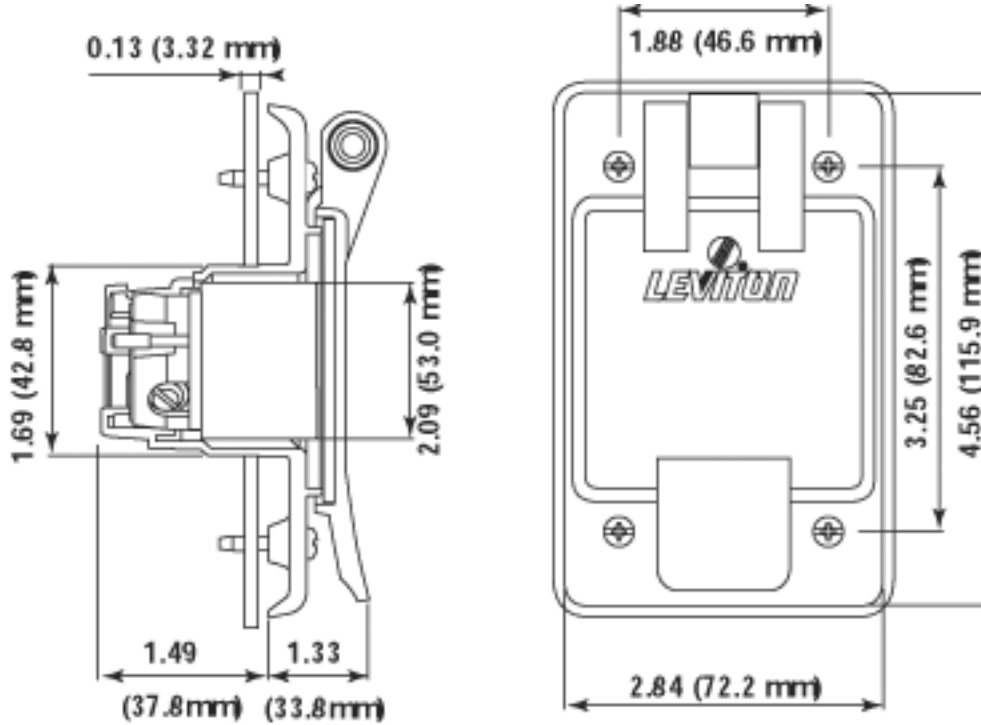
CSA C22.2 No. 42: File LR-16347

NOM: 057

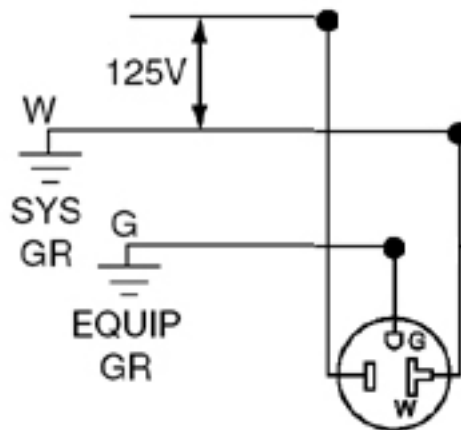
Features and Benefits

- Glass-Filled thermoplastic cover and plate provide outstanding impact resistance and durability, with UL 94V-0 Flammability Rating and UV resistance for outdoor applications
- IP Suitability rating of 64 ensures protection against dust particles and splashing water
- NEMA 3R enclosure rating for protection against rain, sleet and damage from external ice formation
- Dual gaskets, one underneath plate and one under lid to ensure weather-resistant fit. Polyethelene foam gasket material resists corrosives, petrochemicals and salt found in harsh environments
- Stainless Steel external hardware resists corrosive effects of moisture.
- Rugged mounting plate assures smooth, flush fit on equipment mount panels and resists cracking and breaking

- Easy-to-reach mounting screw openings are accessible without lifting cover
- Large thumb tab makes it easy to open cover with gloved hands in sub-zero temperatures
- Smooth surface allows user to place identification label on cover
- Mounts to FS/FD boxes and panels
- UL Listed and CSA certified for Wet Locations when cover is closed.



Wiring Diagram



5-20R

SPECIFICATION SUBMITTAL

JOB NAME:	CATALOG NUMBERS:	
<input type="text"/>	<input type="text"/>	<input type="text"/>
JOB NUMBER:	<input type="text"/>	<input type="text"/>

Leviton Manufacturing Co., Inc.

201 North Service Road, Melville, NY 11747

Telephone: 1-800-323-8920 · FAX: 1-800-832-9538 · Tech Line (8:30AM-7:30PM E.S.T. Monday-Friday): 1-800-824-3005

Leviton Manufacturing of Canada, Ltd.

165 Hymus Boulevard, Pointe Claire, Quebec H9R 1E9 · Telephone: 1-800-469-7890 ·

FAX: 1-800-824-3005 · www.leviton.com/canada

Leviton S. de R.L. de C.V.

Lago Tana 43, Mexico DF, Mexico CP 11290 · Tel.: (+52)55-5082-1040 · FAX: (+52)5386-1797 · www.leviton.com.mx

Visit our Website at: www.leviton.com

© 2012-2016 Leviton Manufacturing Co., Inc. All rights reserved. Subject to change without notice.

Leviton has a global presence.

If you would like to know where your local Leviton office is located please go to: www.leviton.com/international/contacts/

