

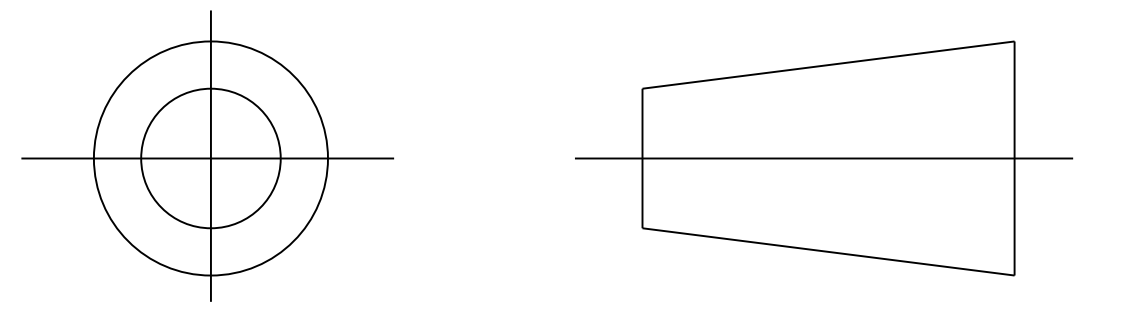
Heatshrinkable Moulded Shapes Bulbous Straight Boots HellermannTyton

DRAWING No.  
152085

SHT. 1  
OF  
1 SHTS.

© THE COPYRIGHT OF THIS DRAWING IS RESERVED BY HELLERMANN TYTON. IT IS ISSUED ON CONDITION THAT IT IS NOT COPIED, REPRODUCED OR DISCLOSED TO A THIRD PARTY EITHER WHOLLY OR IN PART WITHOUT THE CONSENT IN WRITING OF HELLERMANN TYTON.

THIRD ANGLE PROJECTION

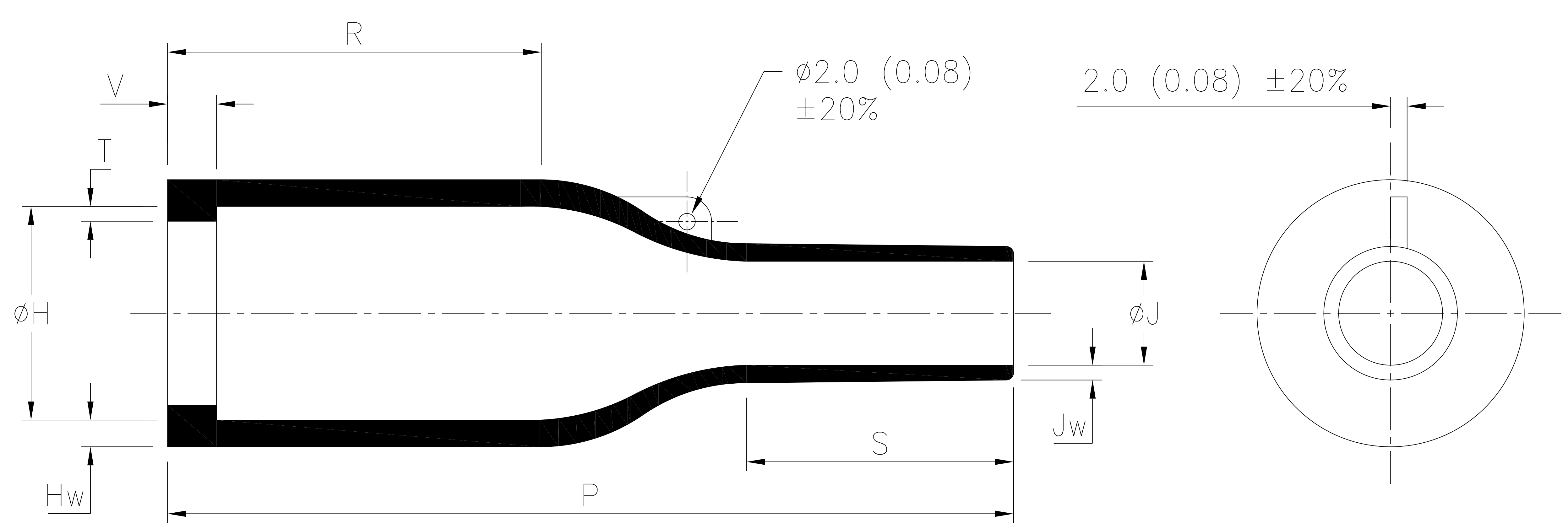


BS 8888

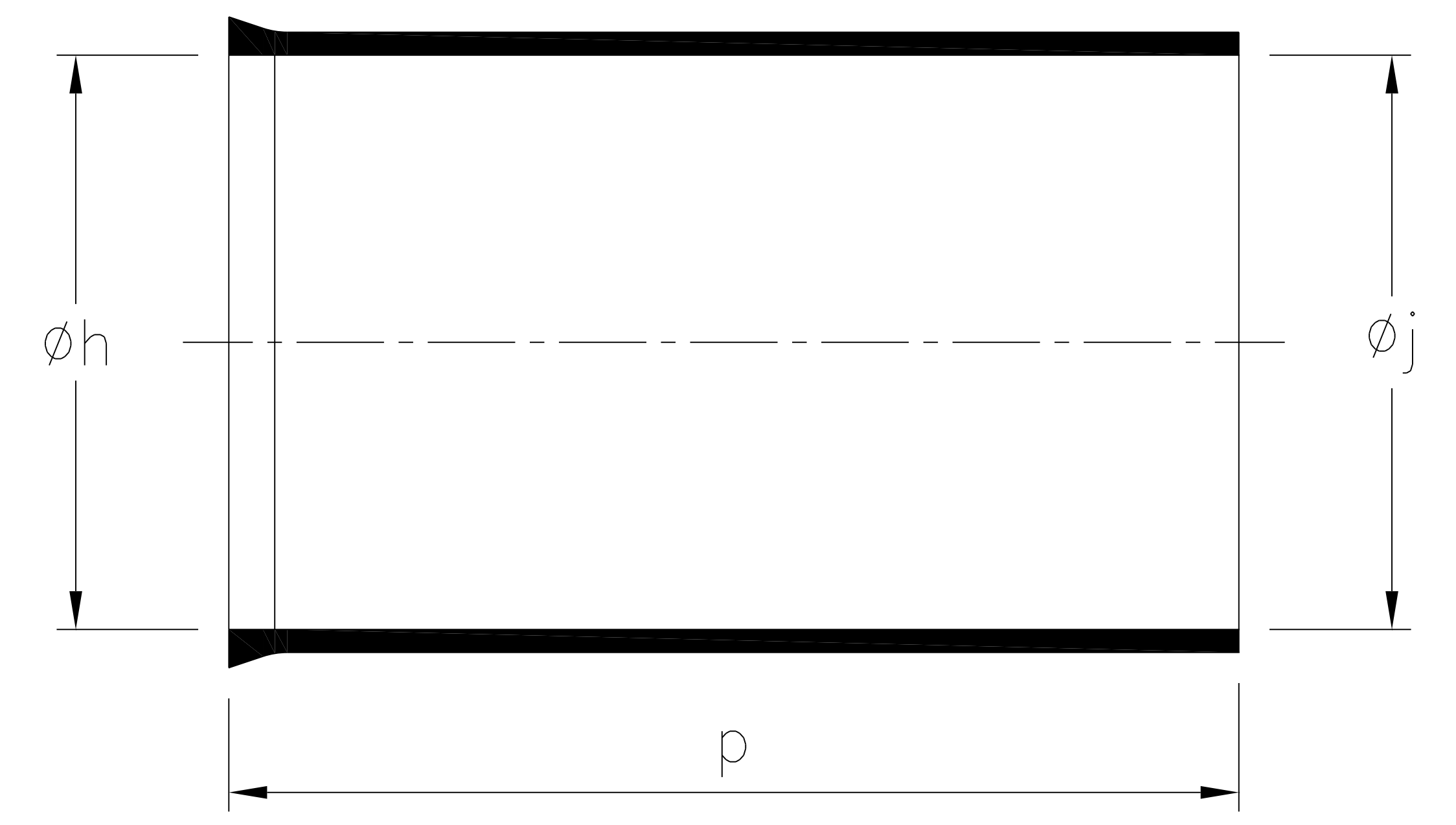
DO NOT SCALE  
IF IN DOUBT ASK

Q.A.	H/S SETT
H/S Q.A.	REL. INSP.
H/S PROD	EXT. ISS. CODE

STANDARD PART (AFTER UNRESTRICTED RECOVERY)



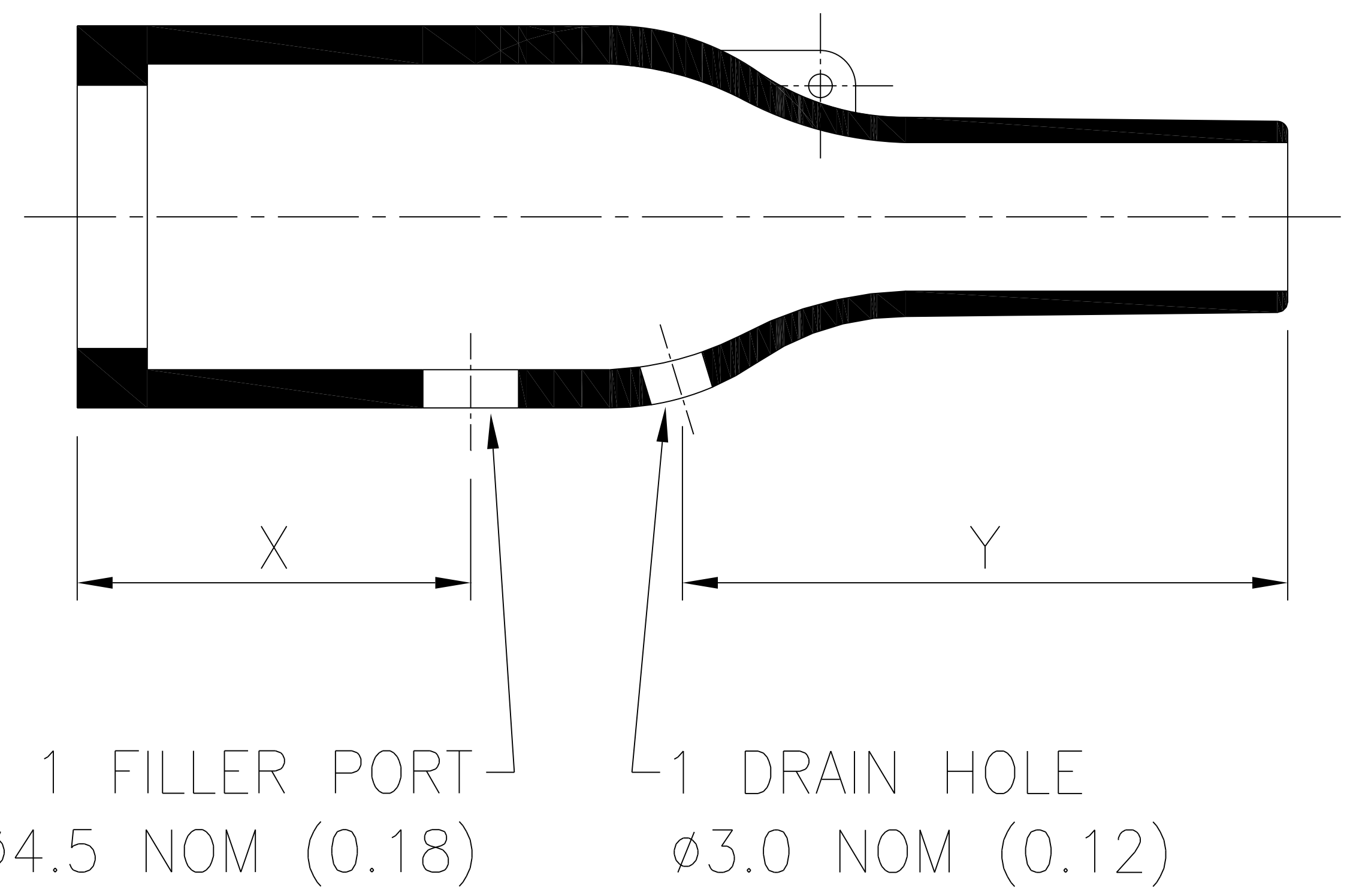
EXPANDED (AS SUPPLIED)



SPEC.	PART No.	EXPANDED DIMENSIONS (AS SUPPLIED)			RECOVERED DIAMETERS		RECOVERED DIMENSIONS						
		øh	øj	p	øH	øJ	P	R	S	T	V	Hw	Jw
		MIN	MIN	MIN	MAX	MAX	±10%	NOM	NOM	±20%	MAX	±20%	±30%
VG 95343 T06A003A	154-41	30 (1.18)	30 (1.18)	N/A	14 (0.55)	6 (0.24)	43 (1.69)	20 (0.79)	13 (0.51)	1.0 (0.04)	3.3 (0.13)	1.8 (0.07)	1.0 (0.04)
VG 95343 T06B003A	154-42	30 (1.18)	30 (1.18)	N/A	14 (0.55)	6 (0.24)	55 (2.16)	32 (1.26)	13 (0.51)	1.0 (0.04)	3.3 (0.13)	1.8 (0.07)	1.0 (0.04)
-	154-46	18 (0.71)	12 (0.47)	N/A	14 (0.55)	6 (0.24)	55 (2.16)	32 (1.26)	13 (0.51)	1.0 (0.04)	3.3 (0.13)	1.8 (0.07)	1.0 (0.04)
-	154-48	30 (1.18)	30 (1.18)	55 (2.16)	14 (0.55)	6 (0.24)	55 (2.16)	32 (1.26)	13 (0.51)	1.0 (0.04)	3.3 (0.13)	1.8 (0.07)	1.0 (0.04)
-	154-51	24 (0.94)	12 (0.47)	N/A	14 (0.55)	6 (0.24)	43 (1.69)	20 (0.79)	13 (0.51)	1.0 (0.04)	3.3 (0.13)	1.8 (0.07)	1.0 (0.04)
-	154-52	24 (0.94)	12 (0.47)	N/A	14 (0.55)	6 (0.24)	55 (2.16)	32 (1.26)	13 (0.51)	1.0 (0.04)	3.3 (0.13)	1.8 (0.07)	1.0 (0.04)
VG 95343 T29A003A	154-61	30 (1.18)	15 (0.59)	N/A	14 (0.55)	6 (0.24)	43 (1.69)	20 (0.79)	13 (0.51)	1.0 (0.04)	3.3 (0.13)	1.8 (0.07)	1.0 (0.04)
VG 95343 T29B003A	154-62	30 (1.18)	15 (0.59)	N/A	14 (0.55)	6 (0.24)	55 (2.16)	32 (1.26)	13 (0.51)	1.0 (0.04)	3.3 (0.13)	1.8 (0.07)	1.0 (0.04)

OPTIONAL FILLER PORT DETAIL			
SPEC.	PART No.	RECOVERED DIMENSIONS	
		X	Y
		±20%	±20%
VG 95343 T07A003A	154-41	12 (0.47)	18 (0.71)
VG 95343 T07B003A	154-42	18 (0.71)	24 (0.95)
-	154-46	18 (0.71)	24 (0.95)
-	154-48	18 (0.71)	24 (0.95)
-	154-51	12 (0.47)	18 (0.71)
-	154-52	18 (0.71)	24 (0.95)
-	154-61	12 (0.47)	18 (0.71)
-	154-62	18 (0.71)	24 (0.95)

OPTION TO STANDARD PART  
FILLER PORT (CODE P)



Heatshrinkable Moulded Shapes Bulbous Straight Boots HellermannTyton

For information only, not subject to technical changes.

4	P1499	GL	24/02/15
3	P1362	DJC	05/10/11
2	P1329	G.B.	11/10/10
1	P1195	S.Almond	14/04/08
ISSUE	NOTE No.	DRAWN	DATE

**HellermannTyton**  
William Prance Road,  
Plymouth International Med. & Tech. Park,  
Plymouth, PL6 5WR  
Tel ++44 (0) 1752 701261  
Fax ++44 (0) 1752 790058

NAME	S.Almond	SCALE	NTS	ADHESIVE	A3 ORIGINAL SHEET SIZE 420mm x 297mm	SHT. 1 OF 1 SHTS.
DATE	14/04/08	DIMS IN	mm (in)			
TITLE	BOTTLE SLEEVE		PART No.	154	DRAWING No.	152085