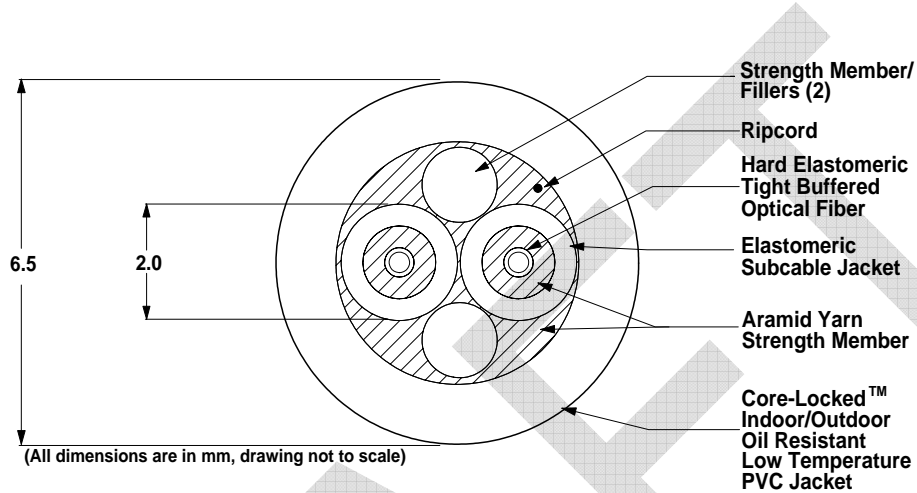


«« PROPRIETARY INFORMATION OF OPTICAL CABLE CORPORATION »»»
 DETAIL DRAWING
 2-CHANNEL
 HIGH STRENGTH FIBER OPTIC BREAKOUT CABLE TYPE OFNR
 OPTICAL CABLE CORPORATION P/N:
B02-065J-AST-900-OFNR-HS
ULTRA-FOX PLUS™



Fiber Type	Multimode	
Core Diameter	50 um	
Cladding Diameter	125 um	
Primary Coating Diameter (UV cured acrylate)	500 um	
Secondary Buffer Diameter (hard elastomeric)	900 um	
Numerical Aperture	0.20	
Proof Test Level	100 kpsi	
<u>Wavelength</u>	<u>850 nm</u>	<u>1300 nm</u>
Attenuation	3.5 dB/km	1.5 dB/km
Bandwidth	500 MHz-km	500 MHz-km
Cable Weight	33 kg/km	
Cable Diameter	6.5 mm	
INSTALLATION:		
MAX. TENSILE LOAD	2200 N	
MIN. BEND RADIUS	9.75 cm	
OPERATING:		
MAX. TENSILE LOAD	550 N	
MIN. BEND RADIUS	6.5 cm	
IMPACT RESISTANCE	1500 impacts	
CRUSH RESISTANCE	2200 N/cm	
OPERATING TEMPERATURE	-40°C to +75°C	
STORAGE TEMPERATURE	-55°C to +85°C	
INSTALLATION TEMPERATURE	-20°C to +60°C (actual temperature of cable)	
FLAME RETARDANCY	U.L. Listed Type OFNR (1666)	