

2610-B



UPC Code: 07847713115

Country of Origin: United States - **Eligible for ARRA funded projects*

NEMA: L5-30R



**May include one or more globally sourced components.*



Locking Wiring Devices

Item Description

30 Amp, 125 Volt, NEMA L5-30R, 2P, 3W, Flush Mtg Locking Receptacle, Industrial Grade, Grounding, All Black - Black

Technical Information

AC Horsepower Ratings

At Rated Voltage: 2 HP

Electrical Specifications

Dielectric Voltage: Withstands 2000V per UL498

Current Limiting: Full Rated Current

Temperature Rise: Max 30C after 250 cycles OL at 200 percent rated current

Environmental Specifications

Flammability: Rated V-0 per UL94

Operating Temperature: -40C to 60C

Material Specifications

Face Material: Ultramid

Base Material: Valox

Line Contacts: Brass .040 Thick

Terminal Screws: Brass 10-32

Grounding Screw: Brass 8-32

Yoke: Nickel-Plated Brass .050 Thick

Mechanical Specifications

Terminal ID: Brass-Hot, Green-Ground, White-Neutral

Terminal Accom.: 14-8 AWG

Product ID: Ratings and NEMA I.D. permanently marked on device

Product Features

Grounding: Grounding

Feature: All Black

Amperage: 30 Amp

Voltage: 125 Volt

NEMA: L5-30R

Pole: 2

Wire: 3

Termination: Back & Side

Face Material: Ultramid

Base Material: Valox

Strap Material: Nickel-Plated Brass

Color: Black

Standards and Certifications: UL/CSA

Warranty: Lifetime Warranty

Standards and Certifications

NEMA: WD-6

ANSI: C-73

UL498: File E13399

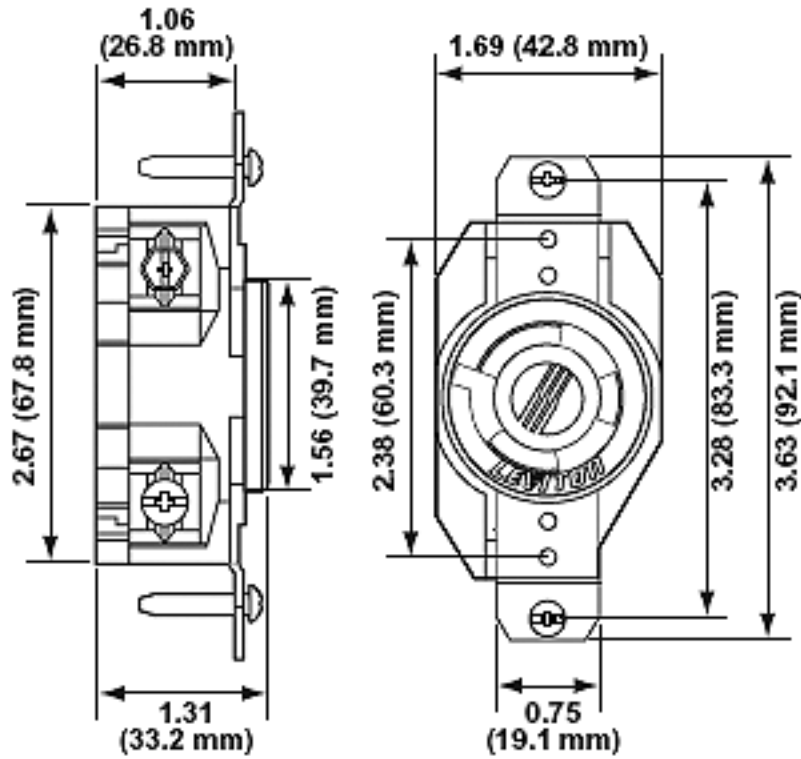
UL Fed Spec WC-596: File E13399

CSA C22.2 No. 42: File LR-406

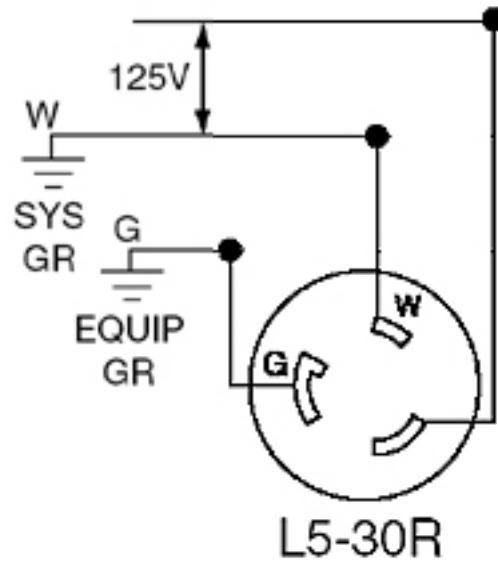
NOM: 057

Features and Benefits

- Single piece brass contact provides longer life and continuous conductivity vs multi-piece riveted styles
- Extra thick, corrosion resistant nickel plated brass strap
- Amperage, voltage, NEMA configuration, and Manufacturer molded into face lasts longer than stamping and makes for fast, easy identification and replacement
- Terminal identification molded into the body lasts longer than stamping
- Nickel plated brass clamp type terminals support back and side wiring and resist corrosion
- Color-coded voltage ID ring on face for quick visual identification
- UL V-0 flammability rating



Wiring Diagram



SPECIFICATION SUBMITTAL

JOB NAME:	CATALOG NUMBERS:	
<input type="text"/>	<input type="text"/>	<input type="text"/>
JOB NUMBER:	<input type="text"/>	<input type="text"/>

Leviton Manufacturing Co., Inc.

201 North Service Road, Melville, NY 11747

Telephone: 1-800-323-8920 · FAX: 1-800-832-9538 · Tech Line (8:30AM-7:30PM E.S.T. Monday-Friday): 1-800-824-3005

Leviton Manufacturing of Canada, Ltd.

165 Hymus Boulevard, Pointe Claire, Quebec H9R 1E9 · Telephone: 1-800-469-7890 ·

FAX: 1-800-824-3005 · www.leviton.com/canada

Leviton S. de R.L. de C.V.

Lago Tana 43, Mexico DF, Mexico CP 11290 · Tel.: (+52)55-5082-1040 · FAX: (+52)5386-1797 · www.leviton.com.mx

Visit our Website at: www.leviton.com

© 2012-2016 Leviton Manufacturing Co., Inc. All rights reserved. Subject to change without notice.



Leviton has a global presence.

If you would like to know where your local Leviton office is located please go to: www.leviton.com/international/contacts/

**Buy American Compliant Logo -- The American Recovery And Reinvestment Act of 2009 ("ARRA") provides federal grants and loans for projects throughout the country. Section 1605 of the Act, named the "Buy American" provision, requires that certain materials and manufactured products used in projects funded by the Act be manufactured in the United States. The appearance of the Recovery Act Logo in relation to a Leviton product is only intended to reflect that such product may be used in an ARRA funded project. It does not mean that such product or Leviton is sponsored or endorsed by, or that Leviton receives funds from, the federal government or the Recovery Accountability and Transparency Board. Nothing in Leviton's use of the logo is intended to suggest anything regarding the requirements for funding under ARRA.*