


U.I. Lapp GmbH	PRODUCT INFORMATION	
EPIC® H-B 10 SDR-LB		05.11.2015

Housing design H-B. The industry standard.
The smallest housing with single and double lever. The right housing is available for every application



Automation & fältinstallation



Industrial machinery and plant engineering



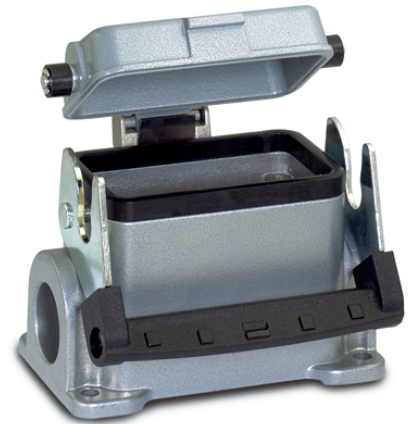
Mechanical resistance



Robust



Waterproof



Application range

Plant engineering
Light & sound technology
Plastics industry

Product features

Surface-mount base, low version
Single lever
1 cable entry
Metal cover

Remark

Photographs are not to scale and do not represent detailed images of the respective products.


Technical Data

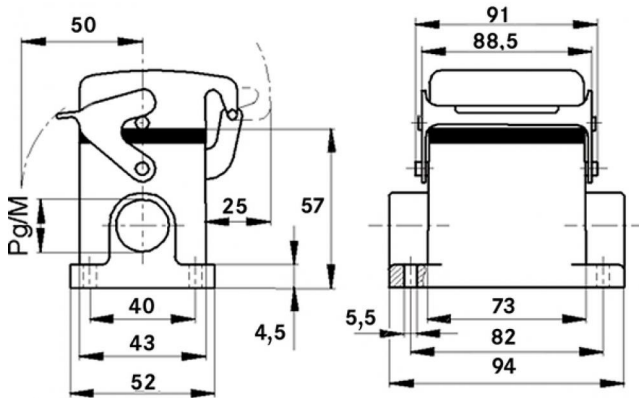
Material:	Housing: powder-coated aluminium alloy, grey Lever: zinc-plated steel Sealing: NBR
Protection rating:	IP 65 (latched)
Temperature range:	-40°C to +100°C, short-term up to +125°C

Product Management	Document: LAPP_PRO533EN.pdf	1 / 3
--------------------	-----------------------------	-------



Part number	Article description	M	PG	Pieces / PU
H-B housing: surface-mount base (cover, 1 cable entry, single lever)				
10036900	H-B 10 SDR-LB 16		16	10
19036900	H-B 10 SDR-LB M20	20		10
79064600	H-B 10 SDR-LB M25	25		10

U.I. Lapp GmbH	PRODUCT INFORMATION	
EPIC® H-B 10 SDR-LB		05.11.2015



Product Management	Document: LAPP_PRO533EN.pdf	3 / 3
--------------------	-----------------------------	-------