


U.I. Lapp GmbH	PRODUCT INFORMATION	
	EPIC® H-B 10 TS-RO	05.11.2015

Housing design H-B. The industry standard.
The smallest housing with single and double lever. The right housing is available for every application



Automation & fältinstallation



Industrial machinery and plant engineering



Mechanical resistance



Robust



Waterproof



Info

Non-slip ridges for comfortable disconnecting

Application range

Plant engineering
Light & sound technology
Plastics industry

Product features

Hood, low version
Reels for single lever
Side cable entry
Versions with neck

Remark

Photographs are not to scale and do not represent detailed images of the respective products.


Technical Data

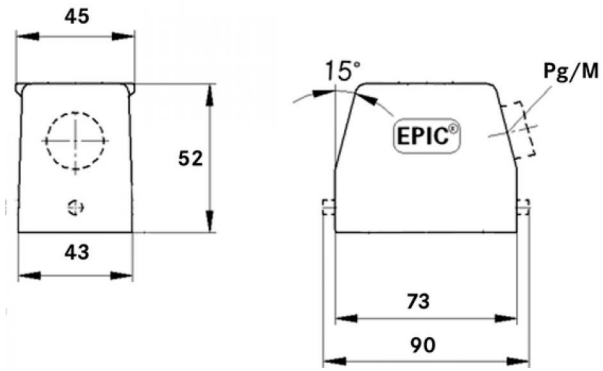
Material:	Housing: powder-coated aluminium alloy, grey Lever: zinc-plated steel Sealing: NBR
Protection rating:	IP 65 (latched)
Temperature range:	-40°C to +100°C, short-term up to +125°C

Product Management	Document: LAPP_PRO515EN.pdf	1 / 3
--------------------	-----------------------------	-------



Part number	Article description	M	PG	Neck	Pieces / PU
H-B housing: hood (side cable entry, bolts for single lever)					
10042900	H-B 10 TS-RO 16		16	yes	10
10042800	H-B 10 TS-RO 21		21	yes	10
19042900	H-B 10 TS-RO M20	20		yes	10
19042800	H-B 10 TS-RO M25	25		yes	10

U.I. Lapp GmbH	PRODUCT INFORMATION	
	EPIC® H-B 10 TS-RO	05.11.2015



Product Management	Document: LAPP_PRO515EN.pdf	3 / 3
--------------------	-----------------------------	-------