


U.I. Lapp GmbH	PRODUCT INFORMATION	
	EPIC® H-B 48 AD-LB	05.11.2015

Housing design H-B for 2 inserts.

The large, robust housing for two inserts in one connector. Power and data in a single connector

Application range

Plant engineering
Plastics industry

Product features

Panel-mount base
Single lever
Plastic cover
Included: flat gasket



Remark

Photographs are not to scale and do not represent detailed images of the respective products.

Technical Data

Material:

Housing: powder-coated aluminium alloy, grey
Lever: zinc-plated steel
Sealing: NBR

Protection rating:

IP 65 (latched)

Temperature range:

-40°C to +100°C, short-term up to +125°C

Product Management	Document: LAPP_PRO110305EN.pdf	1 / 3
--------------------	--------------------------------	-------

U.I. Lapp
GmbH

PRODUCT INFORMATION



LAPP GROUP

EPIC® H-B 48 AD-LB


05.11.2015

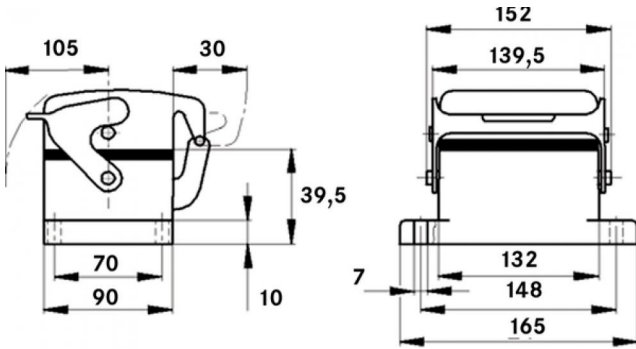
Part number	Article description	Pieces / PU
H-B housing: panel-mount base (cover, single lever)		
10152000	H-B 48 AD-LB	1

Product Management

Document: LAPP_PRO110305EN.pdf

2 / 3

U.I. Lapp GmbH	PRODUCT INFORMATION	
	EPIC® H-B 48 AD-LB	05.11.2015



Product Management	Document: LAPP_PRO110305EN.pdf	3 / 3
--------------------	--------------------------------	-------