

| | | |
|-------------------|----------------------------|--|
| U.I. Lapp GmbH | PRODUCT INFORMATION |  |
| | EPIC® H-B 48 TS | 05.11.2015 |

Housing design H-B for 2 inserts.

The large, robust housing for two inserts in one connector. Power and data in a single connector

Application range

Plant engineering
Plastics industry

Product features

Hood
Bolts for single lever
Side cable entry
Versions with / without neck



Remark

Photographs are not to scale and do not represent detailed images of the respective products.

Technical Data

Material:

Housing: aluminium alloy, grey
Lever: zinc-plated steel
Sealing: NBR

Protection rating:

IP 65 (latched)


Temperature range:

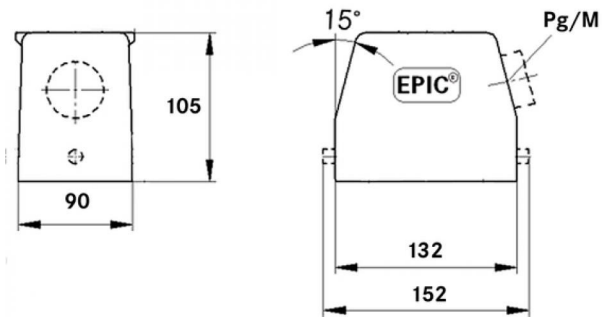
-40°C to +100°C, short-term up to +125°C

| | | |
|--------------------|--------------------------------|-------|
| Product Management | Document: LAPP_PRO110301EN.pdf | 1 / 3 |
|--------------------|--------------------------------|-------|



| Part number | Article description | M | PG | Neck | Pieces / PU |
|--|---------------------|----|----|------|-------------|
| H-B housing: hood (side cable entry, bolts for single lever) | | | | | |
| 10158000 | H-B 48 TS 29 | | 29 | yes | 1 |
| 10159000 | H-B 48 TS 36 | | 36 | yes | 1 |
| 10159200 | H-B 48 TS 36 | | 36 | | 1 |
| 10160000 | H-B 48 TS 42 | | 42 | yes | 1 |
| 19158000 | H-B 48 TS M32 | 32 | | | 1 |
| 19159000 | H-B 48 TS M40 | 40 | | | 1 |
| 19160000 | H-B 48 TS M50 | 50 | | | 1 |

| | | |
|------------------------|----------------------------|--|
| U.I. Lapp GmbH | PRODUCT INFORMATION |  |
| EPIC® H-B 48 TS | | 05.11.2015 |



| | | |
|--------------------|--------------------------------|-------|
| Product Management | Document: LAPP_PRO110301EN.pdf | 3 / 3 |
|--------------------|--------------------------------|-------|