

U.I. Lapp GmbH	PRODUCT INFORMATION	
	EPIC® H-A 3 AG	05.11.2015

Innovative metal and plastic housing design
Housing in plastic or metal version. For power supply in the smallest possible space



Industrial machinery and plant engineering



Mechanical resistance



Robust



Waterproof



Info

Lightweight chemically resistant plastic housing

Application range

Machine and equipment manufacturing
Control engineering
Electronic laboratory

Product features

Panel-mount base
1 lever
Included: flat gasket

Remark

Photographs are not to scale and do not represent detailed images of the respective products.

Technical Data

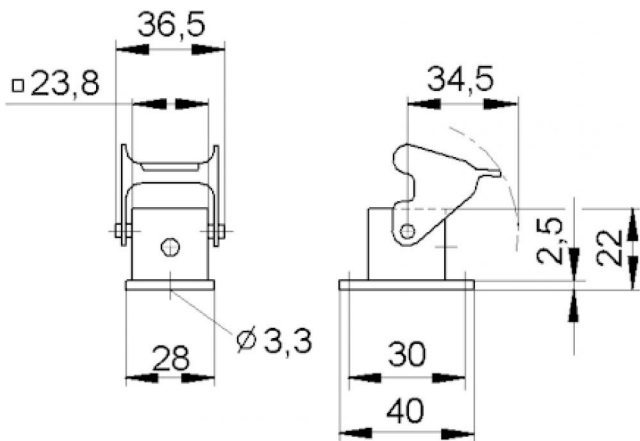
Material:	Housing: powder-coated zinc die-casting, grey Lever: zinc-plated steel Sealing: NBR Housing: grey thermoplastic, black Lever: zinc-plated steel Sealing: NBR
Protection rating:	IP 65 (latched)
Temperature range:	-40°C to +100°C, short-term up to +125°C
VDE-tested:	Certified production control: VDE-REG. no.: B437 UL-tested: UL File Number: E75770

Product Management	Document: LAPP_PRO335EN.pdf	1 / 3
--------------------	-----------------------------	-------



Part number	Article description	Colour	Material	Pieces / PU
H-A housing: panel-mount base (straight)				
10422500	H-A 3 Mag	grey	Zinc die-casting	10
10422200	H-A 3 Ag	black	Thermoplastic	10
10422000	H-A 3 Ag	grey	Thermoplastic	10

U.I. Lapp GmbH	PRODUCT INFORMATION	 LAPP GROUP
	EPIC® H-A 3 AG	05.11.2015



Product Management	Document: LAPP_PRO335EN.pdf	3 / 3
--------------------	-----------------------------	-------