

**1. CONDUCTOR:**

- 1.1 Size and Material: 16 19/.0117" AWG nickel-plated copper wire.
- 1.2 O.D.: .056" nom.

**2. INSULATION:**

- 2.1 Extruded PTFE.
- 2.2 Wall thickness: .020" nom.
- 2.3 O.D.: .096" ± .004"
- 2.4 Color: white.

**3. SEPARATOR:**

- 3.1 Spiral-wrapped .003" PTFE/glass tape with a 50% overlap.
- 3.2 Wall thickness: .006" nom.
- 3.3 O.D.: .108" ± .004"

**4. JACKET:**

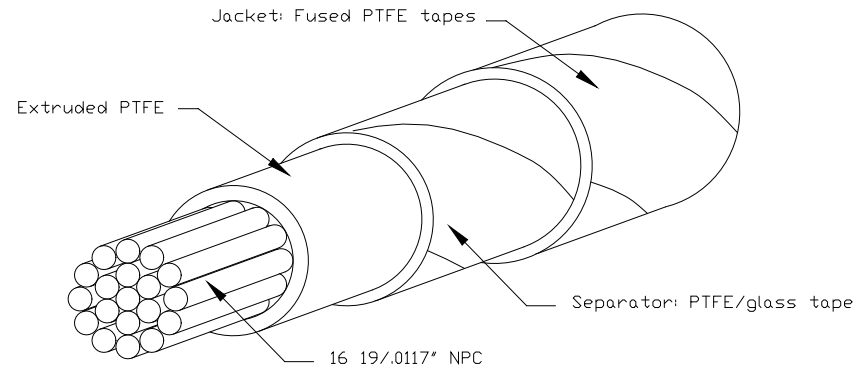
- 4.1 Spiral-wrapped and fused PTFE tapes.
- 4.2 Wall thickness: .009" nom.
- 4.3 Marking on the jacket: "CE / (>R)U AWM 10487 HBR-F CSA I A/B 600V 250°C FT1 GE P/N 362A2370P006".
- 4.4 O.D.: .126" ± .004"
- 4.5 Color: white.

**5. PERFORMANCE:**

- 5.1 Voltage rating: 600 VAC R.M.S.
- 5.2 Temperature rating: 250°C

**6. REFERENCES:**

- 6.1 General Electric specification #362A2370.
- 6.2 UL Subject 758 (AWM), Style 10487.
- 6.3 CSA Standard C22.2 No.210 (AWM), Class I, Group A/B.
- 6.4 Low Voltage Directive (LVD) 73/23/EEC (EC).



**CUSTOMER APPROVAL**

Sign: \_\_\_\_\_  
 Date: \_\_\_\_\_

| Engineering Change Notice No. |  |  |  |  |  |  |  |
|-------------------------------|--|--|--|--|--|--|--|
|                               |  |  |  |  |  |  |  |
|                               |  |  |  |  |  |  |  |
|                               |  |  |  |  |  |  |  |
|                               |  |  |  |  |  |  |  |
|                               |  |  |  |  |  |  |  |
|                               |  |  |  |  |  |  |  |
|                               |  |  |  |  |  |  |  |

This specification is the property of Harbour Industries Canada Limited and may not be used or copied without the express written permission of Harbour Industries Canada Limited.

|                              |            |              |
|------------------------------|------------|--------------|
| Done: <i>David Khan</i>      |            |              |
| Date: July 7, 2003           |            |              |
| Verified: <i>Carrie Lott</i> |            |              |
| Date: July 7, 2003           |            |              |
| Size: <b>A</b>               | Scale: --- | Page: 1 of 1 |

|   |                                    |                 |
|---|------------------------------------|-----------------|
| <br>1365, boul. Industriel, Farnham, Quebec, Canada, J2N 2X3<br>Phone: (450) 293-5304 Fax: (450) 293-2421 Web site: www.harbourind.com |                                    |                 |
| Description: <b>G.E. 362A2370P006</b>   |                                    |                 |
| Code Ident. No: <b>57104</b>  | Specification No.: <b>F03230-S</b> | Rev. <b>---</b> |

**UNCONTROLLED DOCUMENT**  
 A later revision of this specification may exist.