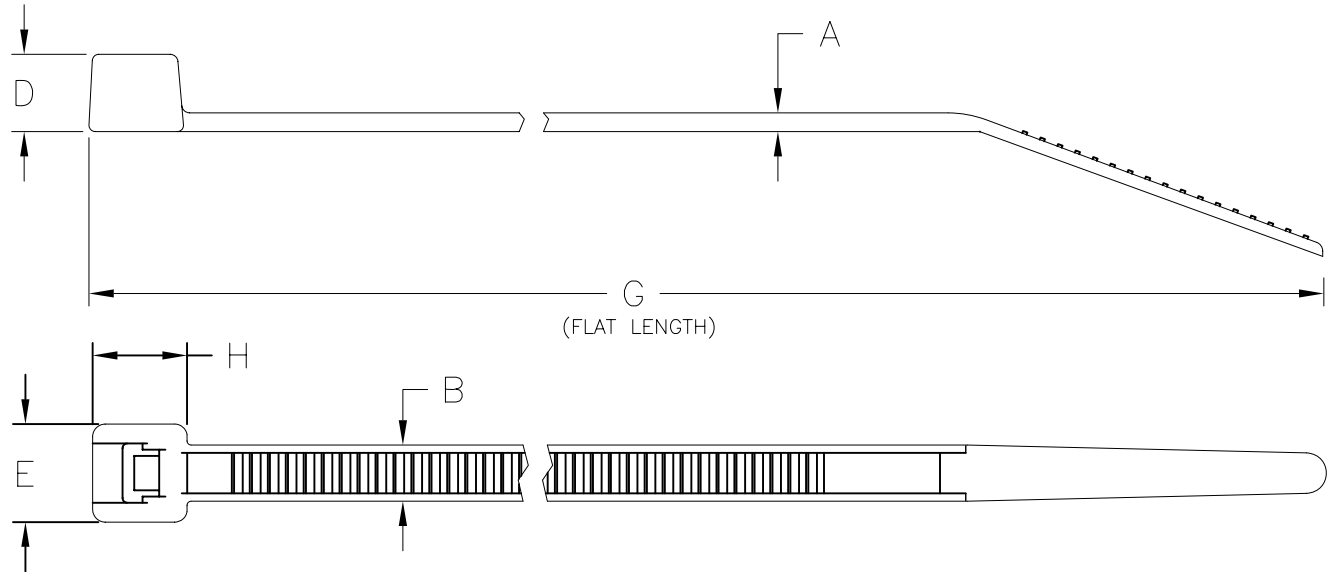


Revision level		Revision Record	Changed	Date	Approved	Date
part	drawing					
	04	See ECN 010359	A.A.C.	02/20/06	K.A.C.	02/20/06



PRODUCT CODE DESCRIPTION

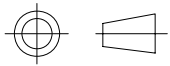
T30R_VO
 COLOR
 (CONSULT FACTORY FOR AVAILABLE COLORS)

135N
Minimum Loop Tensile Strength
SEE CHART
Material
Dimension tolerances unless otherwise specified .XXX = .XXX = .XX = .X = NOTED < =
Dimension Units mm
PERFORMANCE SPECIFICATION



Aerospace Spec. Tie SAE AS33671 Type 1, Class 1	Product Code	Cable Range (mm)	Material	A	B	D	E	G	H
yes	T30R_	1.5 to 35	PA66	1.1 ±0.2	3.6 ±0.5	4.28 ±0.8	6.0 ±0.5	148.0 ±7.0	5.9 ±0.5
no	T30R_STNL	1.5 to 35	PA46						
no	T30R_VO	3 to 35	PA66VO						
no	T30R_HS	1.5 to 35	PA66HS						
no	T30R_UV	1.5 to 35	PA66UV						

ACAD MECH
2006



Drawn G.G.G. 11/9/93
 Approved K.A.C. 02/20/06

Scale 2:1
 Computer File Number CT\CST\2030001_04

ALL PROPRIETARY RIGHTS IN THE SUBJECT MATTER SHOWN ON THIS DRAWING ARE EXCLUSIVE PROPERTY OF HELLERMANN TYTON

HellermannTyton®

7930 N. Faulkner Rd.
 Milwaukee, WI 53224
 Ph: (414) 355-1130
 Fx: (414) 362-8338

**T30R
 STANDARD CABLE TIE**

Drawing-No

CT2030001CST

Format AH
 Sheet 1 of 1

Product Number			
Type Number	UNS Universal Number System	Customer Drawing Title	Description
T30R8STNLM4	111-00968		Cable Tie, 30lb. 6" Max. PA46 Gray Color
Issued By:	Reference Drawing Number:		Issue Date:
HellermannTyton	CT2030001CST		Sept 18th, 2012