

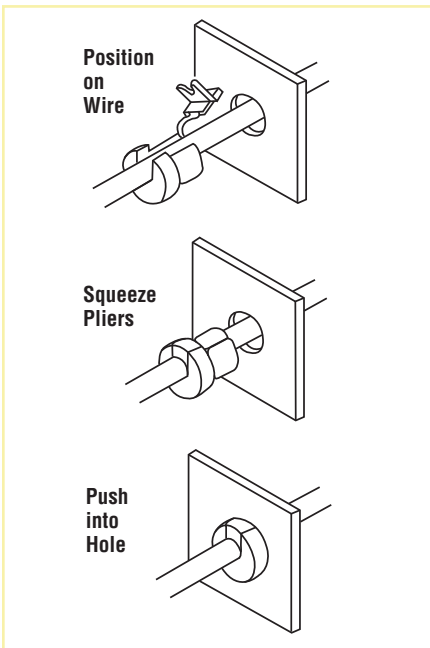


# Heyco® Original Strain Relief Bushings

## Straight-Thru for Round Cables

.375" (9,5 mm) to .500" (12,7 mm) Mounting Holes

- Protects the lifeline of your electric/electronic products by absorbing the forces of pull, push, and twist that maybe exerted on the flexible power cord.
- Securely anchors, insulates, and protects cables and panel entry points.
- Sizes SR 2-Series to SR 6-Series for mounting hole diameters from .375" (9,5 mm) to .500" (12,7 mm).
- See page 4-38 for corresponding **Mounting Hole Plugs** which can be used to fill blank/unused Mounting Holes and thus allow for a single panel design for multiple applications.
- See pages 4-27 & 4-28 for SR assembly tools.
- See schematic on page 4-20.



WILL FIT THESE CABLES				PANEL DIMENSIONS						PART NO.	DESCRIPTION	PART DIM.		Mounting Hole Plug	
UL Type	AWG/ Conductors	Approximate Size		A Mounting Hole Dia.		B To Prevent Rotation		Finished Fit Panel Thickness*		Black		C BODY LENGTH		PART NO.	
		in.	mm.	in.	mm.	in.	mm.	in.	mm.			in.	mm.		
AWM	12/-	.125-.187	3,2-4,8	.375	9,5	.330	8,4	.062	1,6	<b>1060</b>	SR 2M-1	.406	10,3	2617	
SV & SVT	18/2	.220-.245	5,6-6,2	.500	12,7	.450	11,4	.062	1,6	<b>1157</b>	SR 5MN-3	.438	11,1	2491	
Same as SR 5MN-3 above except									.100	2,5	<b>1140</b>	SR 5M-3	.438	11,1	2491
For custom interlock cable, not UR		.250	6,4	.560	14,2	.730	18,5	.125	3,2	<b>1487</b>	SR 30-1A**	.672	17,1	consult Heyco	
		.265	6,7	.560	14,2	.730	18,5	.125	3,2	<b>1490</b>	SR 30-1B**				
SV & SVT	18/2	.250	6,4	.500	12,7	.450	11,4	.062	1,6	<b>1150</b>	SR 5N-4	.438	11,1	2491	
	18/3	.255	6,5	.500-.515	12,7-13,1										
HPD	18/2	.270	6,9	.500	12,7	.450	11,4	.062	1,6	<b>1150</b>	SR 5N-4	.438	11,1	2491	
	16/2	.290	7,4	.500-.515	12,7-13,1										
SJT	18/2	.300	7,6	.531	13,5	.450	11,4	.062	1,6	<b>1150</b>	SR 5N-4	.438	11,1	2491	
Same as SR 5N-4 above except															.100
									.156	4,0	<b>1154</b>	SR 5L-1	.438	11,1	consult Heyco
SV & SVT	18/2	.255	6,5	.500	12,7	.450	11,4	.100	2,5	<b>1137</b>	SR 5P3-4	.438	11,1	2491	
	18/3	.270	6,9												
HPD	18/2	.290	7,4	.500	12,7	.465	11,8	.090	2,3	<b>1184</b>	SR 6W-1	.438	11,1	2491	
SJ, SJT & SJO	18/2	.300	7,6												
SPT-3	16/2														

Standard color black. Consult Heyco for white and other colors.  
 \*Maximum Panel Thickness. Part has additional clearance. Consult Heyco for your Custom Finished Fit Panel Thickness.  
 \*\*Use Elongated Mounting Hole.

Quick Specs

**Material** Nylon 6/6  
**Certifications** Recognized under the Component Program of Underwriters' Laboratories File E15331  
 Certified by the Canadian Standards Association File 8919  
**Flammability Rating** 94V-2  
**Material Temperature Index** 257°F (125°C)—Maximum temperature on part not to exceed 221°F (105°C)