

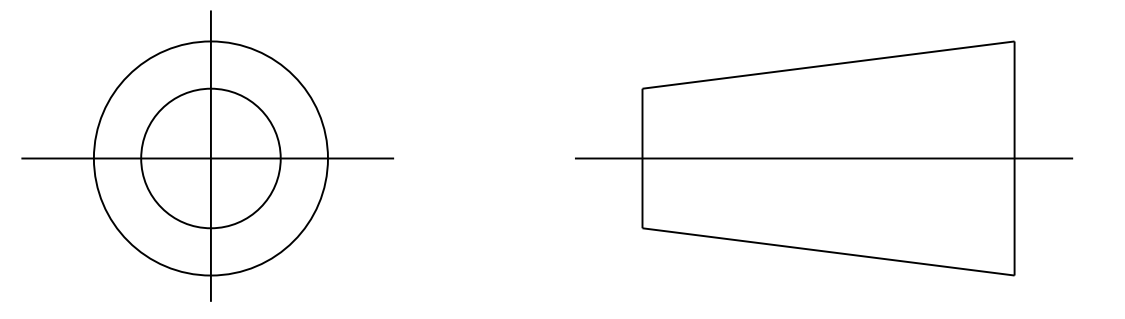
Heatshrinkable Moulded Shapes Bulbous Right Angles HellermannTyton

DRAWING No.
152100

SHT. 1
OF
1 SHTS.

© THE COPYRIGHT OF THIS DRAWING IS RESERVED BY HELLERMANN TYTON. IT IS ISSUED ON CONDITION THAT IT IS NOT COPIED, REPRODUCED OR DISCLOSED TO A THIRD PARTY EITHER WHOLLY OR IN PART WITHOUT THE CONSENT IN WRITING OF HELLERMANN TYTON.

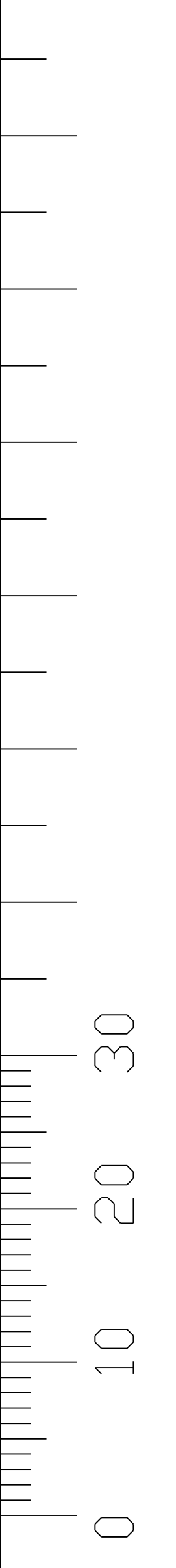
THIRD ANGLE PROJECTION



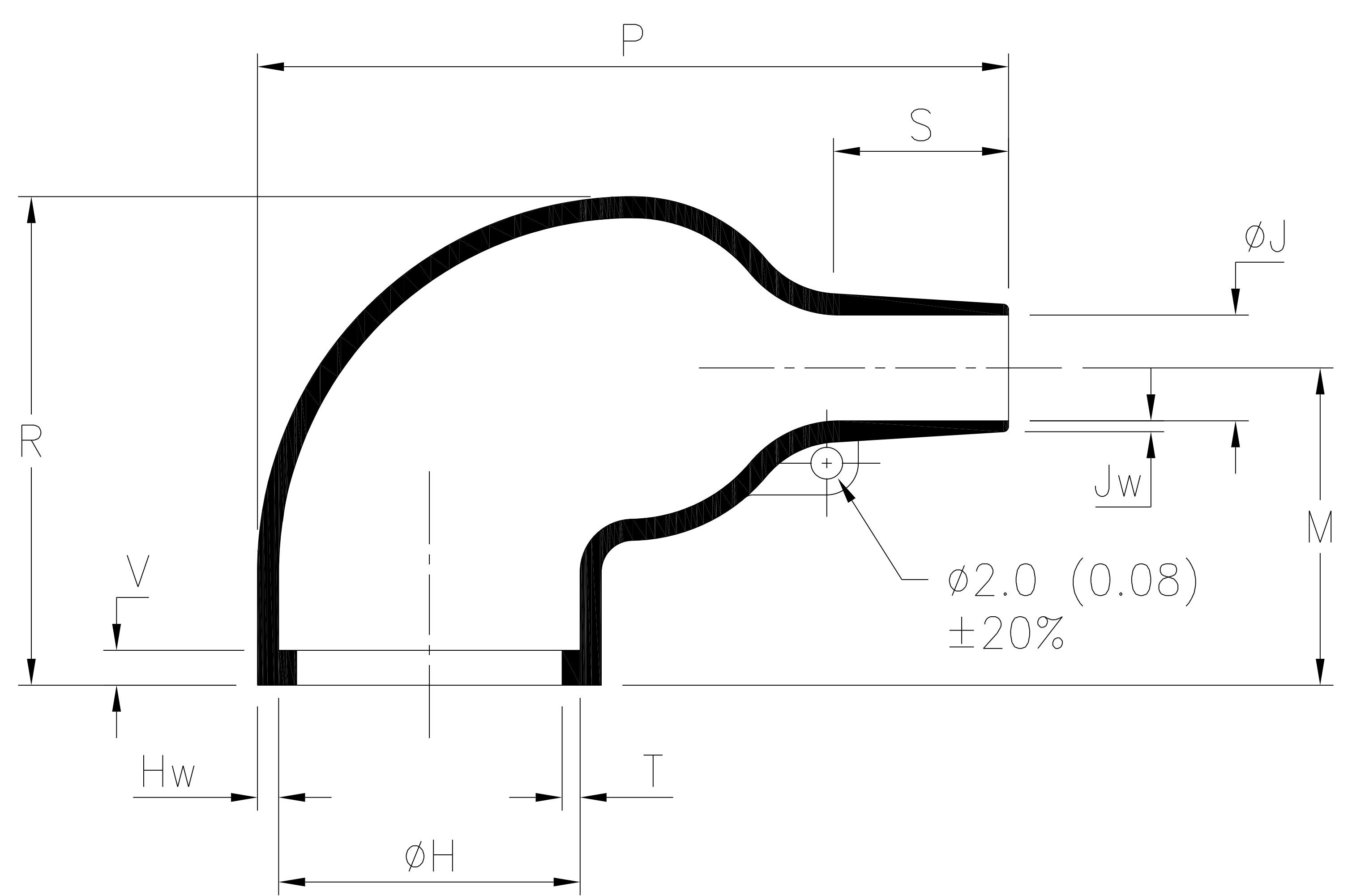
BS 8888

DO NOT SCALE
IF IN DOUBT ASK

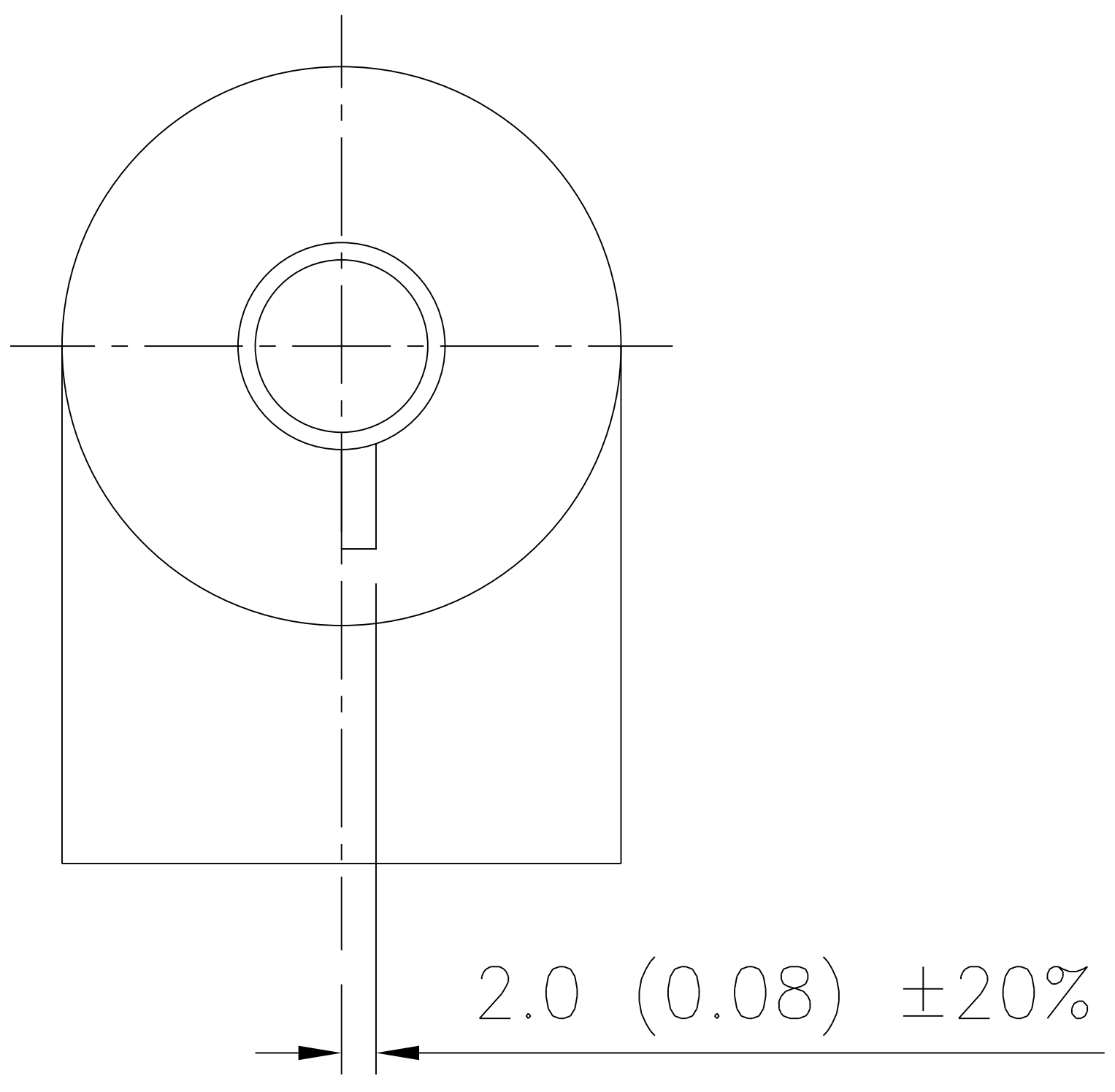
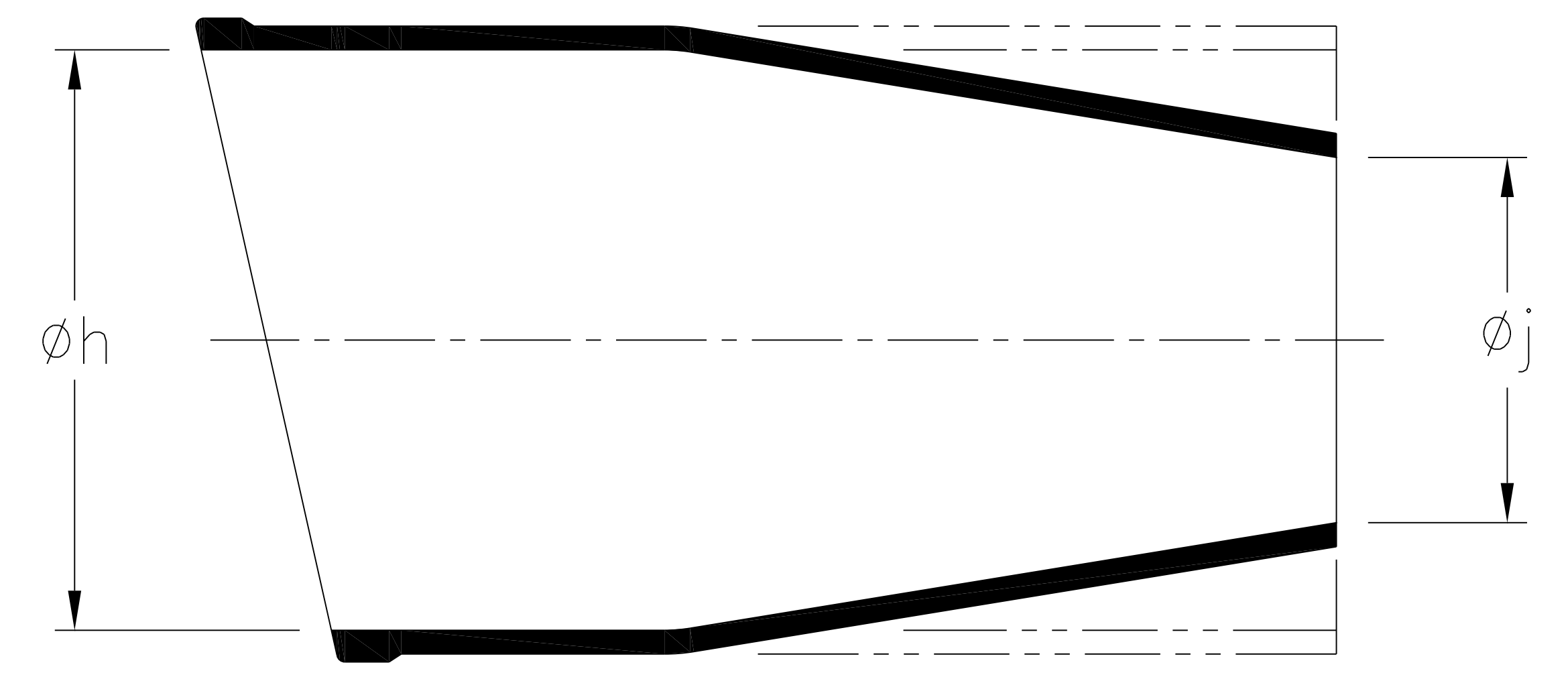
Q.A.	H/S SETT
H/S Q.A.	REL. INSP.
H/S PROD	EXT. ISS. CODE



STANDARD PART (AFTER UNRESTRICTED RECOVERY)



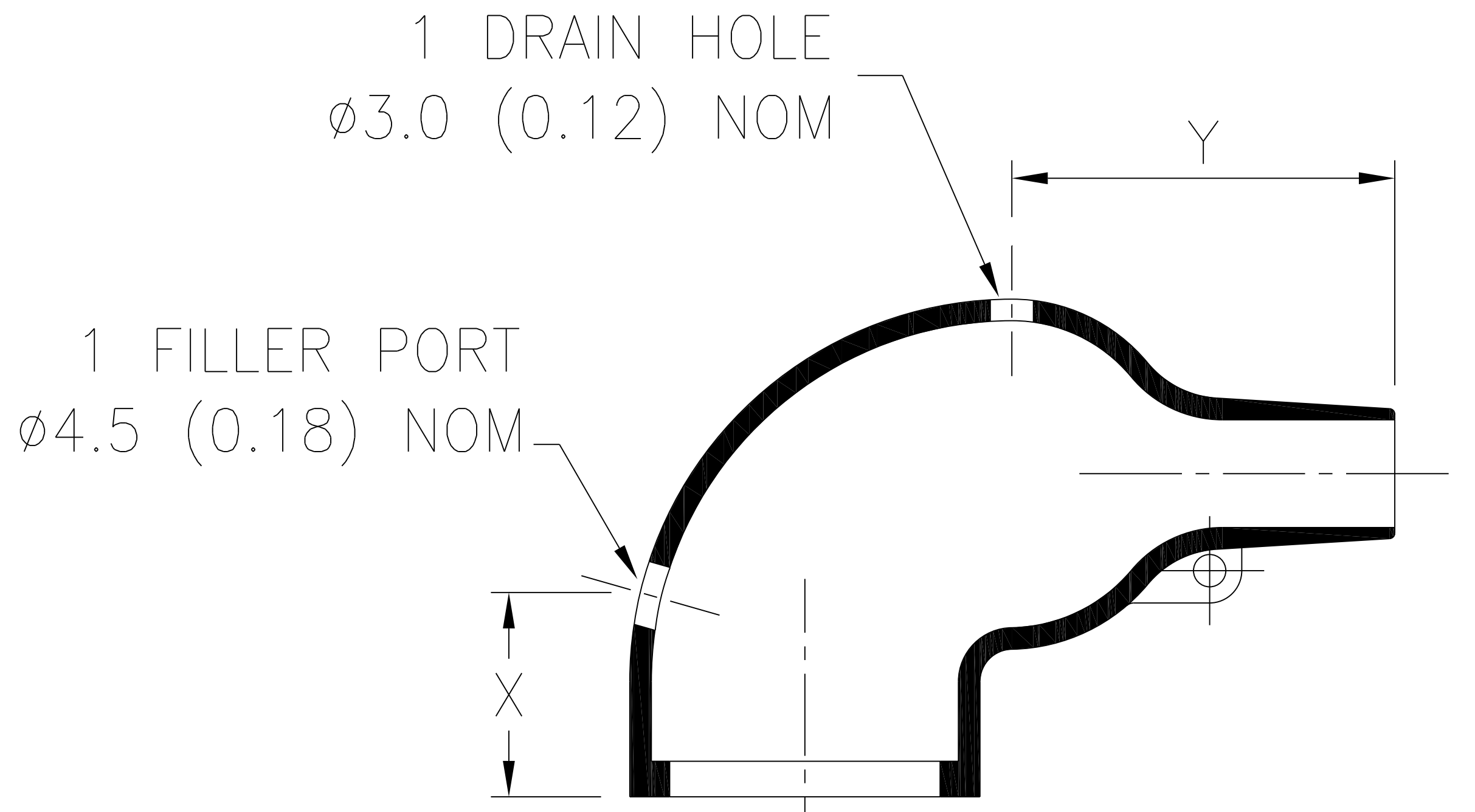
EXPANDED (AS SUPPLIED)



OPTION TO STANDARD PART
FILLER PORT (CODE P)

SPEC.	PART No.	EXPANDED DIAMETERS (AS SUPPLIED)		RECOVERED DIAMETERS		RECOVERED DIMENSIONS							
		phi_h	phi_j	phi_H	phi_J	M	P	R	S	T	V	Hw	Jw
		MIN	MIN	MAX	MAX	NOM	±20%	±10%	NOM	±20%	MAX	±20%	±30%
VG 95343 T06E001A	1152-4	24 (0.94)	24 (0.94)	10.5 (0.41)	6 (0.24)	19 (0.75)	32 (1.26)	25 (0.98)	10 (0.39)	1.0 (0.04)	3.3 (0.13)	1.3 (0.05)	1.0 (0.04)
-	1152-6	24 (0.94)	14 (0.55)	10.5 (0.41)	6 (0.24)	19 (0.75)	32 (1.26)	25 (0.98)	10 (0.39)	1.0 (0.04)	3.3 (0.13)	1.3 (0.05)	1.0 (0.04)
-	1152-50	24 (0.94)	12 (0.47)	10.5 (0.41)	6 (0.24)	19 (0.75)	32 (1.26)	25 (0.98)	10 (0.39)	1.0 (0.04)	3.3 (0.13)	1.3 (0.05)	1.0 (0.04)

OPTIONAL FILLER PORT DETAIL			
SPEC.	PART No.	RECOVERED DIMENSIONS	
		X	Y
		±20%	±20%
VG 95343 T07E001A	1152-4	18 (0.71)	16 (0.63)
-	1152-6	18 (0.71)	16 (0.63)
-	1152-50	18 (0.71)	16 (0.63)



Heatshrinkable Moulded Shapes Bulbous Right Angles HellermannTyton

For information only, not subject to technical changes.

6	P1499	GL	24/02/15
5	P1362	DJC	05/10/11
4	P1329	G.B.	11/10/10
3	P1245	G.B.	08/12/08
2	P1244	G.B.	19/11/08
ISSUE	NOTE No.	DRAWN	DATE

HellermannTyton
William Prance Road,
Plymouth International Med. & Tech. Park,
Plymouth, PL6 5WR
Tel ++44 (0) 1752 701261
Fax ++44 (0) 1752 790058

NAME	S.Almond	SCALE	NTS	ADHESIVE	A3	SHT. 1
DATE	18/04/08	DIMS IN	mm (in)		ORIGINAL SHEET SIZE 420mm x 297mm	OF 1 SHTS.
TITLE	RT. ANGLE SLEEVE		PART No.	1152	DRAWING No. 152100	