

1) CONSTRUCTION:

CONDUCTOR:	12 AWG 19/.0185 STRANDED TINNED COPPER	NOM. DIA.	.090"
INSULATION:	HIGH DENSITY POLYETHYLENE, .034" NOM. WALL THICKNESS		.158"
CABLE:	(2) COLOR CODED SINGLES TWISTED TOGETHER TO FORM A CABLE CORE.		.316"
SHIELD:	ALUMINIZED POLYESTER FOIL SHIELD, (FOIL IN, 100% COVERAGE) WITH A 14 AWG STRANDED TINNED COPPER DRAIN WIRE CONTACTING THE METALIZED SURFACE FOR EASY TERMINATION.		.319"
JACKET:	POLYVINYLCHLORIDE, CHROME GRAY, .040" NOM. WALL THICKNESS	OVERALL CABLE DIAMETER	.399"

2) PHYSICAL PROPERTIES:

TEMPERATURE RATING, MAX.	60°C & 75°C
WT./M', NOM., NET.	94.5 LBS.

3) ELECTRICAL CHARACTERISTICS:

CAPACITANCE, MUTUAL, NOM.	23 PF/FT.
CAPACITANCE, GROUNDED, NOM.	47 PF/FT.
DIELECTRIC WITHSTANDING, MIN.	2000V RMS
VOLTAGE RATING, MAX.	600V
D.C. RESISTANCE, MAX. PER ASTM B286	1.92 Ω/1000'

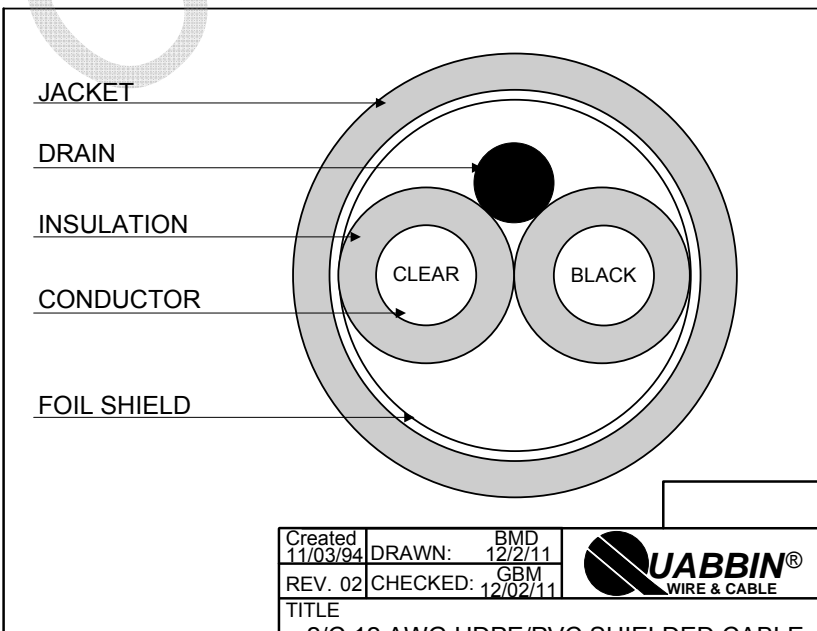
4) AGENCY APPROVALS:
 NEC (UL) TYPE CM
 CEC C(UL) TYPE CM
 UL AWM STYLE 2106

5) APPLICATION:
 INSTRUMENTATION, SOUND AND BROADCAST CABLE. RoHS COMPLIANT MATERIALS.

6) PRINT:
 QUABBIN P/N 1105R C(UL)US TYPE CM 12 AWG 75C OR AWM 2106 -- RoHS -- **(LOT DESIGNATOR)**

7) COLOR CODE:
 1. CLEAR
 2. BLACK

8) PACKAGING:
 TO BE PACKAGED AS PER QWC'S STANDARD PACKAGING



Created 11/03/94	DRAWN: BMD 12/2/11
REV. 02	CHECKED: GBM 12/02/11



TITLE	2/C 12 AWG HDPE/PVC SHIELDED CABLE -- TYPE C(UL)US CM, AWM 2106
QUABBIN P/N	1105
	1 of 1

CUSTOMER APPROVAL:

DATE: