



Databus cable for traction

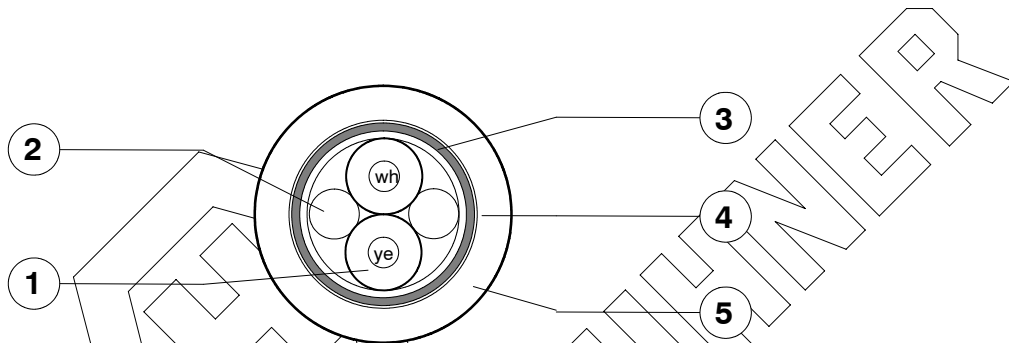
1 x 2 x 16AWG / GWK PU

General Properties :

Excellent high temperature, low temperature, oil, ozone and weathering resistance, zero halogen, flame retardant, solder iron resistant, easily strippable, flexible, excellent screening properties. Cable for symmetrical data transmission with impedance of 100 Ω with very good transmission properties at high frequencies.

Application :

For permanent installation inside of railway rolling stock to connect fixed and moving parts.



- | | | |
|--|--|--|
| <ol style="list-style-type: none"> 1. 2 cores 16 AWG 2. 2 fillers 3. Wrapping 4. EMC - Screen optimised 5. Sheath | <p>Conductor : flexible tin plated copper
 Insulation : Radox foam
 Colours : white, yellow</p> <p>Plastic tape</p> <p>Tin plated copper braid</p> <p>GWK PU, colour : black</p> | <p>19 x 0.28 mmØ
 Ø : 2.80 mm</p> <p>Ø : 6.50 mm</p> <p>Ø : 8.6 ± 0.3 mm</p> |
|--|--|--|

Marking : H + S 558 462 12 - ZZ Production lot number

Copyright 2007 Huber + Suhner AG. This document may not be copied nor be passed on to third parties without our written permission.
 Uncontrolled copy when printed (will not be updated).

The product fulfils the test and specification requirements described in this document for the stated areas of application and operating conditions. HUBER+SUHNER AG does not expressly or implicitly guarantee performance under additional or changed conditions. Deviations are to be agreed upon in writing.

HUBER+SUHNER
 Wire+Cable Division
 CH-8330 Pfäffikon
 +41 (0)44 952 22 11
 +41 (0)44 952 26 40
www.hubersuhner.com



Databus cable for traction

1 x 2 x 16AWG / GWK PU

Technical Data :

Data bus pair 2x16 AWG :

Conductor resistance at 20°C	≤ 16.9	Ω / km
Test voltage, 5 min. core / core	2 000	V AC
 core / screen	2 000	V AC
Insulation resistance at 20°C	> 100	MΩ · km
Mutual capacitance nom.	50	pF / m
Capacitive unbalance to shield	< 1.0	pF / m
Impedance f = 0.75 ... 3 MHz	100 ± 15	Ω
Attenuation f = 1 MHz	≤ 14.2	dB / km
 f = 2 MHz	≤ 21.0	dB / km
 f = 3 MHz	≤ 26.3	dB / km
Transferimpedance f ≤ 20 MHz	≤ 250	mΩ / m
Temperature range	- 40 ... + 100	°C
Min. bending radius fixed	3 x cable dia.	
 flexing	4 x cable dia.	
Cable weight per 100m	approx. 10.0	kg

