

Web site: www.marinco.com
Phone: 800-307-6702
Date: November, 2010 Rev: 01

Receptacle, locking
3-wire, dc

Catalog Number: 12VBP

Item: Plug, locking, 3-wire
Mates with 12VBR receptacle

Rating: 48V dc max.

Materials: All rigid plastic parts are glass-filled nylon.
Blades are solid brass, .062" thick, nickel plated.
Cover is molded flexible vinyl.

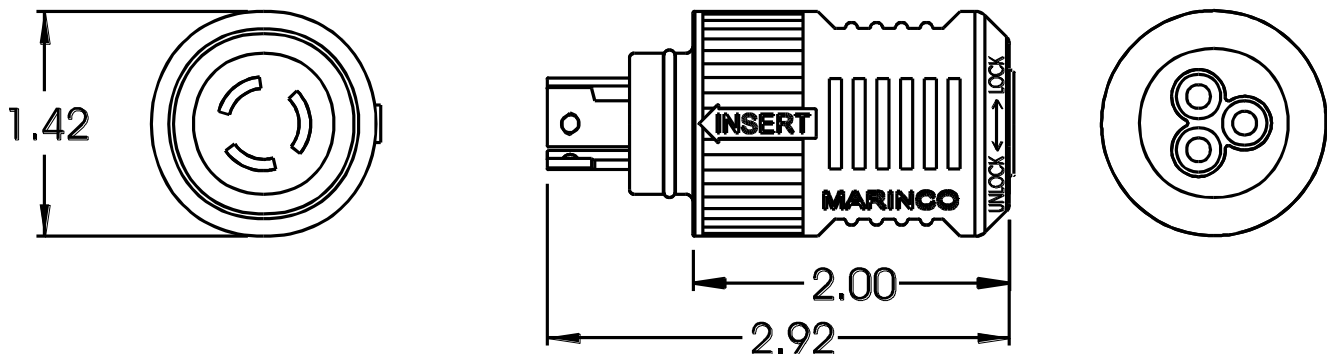
Terminals: Tempered brass, clamp style.
Accommodates 16 to 8 AWG wire.

Terminal Identification: Terminal openings are identified by numbers.

Cord Clamp: Internal.

Overall Design: Beveled housing. Dust seal at cord entry.
O-ring on plug body seals with 12VBR receptacle

Dimensions:



Dimensions shown in inches