

Web site: www.marinco.com

Phone: 800-307-6702

Date: July, 2011

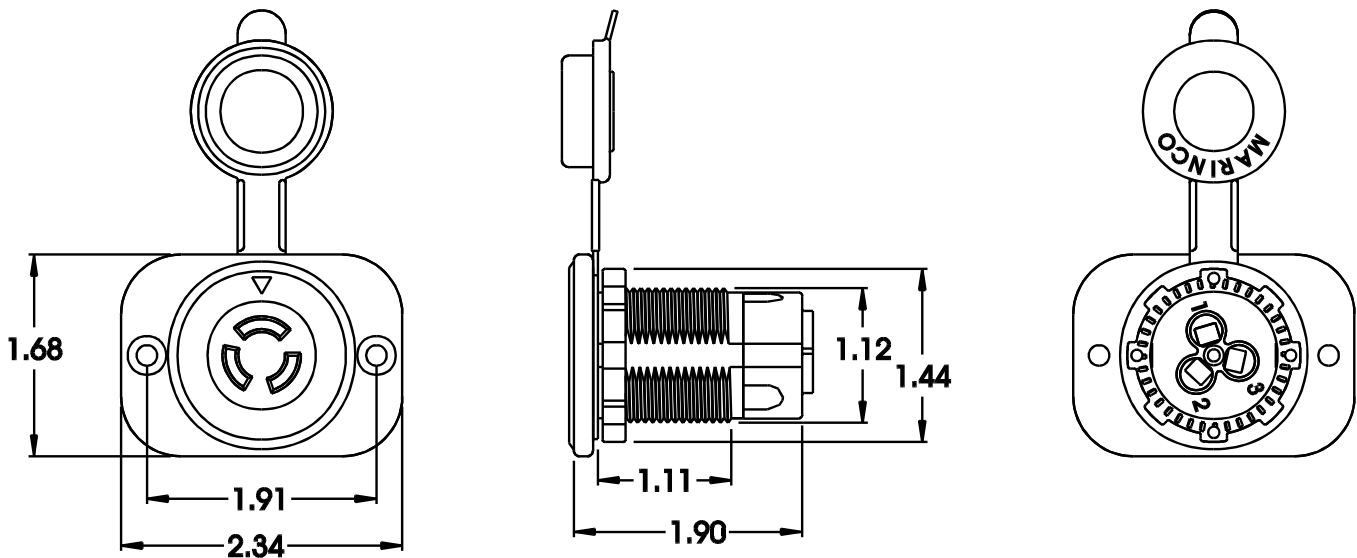
Rev: 02

Receptacle, locking
3-wire

Catalog Number: 12VBR

- Item:** Receptacle, locking, 3-wire.
Mates with 12VBP plug.
- Rating:** 48V dc max.
- Materials:** All rigid plastic parts are heat resistant, glass-filled nylon.
Contacts are one-piece solid brass, .032" thick, nickel plated.
Closure cap is molded flexible vinyl.
- Terminals:** Tempered brass, lug style, Perma-Lock™ design.
Accommodates 10 and 8 AWG wire.
Optional adapter (Cat. No. 12VBRAD) available for 6 AWG wire.
- Terminal Identification:** Terminal openings are identified by numbers.
- Overall Design:** Provided with locknut for rear mounting and mounting plate for front mounting (#8 oval head screws recommended, not provided).
Optional angle plate (Cat. No. 12BK) for mounting beneath a surface or structure.

Dimensions:



Dimensions shown in inches