

# “Stay Connected with Heyco” Strain Relief Bushings



## Heyco® Original Strain Relief Bushings

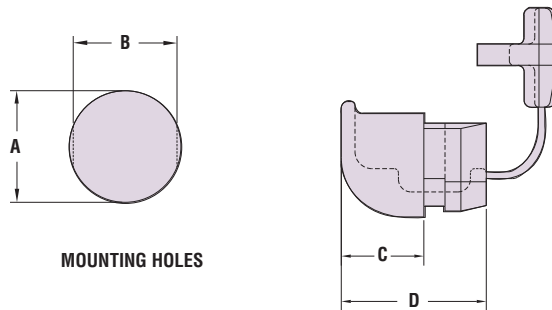
### Right Angle for Round Cables

- Provides the same protection for your power supply cable as the straight-thru type AND...
- **Exits the cable flush against the panel**, saving space and directing the cable parallel to the panel.
- Overcomes space limitations and acts as a back or bottom bumper.
- See page 4-38 for corresponding **Mounting Hole Plugs** which can be used to fill blank/unused Mounting Holes and thus allow for a single panel design for multiple applications.
- Consult Heyco for other wire types and sizes.
- See pages 4-27 & 4-28 for SR assembly tools.

UL Type	WILL FIT THESE CABLES		PANEL DIMENSIONS						PART NO. Black	DESC	PART DIMENSIONS				Mounting Hole Plug PART NO.	
	AWG/ Conductors	Approximate Size	A Mounting Hole Dia.		B To Prevent Rotation		Finished Fit Panel Thickness*				C HEAD LENGTH		D BODY LENGTH			
		in.   mm.	in.   mm.	in.   mm.	in.   mm.	in.   mm.	in.   mm.	in.   mm.	in.   mm.	in.   mm.	in.   mm.	in.   mm.	in.   mm.			
SV & SVT	18/2	.250   6,4	.500   12,7	.450	11,4	.100	2,5	1374	SR 15-1	.390	9,9	.687	17,5	2491		
	18/3	.265   6,7	.500-.515   12,7-13,1													
HPD	18/2	.270   6,9	.500   12,7	.450	11,4	.100	2,5	1374	SR 15-1	.390	9,9	.687	17,5	2491		
	16/2	.290   7,4	.500-.515   12,7-13,1													
SJ, SJO & SJT	18/2	.300   7,6	.625   15,9	.550	14,0	.062	1,6	1323	SR 10N-2	.562	14,3	.968	24,6	2497		
	16/2	.325   8,3														
	18/3	.330   8,4														
SJ	16/3	.330   8,4														
Same as SR 10N-2 above except								.125	3,2	1320	SR 10-2	.562	14,3	.968	24,6	2497
SJ, SJO & SJT	16/2	.325   8,3	.625   15,9	.550	14,0	.125	3,2	1327	SR 11-2	.562	14,3	.968	24,6	2497		
	18/3	.330   8,4														
	16/3	.335   9,0														
Same as SR 11-2 above except								.200	5,1	1330	SR 11K-2	.562	14,3	.968	24,6	consult Heyco
SJT	18/4	.360   9,1	.750   19,0	.660	16,8	.125	3,2	1397	SR 17-2	.640	16,3	1.093	27,7	2503		
SJT & SJTO	14/3	.370   9,4														
SJ & ST	18/2	.390   9,9	.750-.781   19,0-19,8	.660	16,8	.125	3,2	1397	SR 17-2	.640	16,3	1.093	27,7	2503		
	18/3	.405   10,3														
	16/2	.405   10,3														

Standard color black. Consult Heyco for white and other colors.

\*Maximum Panel Thickness. Part has additional clearance. Consult Heyco for your Custom Finished Fit Panel Thickness.



Quick Specs

Material	Nylon 6/6
Certifications	Recognized under the Component Program of Underwriters' Laboratories File E15331 Certified by the Canadian Standards Association File 8919
Flammability Rating	94V-2
Temperature Range	-04°F (-18°C) to 221°F (105°C)