

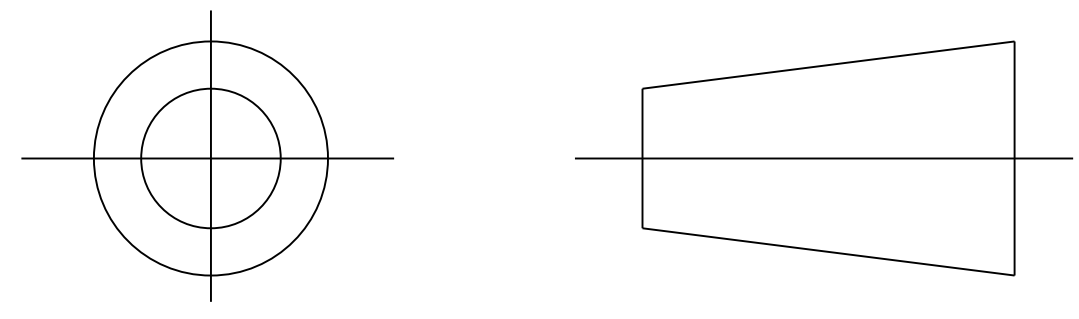
Heatshrinkable Moulded Shapes Bulbous Long Outlets HellermannTyton

DRAWING No.
152018

SHT. 1
OF
1 SHTS.

© THE COPYRIGHT OF THIS DRAWING IS RESERVED BY HELLERMANN TYTON. IT IS ISSUED ON CONDITION THAT IT IS NOT COPIED, REPRODUCED OR DISCLOSED TO A THIRD PARTY EITHER WHOLLY OR IN PART WITHOUT THE CONSENT IN WRITING OF HELLERMANN TYTON.

THIRD ANGLE PROJECTION

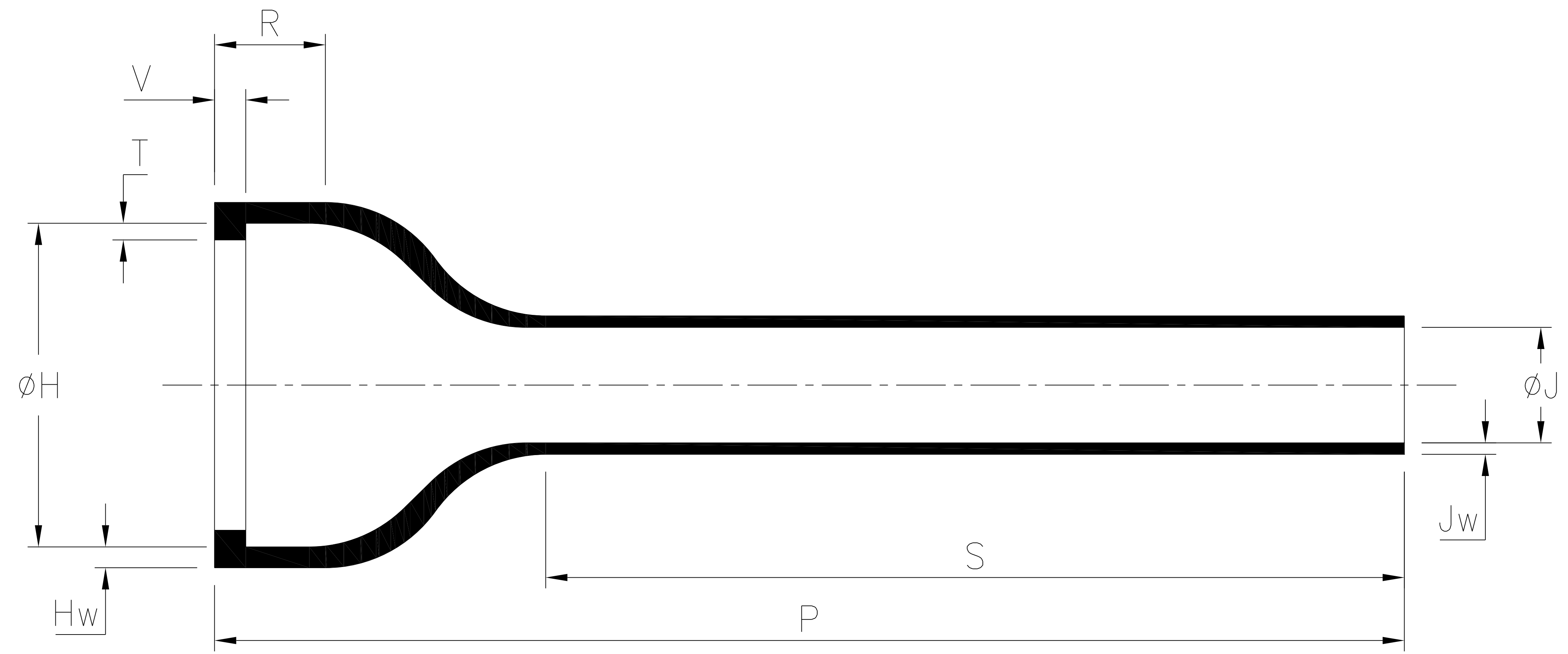


BS 8888

DO NOT SCALE
IF IN DOUBT ASK

Q.A.	H/S SETT
H/S Q.A.	REL. INSP.
H/S PROD	EXT. ISS. CODE

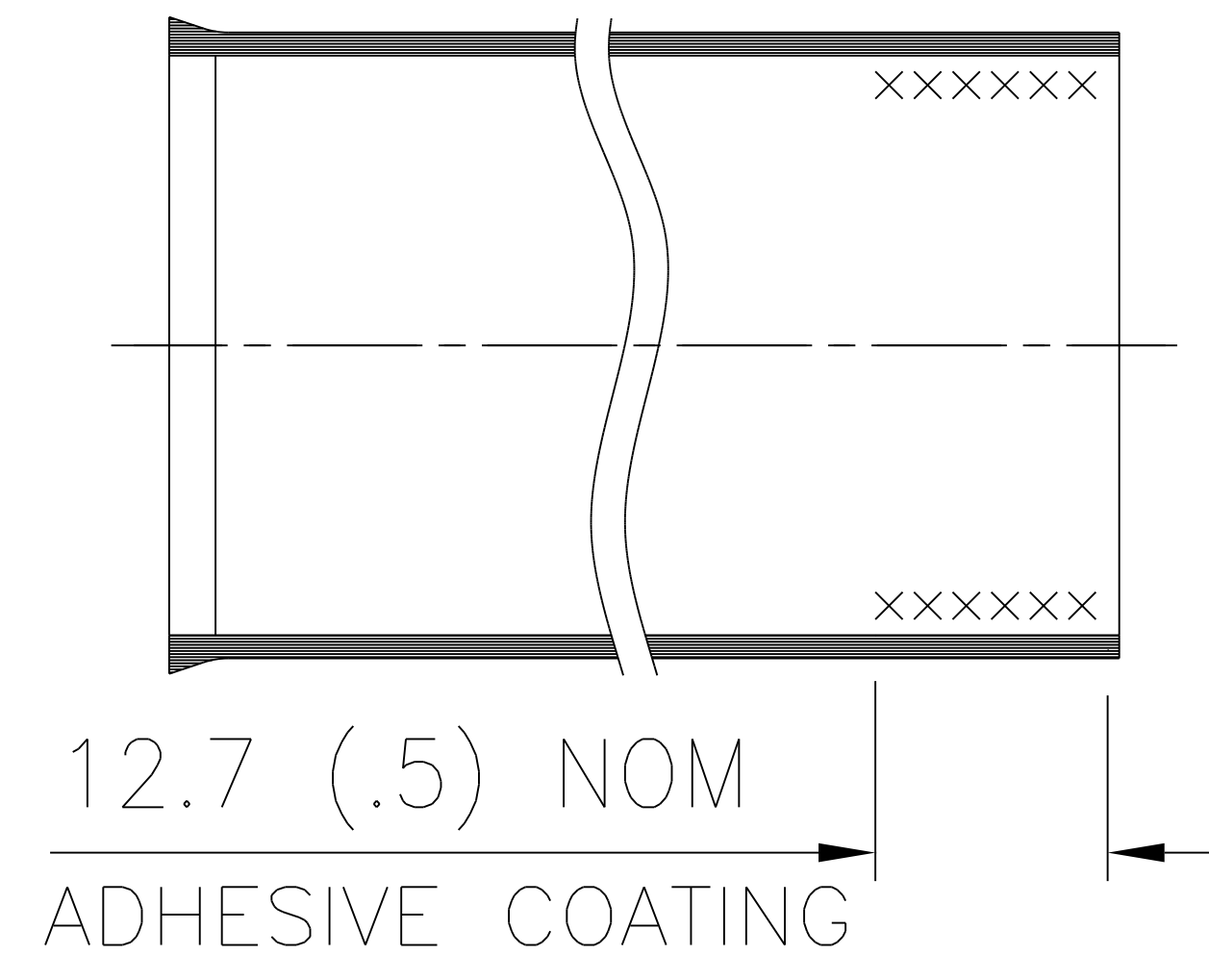
STANDARD PART (AFTER UNRESTRICTED RECOVERY)



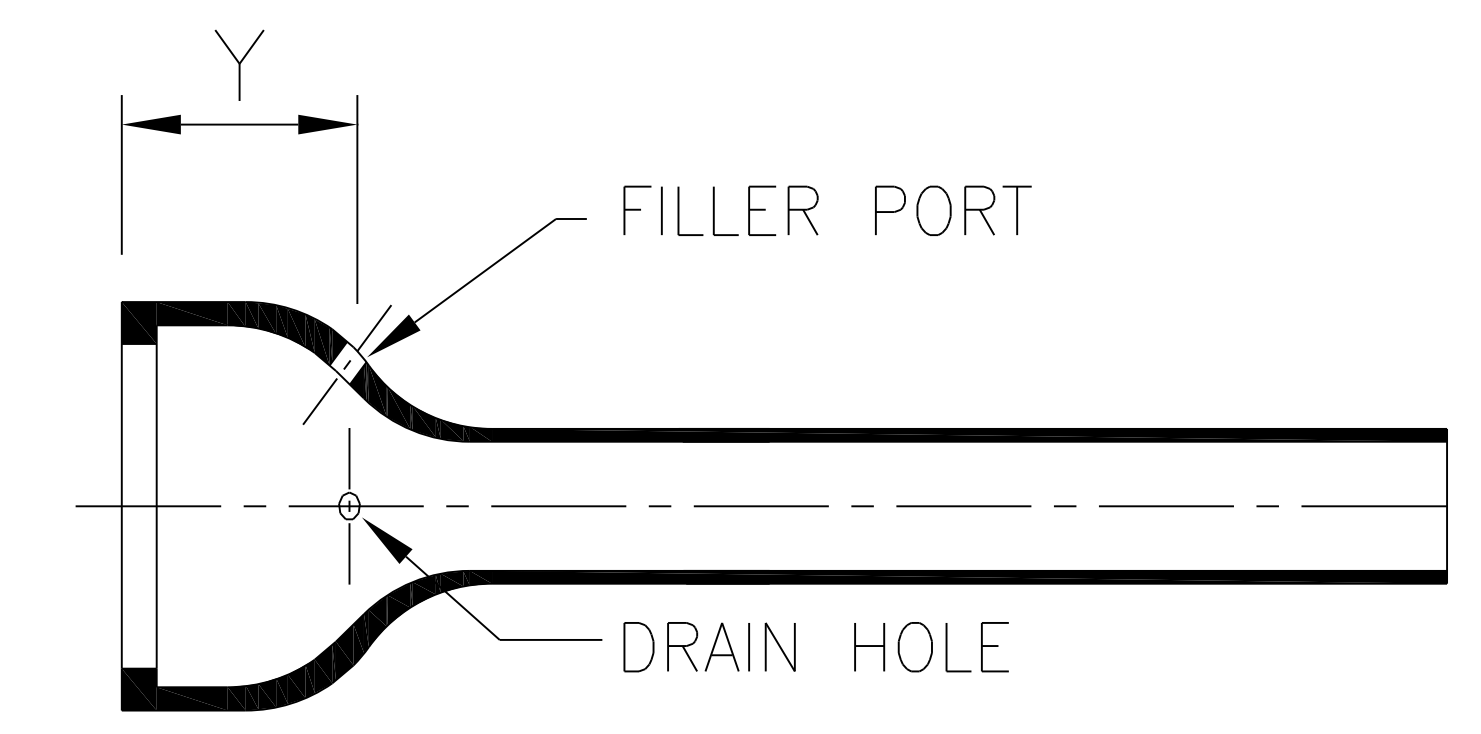
EXPANDED (AS SUPPLIED)



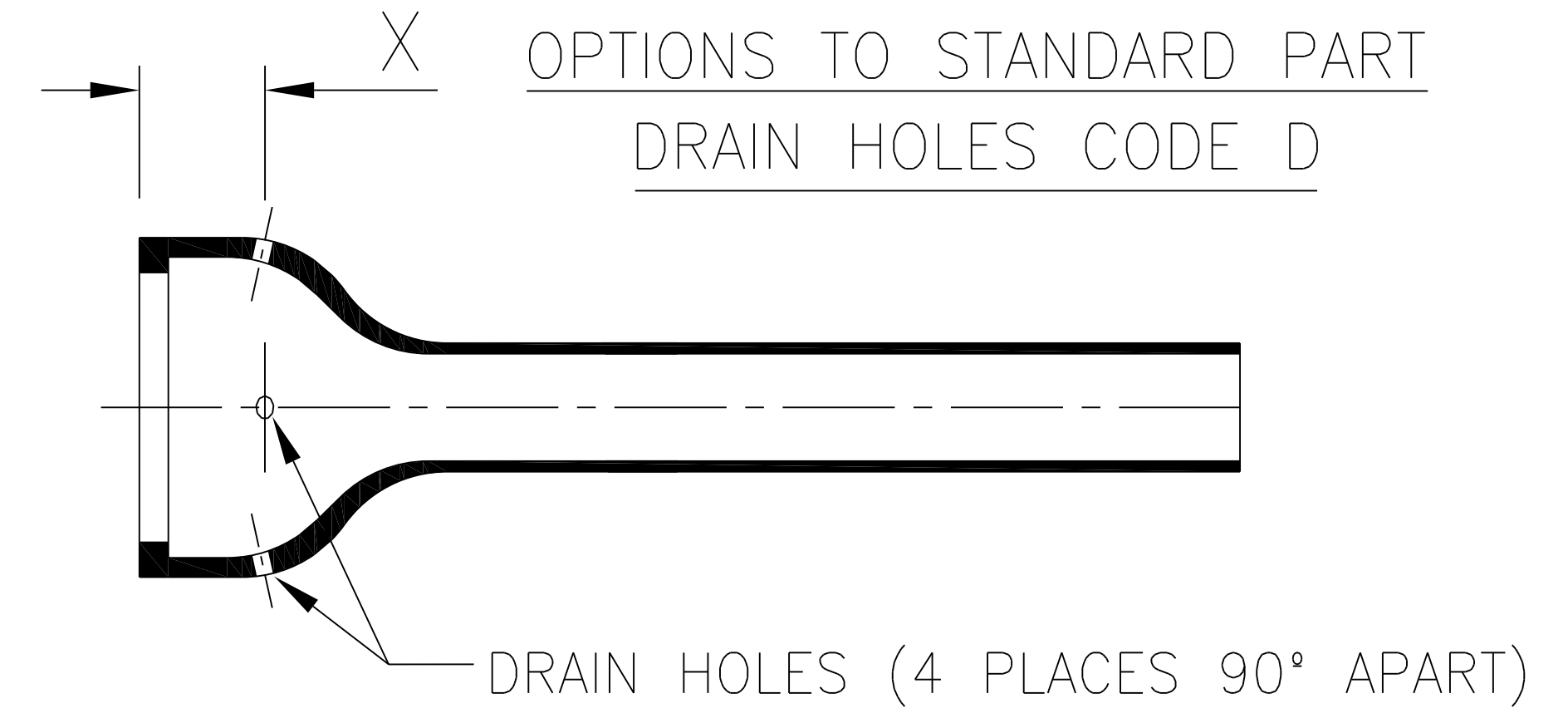
OPTIONS TO STANDARD PART
ADHESIVE DETAIL
(*134-6 ONLY)



OPTIONS TO STANDARD PART
FILLER PORT/DRAIN HOLE CODE P



OPTIONS TO STANDARD PART
DRAIN HOLES CODE D



SPEC.	PART NO.	EXPANDED DIAMETERS (AS SUPPLIED)		RECOVERED DIAMETERS		RECOVERED DIMENSIONS								
		øh	øj	øH	øJ	P		R	S	T	V	Hw	Jw	
		MIN	MIN	MAX	MAX	±10%	±6.4 (0.25)	NOM	NOM	±20%	MAX	±20%	±30%	±20%
VG 95343 T06D006A	134-1	43.5 (1.71)	43.5 (1.71)	34 (1.34)	12 (.47)	114 (4.49)		15 (.59)	74 (2.91)	1.7 (.065)	3.3 (.13)	2.0 (.08)	1.1 (.04)	-
MIL SPEC	134-4	43.7 (1.72)	43.7 (1.72)	34 (1.34)	12.2 (.48)		203.2 (8.00)	15.2 (.60)	163.2 (6.42)	1.7 (.065)	3.3 (.13)	2.0 (.08)	-	1.1 (.04)
-	*134-6	43.5 (1.71)	43.5 (1.71)	34 (1.34)	12 (.47)	56.4 (2.22)		15 (.59)	16.4 (.65)	1.7 (.065)	3.3 (.13)	2.0 (.08)	1.1 (.04)	-
-	134-7	43.7 (1.72)	43.7 (1.72)	34 (1.34)	12.2 (.48)	56.4 (2.22)		15.2 (.60)	16.4 (.65)	1.7 (.065)	3.3 (.13)	2.0 (.08)	1.1 (.04)	-
-	134-9	51.8 (2.04)	51.8 (2.04)	34 (1.34)	12 (.47)	80 (3.15)		15 (.59)	40 (1.57)	1.7 (.065)	3.3 (.13)	2.0 (.08)	1.1 (.04)	-
-	134-42	43.7 (1.72)	43.7 (1.72)	34 (1.34)	12.2 (.48)	114.3 (4.50)		15.2 (.60)	74.3 (2.93)	1.7 (.065)	3.3 (.13)	2.0 (.08)	1.1 (.04)	-
-	134-50	43.5 (1.71)	24.4 (.96)	34 (1.34)	12 (.47)	114 (4.49)		15 (.59)	74 (2.91)	1.7 (.065)	3.3 (.13)	2.0 (.08)	1.1 (.04)	-
-	134-52	43.5 (1.71)	24.4 (.96)	34 (1.34)	12 (.47)	203.2 (8.00)		15 (.59)	163.2 (6.42)	1.7 (.065)	3.3 (.13)	2.0 (.08)	1.1 (.04)	-

OPTIONAL FILLER PORT/DRAIN HOLES DETAIL

SPEC.	PART NO.	RECOVERED DIMENSION	
		X	Y
		±10%	±10%
VG 95343 T07D006A	134-1	-	20 (.79)
MIL SPEC	134-4	11.9 (0.47)	19.8 (0.78)
-	*134-6	-	20 (.79)
-	134-7	-	19.8 (.78)
-	134-9	-	20 (.79)
-	134-42	-	20 (.79)
-	134-50	-	20 (.79)
-	134-52	11.9	19.8

CODE & TYPE	RECOVERED HOLE DETAILS
P FILLER PORT/DRAIN HOLE	FILLER PORT = ø4.5mm NOM (.18) DRAIN HOLE = ø3.0mm NOM (.12)
D DRAIN HOLES	ALL 4 HOLES ø3mm NOM (.12)

Heatshrinkable Moulded Shapes Bulbous Long Outlets HellermannTyton

For information only, not subject to technical changes.

8	P1500	DC	9/3/2015
7	P1460	CB	21/05/14
6	P1392	GB	21/08/12
5	P1342	DJC	10/05/11
4	P1328	DC	08/10/10
ISSUE	NOTE No.	DRAWN	DATE

HellermannTyton
William Prance Road,
Plymouth International Med. & Tech. Park,
Plymouth, PL6 5WR
Tel ++44 (0) 1752 701261
Fax ++44 (0) 1752 790058

NAME	S.Almond	SCALE	NTS	ADHESIVE	A3 ORIGINAL SHEET SIZE 420mm x 297mm	SHT. 1 OF 1 SHTS.
DATE	18/03/08	DIMS IN	mm (in)			
TITLE	BOTTLE SLEEVE		PART No.	134	DRAWING No. 152018	