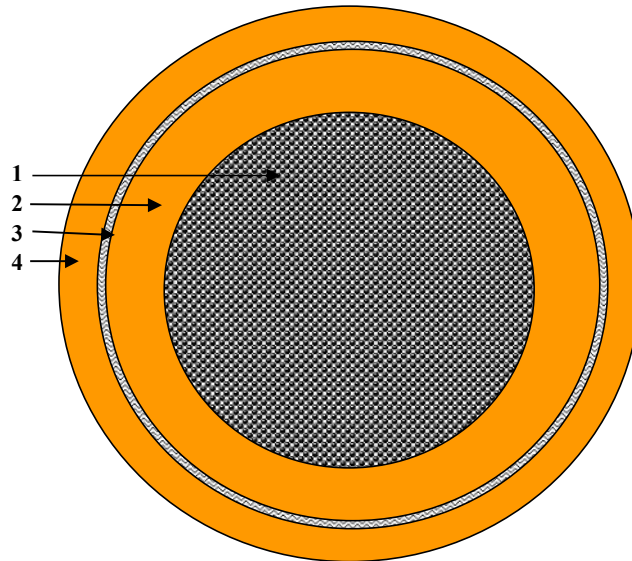


| REV.                                | DESCRIPTION   | DATE      |
|-------------------------------------|---|-----------|
| 0                                   | Initial release.  | 9/26/2014 |
| 1                                   | Braid AWG, Corresponding ODs, and Print<br>High Voltage 6 AWG EXTRAD HVFX/XLE Shielded Cable 1000 volts | 5/9/2024  |
| <b>General Properties</b>           |   |           |
| <b>Application</b>                  | Hybrid or Electric Powered Vehicles   |           |
| <b>General Composition of Cable</b> | See Below   |           |



**Color Code**

|              |        |
|--------------|--------|
| Inner        | Orange |
| Outer Jacket | Orange |

| Physical Data  | Description                                     | Dimensions (Nom.)          |                     |
|----------------|---|----------------------------|---------------------|
|                |   | inches                     | mm                  |
| 1. Conductor:  | 6 133/27 bare copper                            | 0.195                      | 4.95                |
| 2. Insulation: | EXRAD HVFX wall thickness: 35 mil               | 0.265                      | 6.73                |
| 3. Shield      | 36 AWG tinned copper braid 95% minimum coverage | 0.288                      | 7.32                |
| 4. Jacket      | EXRAD XLE wall thickness: 25 mil                | 0.338                      | 8.59                |
|                |   | Outside diameter tolerance | +/- 0.01 +/- 0.38mm |


Print Legend: EXTRAD HVFX/XLE 6 AWG Shielded Battery Cable XXXXX xxxxx-lot code

**Electrical Data**

Conductor Resistance:: 0.407 ohms/kft 1.34 ohms/km @20° C nominal  
Voltage Rating 1000 volts max, per SAE 1654, Tested to UL 758 Section 28

**General Data**

Use: High Voltage Power Cables for Electric or Hybrid Vehicles  
Temperature Range: -55° C to +150° C per ISO 6722 3000 Hours  
Primary Insulation Meets Requirements of ISO 6722 Class D 150°C  
Jacket Insulation Meets Requirements of ISO 6722 Class D 150°C  
Weight 126 pounds/kft  
Bend Radius: inches mm  
1.4 34

|  |               |                 |   |  |
|--|---------------|-----------------|---|--|
| <br><b>UNLESS OTHERWISE SPECIFIED, DIMENSIONS AND TOLERANCES ARE IN INCHES</b><br>DO NOT SCALE THIS DRAWING | TITLE         |                 | 6 AWG BC EXTRAD HVFX/XLE Shielded Battery Cable |  |
|  | DRN.          |                 | DATE  |  |
|  | Richard Antic |                 | 9/26/2014                                       |  |
|  | CKD.          |                 | DATE  |  |
| P. Frank   |               | 5/9/2024        |   |  |
| SIZE   | PART NUMBER   | DOCUMENT NUMBER |   |  |
| A  | 15-08091-XXX  | 14833-1         |   |  |

The information on this drawing is the proprietary property of Champlain Cable Corporation, and may not be used, reproduced or disclosed to others, in whole or in part, without written authorization.