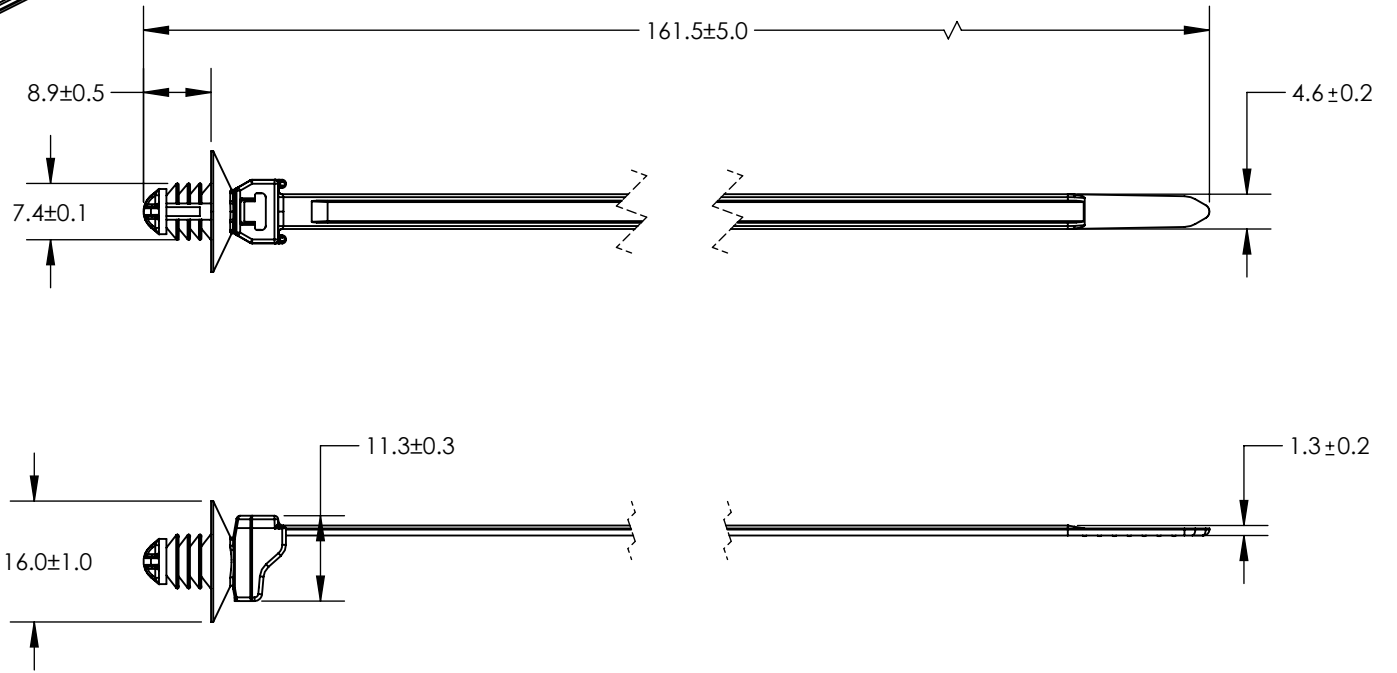
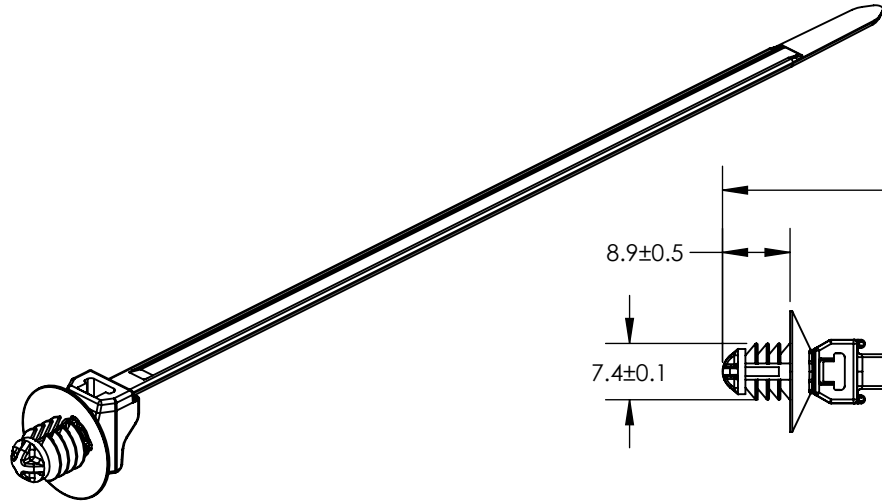


SW2015



157-00308

Revision level			Revision Record	Changed	Date	Approved	Date
Drawing	State	Part					
00.0	Design Release	A	SEE ECN# 014096	GAL	10/3/2017	GGG	10/3/2017



- REFERENCE:
 PERFORMANCE REQUIREMENTS:
 1. SHEET METAL THICKNESS RANGE: 0.60mm - 4.20mm
 2. APPLICABLE HOLE SIZES:
 A. 6.5mm +.5/- .2mm
 3. CABLE TIE MIN. LOOP TENSILE STRENGTH: 225 NEWTONS (50 LBS) MIN
 4. BUNDLE RANGE: 1.0mm TO 35.0mm
 5. MAXIMUM PERCENT REGRIND PERMISSIBLE: TBD%
 6. MAX ALLOWABLE FLASH OR MISMATCH TO BE: TBDmm

TYPE NUMBER	MATERIAL	COLOR
T50SOSFT6.5-E4	PA66HS	BLACK
T50SOSFT6.5-E4	PA46	BROWN

Material SEE CHART	Units: millimeters	The copyright of this drawing is reserved by HellermannTyton. It is issued on condition that it is not reproduced, copied, or disclosed to a third party, either wholly or in part, without the consent of HellermannTyton.	Drawn	GAL	10/3/2017	Article/Type-No T50SOSFT6.5-E4	Scale	1:1	
	Dimension without tolerances details to: .XXX = ±.013 .XX = ±.13 .X = ±.3 None = ±.8 ∠ = ±0.5° Dimension Formatted mm/[in]		Approved	GGG	11/30/2016		Title	T50SOSFT6.5-E4OUTSIDE SERRATED WITH 6.5mm FIR TREE	Project Number PRP 16-1353
	<p>North America Email: corp@htamericas.com Web: www.hellermann.tyton.com</p>			Drawing-No	Pre-Production : Phase		Format	AH	
				<p>16-1353-061-CSU</p>			Sheet	1/1	