

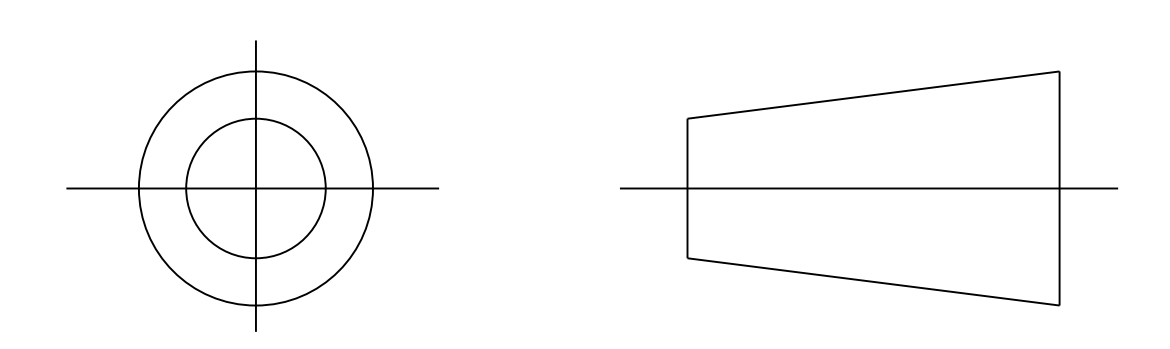
Heatshrinkable Moulded Shapes Bulbous Straight Boots HellermannTyton

DRAWING No.
152088

SHT. 1
OF
1 SHTS.

THE COPYRIGHT OF THIS DRAWING IS RESERVED BY HELLERMANN TYTON. IT IS ISSUED ON CONDITION THAT IT IS NOT COPIED, REPRODUCED OR DISCLOSED TO A THIRD PARTY EITHER WHOLLY OR IN PART WITHOUT THE CONSENT IN WRITING OF HELLERMANN TYTON.

THIRD ANGLE PROJECTION

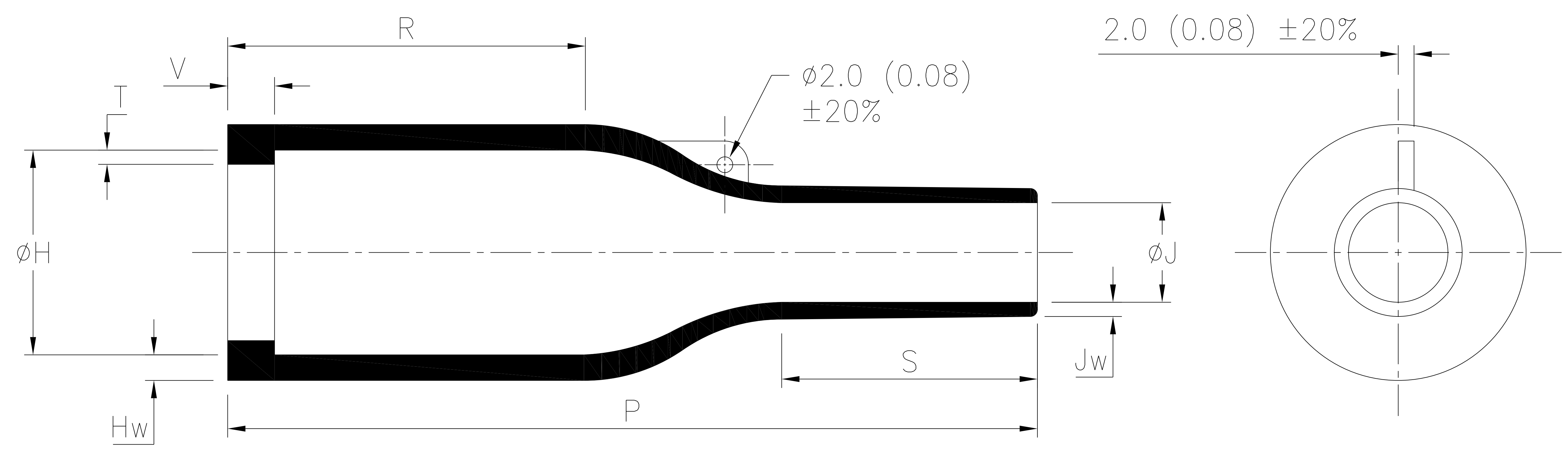


BS 8888

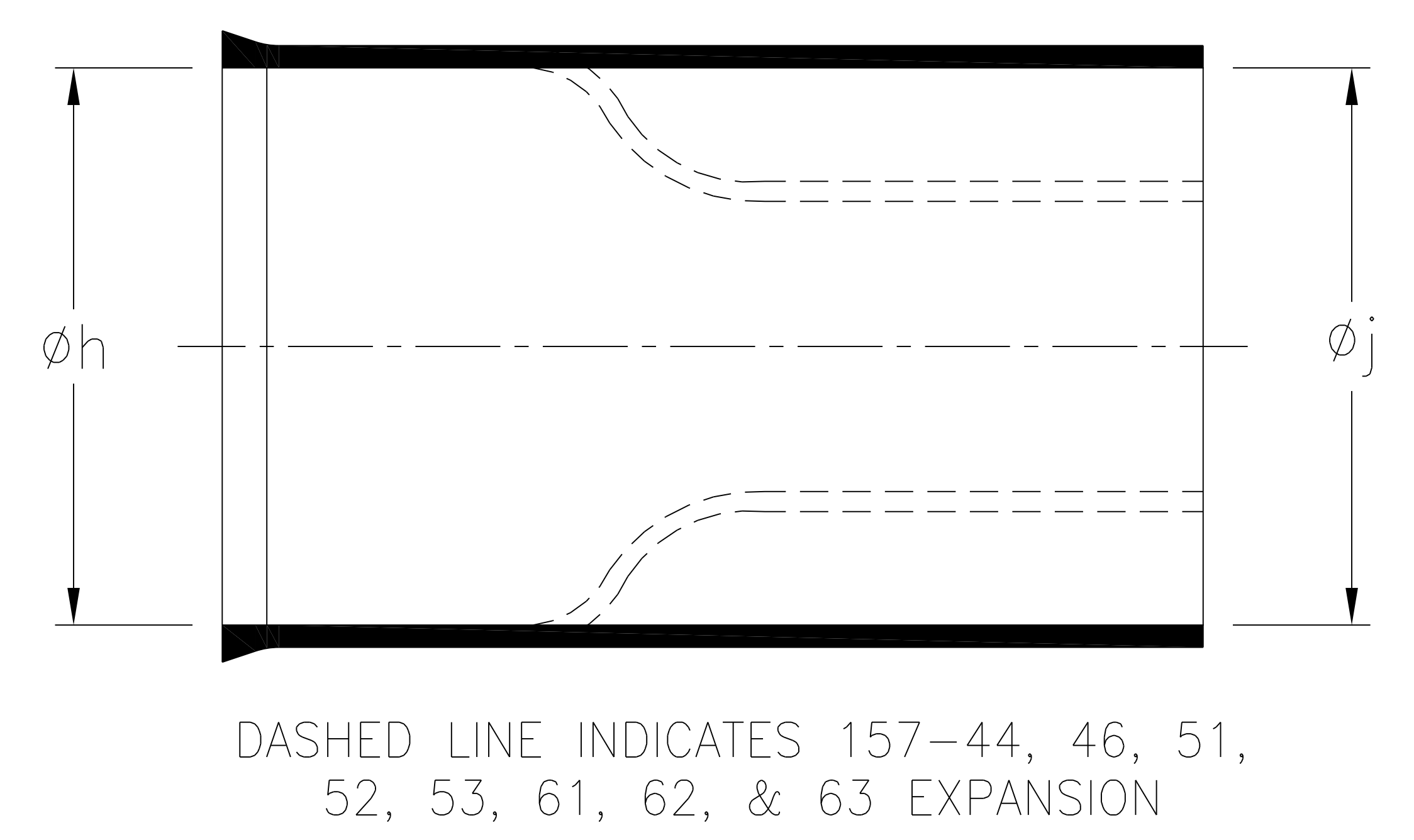
DO NOT SCALE
IF IN DOUBT ASK

| | |
|----------|----------------|
| Q.A. | H/S SETT |
| H/S Q.A. | REL. INSP. |
| H/S PROD | EXT. ISS. CODE |

STANDARD PART (AFTER UNRESTRICTED RECOVERY)



EXPANDED (AS SUPPLIED)

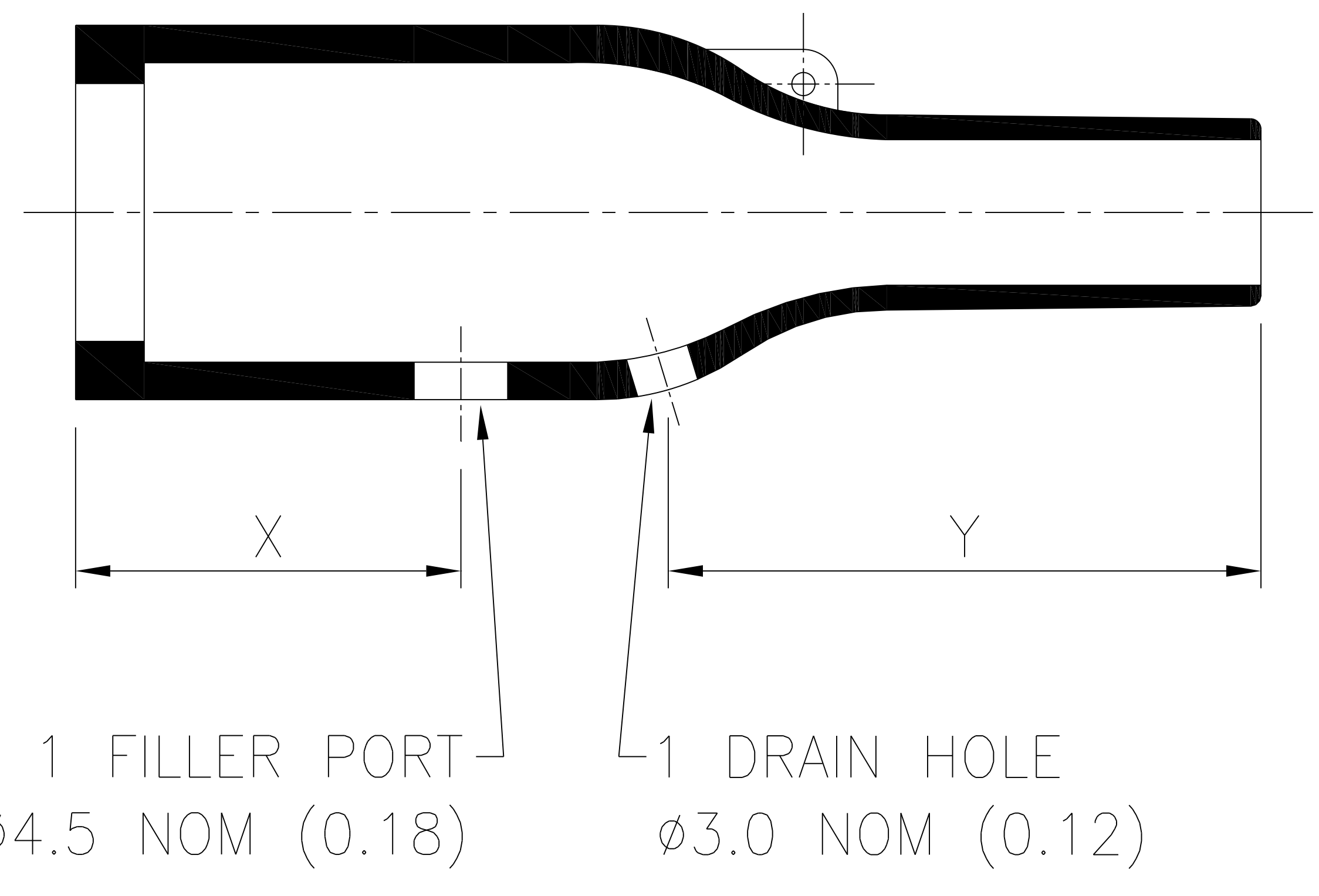


DASHED LINE INDICATES 157-44, 46, 51, 52, 53, 61, 62, & 63 EXPANSION

| SPEC. | PART No. | EXPANDED DIAMETERS (AS SUPPLIED) | | RECOVERED DIAMETERS | | RECOVERED DIMENSIONS | | | | | | |
|-------------------|----------|----------------------------------|----------------|---------------------|----------------|----------------------|--------------|--------------|---------------|---------------|---------------|---------------|
| | | ϕh | ϕj | ϕH | ϕJ | P | R | S | T | V | Hw | Jw |
| | | MIN | MIN | MAX | MAX | $\pm 10\%$ | NOM | NOM | $\pm 20\%$ | MAX | $\pm 20\%$ | $\pm 30\%$ |
| VG 95343 T06A006A | 157-41 | 43 (1.69) | 43 (1.69) | 28 (1.10) | 10 (0.39) | 60 (2.36) | 21 (0.83) | 20 (0.79) | 1.7 (0.07) | 3.3 (0.13) | 2.2 (0.09) | 1.0 (0.04) |
| VG 95343 T06B006A | 157-42 | 43 (1.69) | 43 (1.69) | 28 (1.10) | 10 (0.39) | 79 (3.11) | 41 (1.61) | 20 (0.79) | 1.7 (0.07) | 3.3 (0.13) | 2.2 (0.09) | 1.0 (0.04) |
| VG 95343 T06C001A | 157-43 | 43 (1.69) | 43 (1.69) | 28 (1.10) | 10 (0.39) | 99 (3.90) | 61 (2.40) | 20 (0.79) | 1.7 (0.07) | 3.3 (0.13) | 2.2 (0.09) | 1.0 (0.04) |
| - | 157-44 | 32 (1.26) | 18 (0.71) | 28 (1.10) | 10 (0.39) | 99 (3.90) | 61 (2.40) | 20 (0.79) | 1.7 (0.07) | 3.3 (0.13) | 2.2 (0.09) | 1.0 (0.04) |
| - | 157-46 | 32 (1.26) | 18 (0.71) | 28 (1.10) | 10 (0.39) | 79 (3.11) | 41 (1.61) | 20 (0.79) | 1.7 (0.07) | 3.3 (0.13) | 2.2 (0.09) | 1.0 (0.04) |
| - | 157-48 | 50.4 (2.00) | 50.4 (2.00) | 28 (1.10) | 10 (0.39) | 99 (3.90) | 61 (2.40) | 20 (0.79) | 1.7 (0.07) | 3.3 (0.13) | 2.2 (0.09) | 1.0 (0.04) |
| - | 157-51 | 42 (1.65) | 20 (0.79) | 28 (1.10) | 10.5 (0.41) | 60 (2.36) | 21 (0.83) | 20 (0.79) | 1.7 (0.07) | 3.3 (0.13) | 2.2 (0.09) | 1.0 (0.04) |
| - | 157-52 | 42 (1.65) | 20 (0.79) | 28 (1.10) | 10.5 (0.41) | 79 (3.11) | 41 (1.61) | 20 (0.79) | 1.7 (0.07) | 3.3 (0.13) | 2.2 (0.09) | 1.0 (0.04) |
| - | 157-53 | 42 (1.65) | 20 (0.79) | 28 (1.10) | 10.5 (0.41) | 99 (3.90) | 61 (2.40) | 20 (0.79) | 1.7 (0.07) | 3.3 (0.13) | 2.2 (0.09) | 1.0 (0.04) |
| VG 95343 T29A006A | 157-61 | 43 (1.69) | 25 (0.98) | 28 (1.10) | 10 (0.39) | 60 (2.36) | 21 (0.83) | 20 (0.79) | 1.7 (0.07) | 3.3 (0.13) | 2.2 (0.09) | 1.0 (0.04) |
| VG 95343 T29B006A | 157-62 | 43 (1.69) | 25 (0.98) | 28 (1.10) | 10 (0.39) | 79 (3.11) | 41 (1.61) | 20 (0.79) | 1.7 (0.07) | 3.3 (0.13) | 2.2 (0.09) | 1.0 (0.04) |
| VG 95343 | | 43 | 25 | 28 | 10 | 99 | 61 | 20 | 1.7 | 3.3 | 2.2 | 1.0 |

| SPEC. | PART No. | RECOVERED DIMENSIONS | |
|-------------------|----------|----------------------|--------------|
| | | X | Y |
| | | $\pm 20\%$ | $\pm 20\%$ |
| VG 95343 T07A006A | 157-41 | 12 (0.47) | 30 (1.18) |
| VG 95343 T07B006A | 157-42 | 30 (1.18) | 32 (1.26) |
| VG 95343 T07C001A | 157-43 | 52 (2.05) | 30 (1.18) |
| - | 157-44 | 52 (2.05) | 30 (1.18) |
| - | 157-46 | 30 (1.18) | 32 (1.26) |
| - | 157-48 | 52 (2.05) | 30 (1.18) |
| - | 157-51 | 12 (0.47) | 30 (1.18) |
| - | 157-52 | 30 (1.18) | 32 (1.26) |
| - | 157-53 | 52 (2.05) | 30 (1.18) |
| - | 157-61 | 12 (0.47) | 30 (1.18) |
| - | 157-62 | 30 (1.18) | 32 (1.26) |

OPTION TO STANDARD PART
FILLER PORT (CODE P)



Heatshrinkable Moulded Shapes Bulbous Straight Boots HellermannTyton

For information only, not subject to technical changes.

| | | | |
|-------|----------|----------|----------|
| 5 | P1499 | GL | 24/02/15 |
| 4 | P1399 | CM | 03/01/13 |
| 3 | P1362 | DJC | 05/10/11 |
| 2 | P1329 | G.B. | 11/10/10 |
| 1 | P1195 | S.Almond | 14/04/08 |
| ISSUE | NOTE No. | DRAWN | DATE |

HellermannTyton
William Prance Road,
Plymouth International Med. & Tech. Park,
Plymouth, PL6 5WR
Tel ++44 (0) 1752 701261
Fax ++44 (0) 1752 790058

| | | | | | | |
|-------|---------------|---------|----------|----------|--------------------------------------|---------------|
| NAME | S.Almond | SCALE | NTS | ADHESIVE | A3 | SHT. 1 |
| DATE | 14/04/08 | DIMS IN | mm (in) | | ORIGINAL SHEET SIZE 420mm x 297mm | OF 1 SHTS. |
| TITLE | BOTTLE SLEEVE | | PART No. | 157 | DRAWING No. 152088 | |