

CAM-TYPE CONNECTORS (UP TO 140A, 600V)

15 Series, Taper Nose  

| Description | Color | Cat. No. Male | Cat. No. Female |
|---|--------|---------------|-----------------|
| Panel Receptacle - Threaded Stud (Cable Size: #8-#4) | White | 15R21-W | 15R22-W |
| | Black | 15R21-E | 15R22-E |
| | Brown | 15R21-H | 15R22-H |
| | Red | 15R21-R | 15R22-R |
| | Blue | 15R21-B | 15R22-B |
| | Orange | 15R21-O | 15R22-O |
| | Green | 15R21-G | 15R22-G |
| | Yellow | 15R21-Y* | 15R22-Y |

* Contact factory for availability.



15R21-H

THREE-WAY "T" CONNECTORS  

| Description | Color | Cat. No. Paralleling T Female-Male-Male | Cat. No. Tapping T Female-Female-Male | Cat. No. Double Female Female-Female |
|-------------------------|-------|---|---------------------------------------|--------------------------------------|
| Three-Way "T" Connector | White | 15A21-W* | 15A22-W | 15A23-W* |
| | Black | 15A21-E | 15A22-E | 15A23-E |
| | Red | 15A21-R* | 15A22-R | 15A23-R* |
| | Blue | 15A21-B* | 15A22-B | 15A23-B* |
| | Green | 15A21-G | 15A22-G | 15A23-G* |

* Contact factory for availability.



15A21-G

PROTECTIVE CAPS AND COVERS

| Description | Color | Cat. No. Male | Cat. No. Female |
|---|---------|---------------|-----------------|
| Protective Caps | White | — | 15P22-W |
| | Black | 15P21-E | 15P22-E |
| NEMA 3R Enclosure - for Male and Female Panel Receptacles | White | 15S31-W | — |
| | Black | 15S31-E | — |
| | Brown | 15S31-H | — |
| | Red | 15S31-R | — |
| | Blue | 15S31-B | — |
| | Orange | 15S31-O | — |
| | Green | 15S31-G | — |
| Yellow | 15S31-Y | — | |



15P21-E

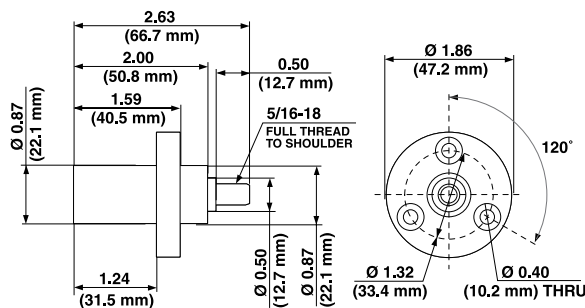


15S31-R

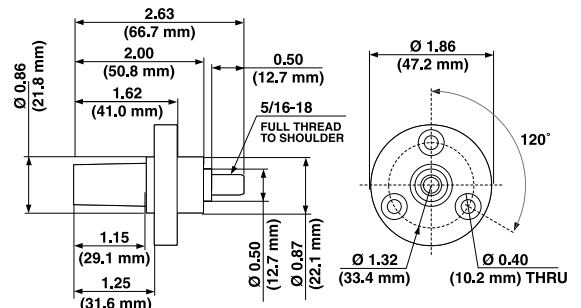
TESTING AND CODE COMPLIANCE

- Meets UL Standards (File #E13399)
- NEMA 3R-Rated (rainproof) for use outdoors
- CSA Certified (File #152105)

DIMENSIONS



Male Panel Receptacle Threaded Stud



Female Panel Receptacle Threaded Stud