

### CAM-TYPE CONNECTORS (UP TO 140A, 600V)

#### 15 Series, Taper Nose

Description	Color	Cat. No. Male	Cat. No. Female
Panel Receptacle - Threaded Stud (Cable Size: #8-#4)	White	15R21-W	15R22-W
	Black	15R21-E	15R22-E
	Brown	15R21-H	15R22-H
	Red	15R21-R	15R22-R
	Blue	15R21-B	15R22-B
	Orange	15R21-O	15R22-O
	Green	15R21-G	15R22-G
	Yellow	15R21-Y*	15R22-Y

\* Contact factory for availability.



15R21-H

### THREE-WAY "T" CONNECTORS

Description	Color	Cat. No. Paralleling T Female-Male-Male	Cat. No. Tapping T Female-Female-Male	Cat. No. Double Female Female-Female
Three-Way "T" Connector	White	15A21-W*	15A22-W	15A23-W*
	Black	15A21-E	15A22-E	15A23-E
	Red	15A21-R*	15A22-R	15A23-R*
	Blue	15A21-B*	15A22-B	15A23-B*
	Green	15A21-G	15A22-G	15A23-G*

\* Contact factory for availability.



15A21-G

### PROTECTIVE CAPS AND COVERS

Description	Color	Cat. No. Male	Cat. No. Female
Protective Caps	White	—	15P22-W
	Black	15P21-E	15P22-E
NEMA 3R Enclosure - for Male and Female Panel Receptacles	White	15S31-W	—
	Black	15S31-E	—
	Brown	15S31-H	—
	Red	15S31-R	—
	Blue	15S31-B	—
	Orange	15S31-O	—
	Green	15S31-G	—
Yellow	15S31-Y	—	



15P21-E

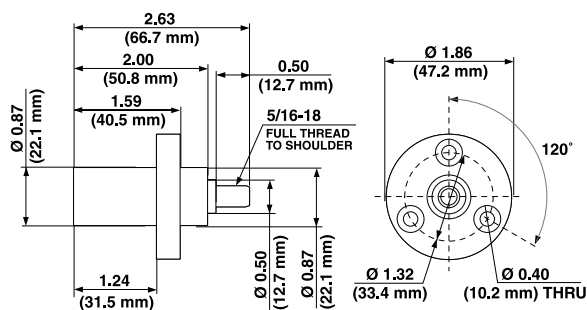


15S31-R

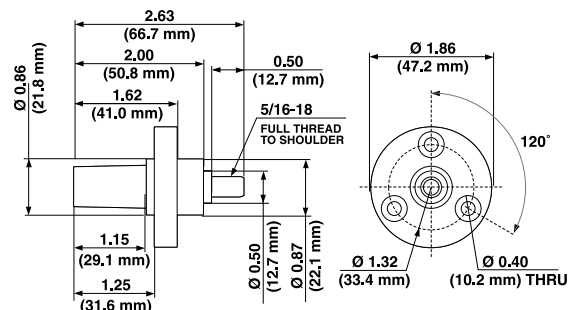
#### TESTING AND CODE COMPLIANCE

- Meets UL Standards (File #E13399)
- NEMA 3R-Rated (rainproof) for use outdoors
- CSA Certified (File #152105)

### DIMENSIONS



Male Panel Receptacle Threaded Stud



Female Panel Receptacle Threaded Stud