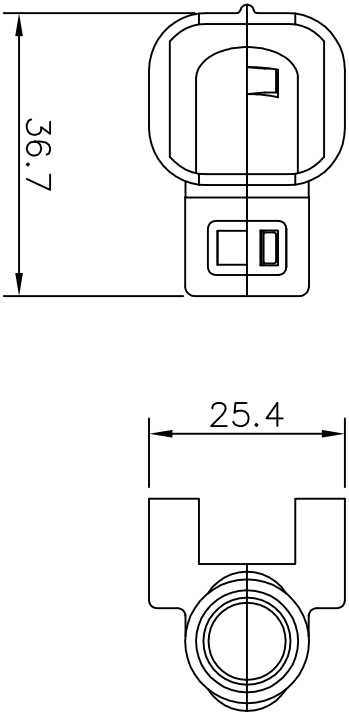
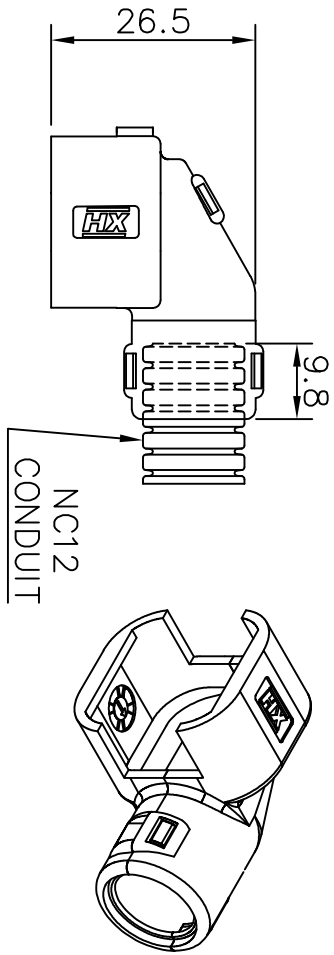
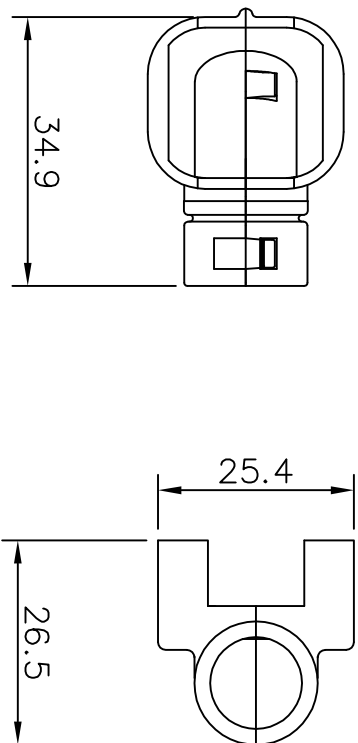
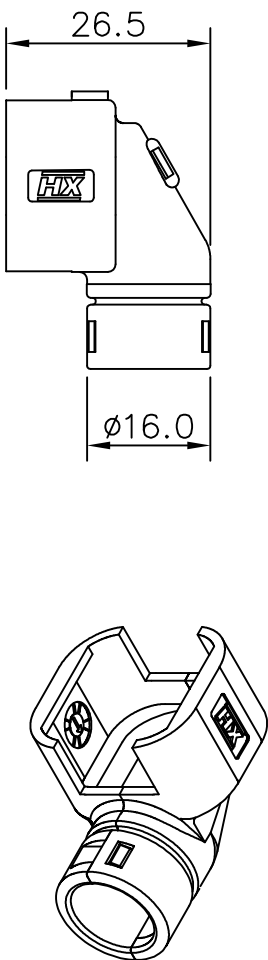


C112-90-DTP04



16-90-DTP04



ADAPTOR TO SUIT HARNESSFLEX 16 HINGED FITTINGS  
TYPE 'Y'(YPS) 'T'(TPS) ELBOWS (EPS) AND JOINERS (JPS)

MATERIAL NYLON 66

FINISH FINE SPARK

COLOUR BLACK

DATE 22/12/04

CHARTS HX-44

TITLE

DTP04  
DATA SHEET

**Harnessflex**

BIRMINGHAM ENGLAND

This drawing/document is a COPYRIGHT and the property of HARNESSFLEX LIMITED. It must not be copied (in whole or part) used for manufacture or otherwise disclosed without prior written consent of the company. The Company's policy is one of continuous improvement and it therefore reserves the right to change specifications at any time without notice.