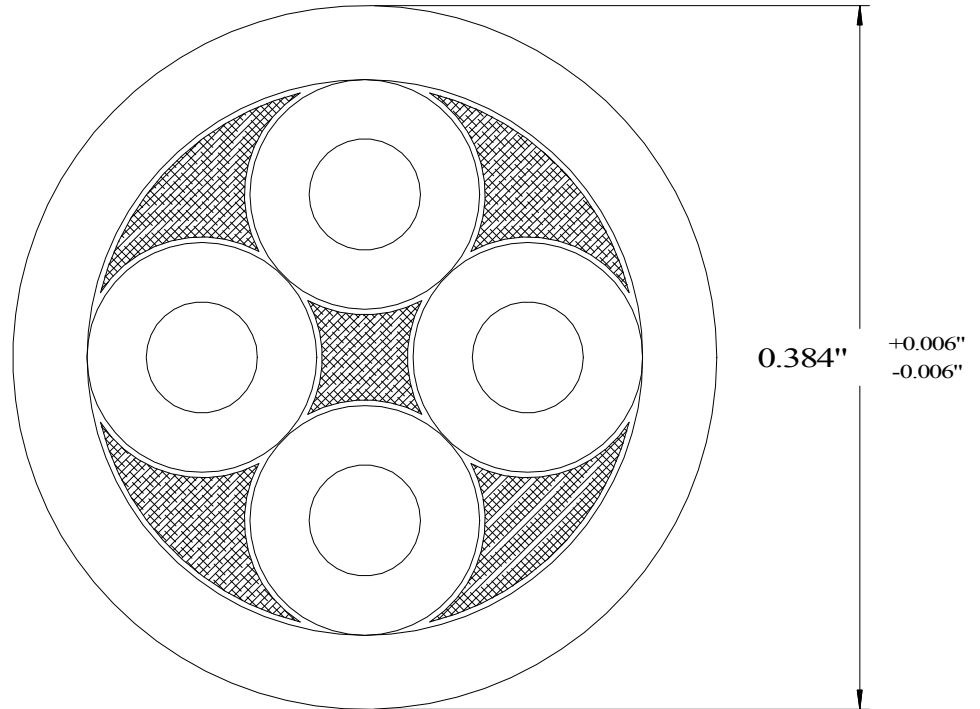


Revisions

Rev.	Description	Date	Edit By
A	4/C 16 AWG PVC/PVC Black	7/13/18	RL

Number of Conductors: 4
 AWG/Strand: 16 awg (26/30) Tinned Plated Copper
 Conductor O.D.: .036" Nominal"
 Primary Insulation: .032" Nominal Wall PVC
 Primary O.D.: .124" +/- .002"
 Color Code: Red, Blue, Black, Green/Yellow
 Cabled: Left Hand Lay
 Separator: Tissue Paper
 Overall Jacket: .040" Nominal Wall PVC
 Jacket Color: Black
 Finished O.D.: .384" +/- .006"
 Jacket Printed: "E174416 RU AWM 2586 105C 600V VW-1 --- cRU AWM I/II A/B 105C 600V FT1



IEWC Part# 1604C-OHU

Drawing #:	C5321	Rev.	A
------------	-------	------	---

