

Automatic Reset GFCI Devices

Outdoor Rated Rainproof Devices
Provide Superior Personnel Protection



Leviton's Automatic Reset GFCI Devices are now sleeker and more rugged than ever! And, while these devices are fully OSHA compliant for use on job sites, they are also perfect for use in a variety of temporary power applications, such as recreation vehicles, marine vehicles, portable pools, portable generators, submersible pumps, vending machines and more.



Features:

- Rainproof, Outdoor rated GFCI Module.
- Fully complies with NEC and OSHA regulations for construction sites.
- Automatically resets to ON when plugged in or after power interruption.
- Power Indicator lamp goes OFF if GFCI trips, power is interrupted or GFCI is unplugged.
- Open-Neutral Protection immediately trips the GFCI if the neutral conductor on the line side is opened, eliminating the possibility of the GFCI having a live hot leg.
- Cord Set Models available in Standard Cord Set lengths of 2-ft, 3-ft, 6-ft, 25-ft. and 37-ft. Custom lengths and configurations available as special order.
- Specially designed NEMA 3R Raintight While-in-Use covers available for Right Angle Plug Models.
- UL listed; complies with UL Standard 943 as a Class A GFCI power supply.
- CSA Certified.

Features Cord Sets

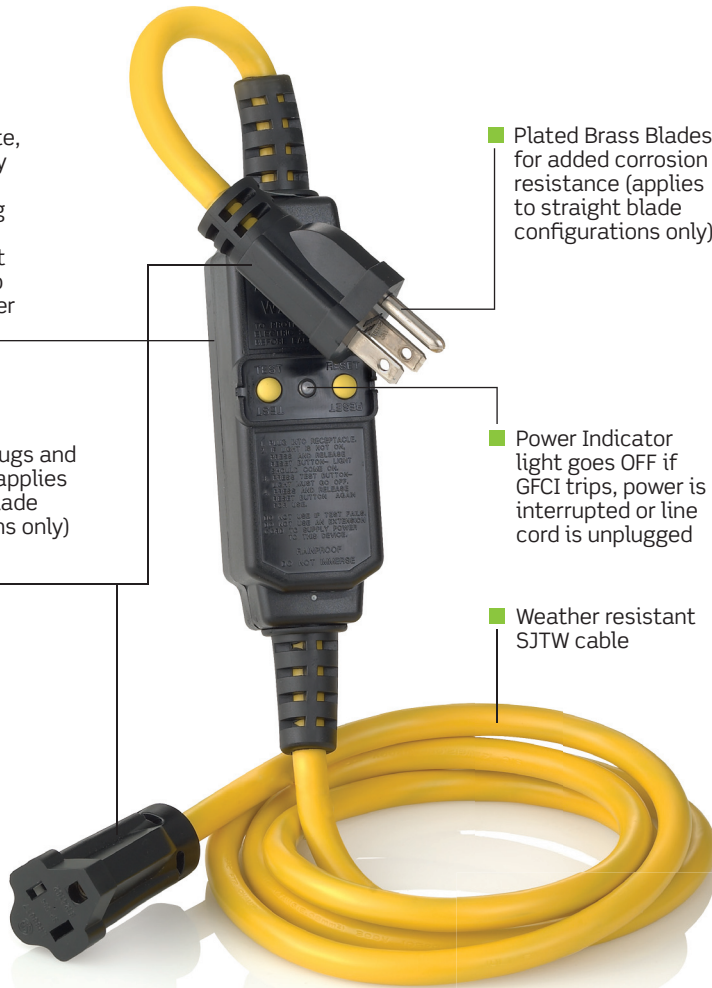
■ Polycarbonate, ultrasonically welded body provides long service life and excellent resistance to harsh weather

■ Plated Brass Blades for added corrosion resistance (applies to straight blade configurations only)

■ Molded-on plugs and connectors (applies to straight blade configurations only)

■ Power Indicator light goes OFF if GFCI trips, power is interrupted or line cord is unplugged

■ Weather resistant SJTW cable



User-Attachable Devices



Cat No. 86593-1EM
Raintight
While-in-Use
Cover for use with
right angle plugs

■ Accepts 12 AWG to 18 AWG 3-wire flexible cord (SJ or ST Type)

■ Polycarbonate, ultrasonically welded body provides long service life and excellent resistance to harsh weather



■ Terminal chamber sealed with silicon and foam rubber gaskets for superior protection against moisture



■ Accepts 12 AWG to 18 AWG 3-wire flexible cord (SJ or ST Type)

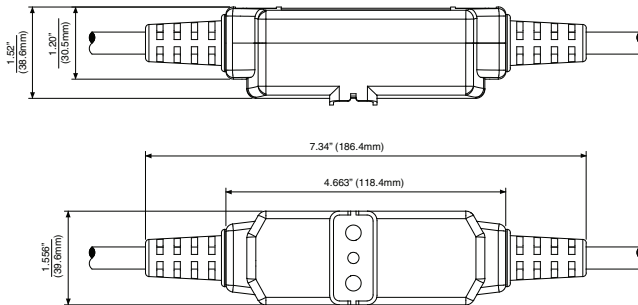
Specifications

AC Horsepower Rating	
At Rated Voltage	¾ Horsepower
Environmental Specifications	
Flammability:	Rated V-2 per UL 94
Operating Temperature:	-35°C to 66°C
Material Specifications	
Cord Type:	14/3 SJTW for GFA15 12/3 SJTW for GFA20
Body Material:	Polycarbonate
Blades/Contacts:	Brass

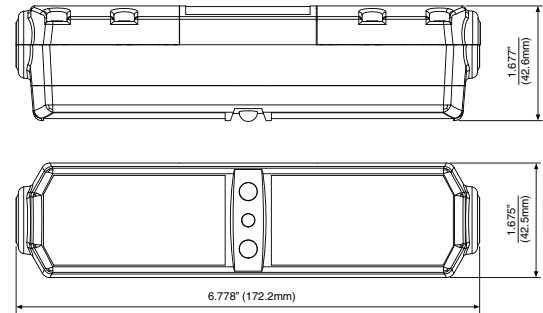
Mechanical Specifications	
Product ID:	Ratings marked on device
Standards and Certifications	
NEMA:	WD-6
ANSI:	C73
UL Standard:	943 Class A & 498
CSA:	C22.2 No 42 and No 144
NOM:	057
Electrical Specifications	
Current Interrupting:	2kA
Trip Level:	5 +/- 1 mA

Dimensions

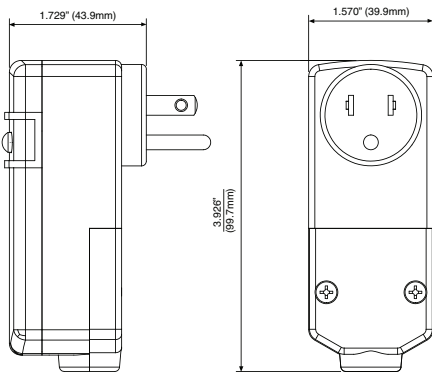
Cat No. GFA15/GFA20



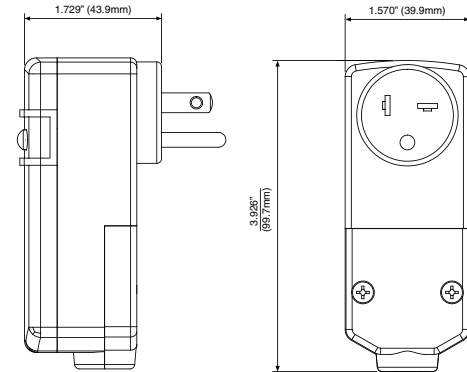
Cat No. GCA20



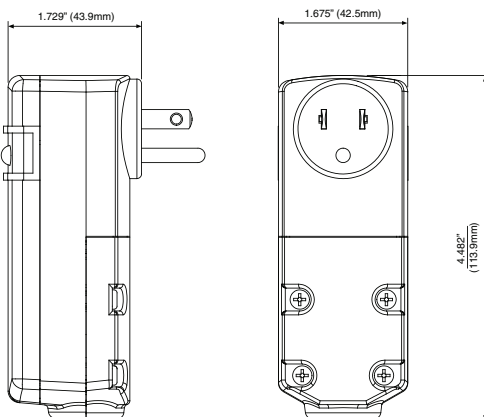
Cat No. 16593



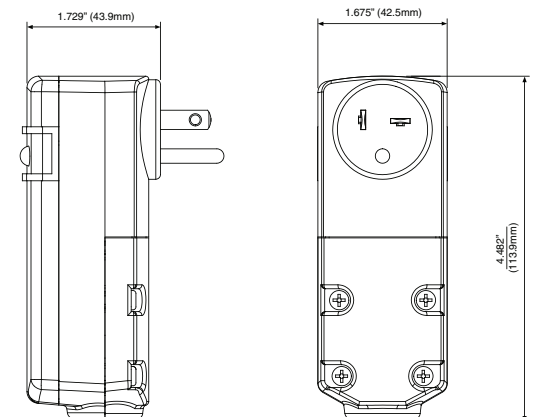
Cat No. 16893






















Cat No. 16693



Cat No. 16793



Ordering Information

CAT NO.	DESCRIPTION	NEMA PLUG	NEMA CONNECTOR		
Cord Sets					
GFA15-2C	15 Amp, 120 Volt, 2 ft. Cord Set, Molded-On NEMA Plug (5-15P) and Connector (5-15R), Straight Blade, Automatic Reset GFCI Device, 14-3 SJTW Cord, RoHS Compliant	5-15P		5-15R	
GFA15-6C	15 Amp, 120 Volt, 6 ft. Cord Set, Molded-On NEMA Plug (5-15P) and Connector (5-15R), Straight Blade, Automatic Reset GFCI Device, 14-3 SJTW Cord, RoHS Compliant	5-15P		5-15R	
GFA15-25C	15 Amp, 120 Volt, 25 ft. Cord Set, Molded-On NEMA Plug (5-15P) and Connector (5-15R), Straight Blade, Automatic Reset GFCI Device, 14-3 SJTW Cord, RoHS Compliant	5-15P		5-15R	
GFA15-3TC	15 Amp, 120 Volt, 3 ft. Cord Set, Molded-On NEMA Plug (5-15P) and Triple Tap Connector (5-15R), Straight Blade, Automatic Reset GFCI Device, 14-3 SJTW Cord, RoHS Compliant	5-15P		5-15R	
GFA20-3C	20 Amp, 120 Volt, 3 ft. Cord Set, Molded-On NEMA Plug (5-20P) and Connector (5-20R), Straight Blade, Automatic Reset GFCI Device, 12-3 SJTW Cord, RoHS Compliant	5-20P		5-20R	
GFA20-3LC	20 Amp, 120 Volt, 3 ft. Cord Set, NEMA Locking Plug (L5-20P) and Locking Connector (L5-20R), Automatic Reset GFCI Device, 12-3 SJTW Cord, RoHS Compliant	L5-20P		L5-20R	
GFA15-37E	15 Amp, 120 Volt, 37 ft. Cord Set, Molded-On NEMA Plug (5-15P) and No Connector, Straight Blade, Automatic Reset GFCI Device, 14-3 SJTW Cord	5-15P		No connector	–
GFA20-37E	20 Amp, 120 Volt, 37 ft. Cord Set, Molded-On NEMA Plug (5-20P) and No Connector, Straight Blade, Automatic Reset GFCI Device, 12-3 SJTW Cord, RoHS Compliant	5-20P		No connector	–
User-Attachable Devices					
GCA20*	20 Amp, 120 Volt, In-Line GFCI with line/load wiring chambers, accommodates UL/CSA Cord Types – SJTW, SJTOW, SJTOOW, SJEOW, STW, STOW and STOOO, RoHS Compliant	–	–	–	–
16592*	15 Amp, 120 Volt, Compact Right-Angle GFCI Plug (1-15P), 2 pin/no ground, accommodates UL/CSA Cord Types SJTW, SJTOOW, SJTOW, SJEOW	1-15P		–	–
16593*	15 Amp, 120 Volt, Compact Right-Angle GFCI Plug (5-15P), grounded, accommodates UL/CSA Cord Types SJTW, SJTOOW, SJTOW, SJEOW, RoHS Compliant	5-15P		–	–
16693*	15 Amp, 120 Volt, Compact Right-Angle GFCI Plug (5-15P), grounded, accommodates UL/CSA Cord Types – SJTW, SJOW, SJTOW, SJTOOW, SJEOW, STW, STOW and STOOO, RoHS Compliant	5-15P		–	–
16793*	20 Amp, 120 Volt, Compact Right-Angle GFCI Plug (5-20P), grounded, accommodates UL/CSA Cord Types – SJTW, SJOW, SJTOW, SJTOOW, SJEOW, STW, STOW and STOOO, RoHS Compliant	5-20P		–	–
16893*	20 Amp, 120 Volt, Compact Right-Angle GFCI Plug (5-20P), grounded, accommodates UL/CSA Cord Types SJTW, SJTOOW, SJTOW, SJEOW, RoHS Compliant	5-20P		–	–
Accessories					
86593-1EM	NEMA 3R Raintight While-in-Use Cover for use with right angle plugs	–	–	–	–

* See instruction sheet for precise cord type/wire gauge applications.

Leviton Manufacturing Co., Inc.

201 North Service Road, Melville, NY 11747

Telephone: 1-800-323-8920 • FAX: 1-800-832-9538 • Tech Line (8:30AM-7:30PM E.S.T. Monday-Friday): 1-800-824-3005

Leviton Manufacturing of Canada, Ltd.

165 Hymus Boulevard, Pointe Claire, Quebec H9R 1E9

Telephone: 1-800-469-7890 • FAX: 1-800-563-1853

Leviton S. de R.L. de C.V.

Lago Tana 43, Mexico DF, Mexico CP 11290

Tel. (+52) 55-5082-1040 • Fax: (+52) 55-5386-1797 • www.leviton.com.mx

Visit our Website at: www.leviton.com/industrial email: industrial@leviton.com

© 2009 Leviton Manufacturing Co., Inc. All rights reserved.

