

"Stay Connected with Heyco" Strain Relief Bushings



Heyco® Snap-In Universal Strain Relief Bushings

Fit 1/2" Electrical Knock-out Hole

- USR 400 fits the widest range of cable sizes.
- USR 401 fits the widest range of Romex® and other flat cable sizes.
- Captive screw forces the locking flap against the cable.
- Captive screw meets typical European requirements wherein the Strain Relief device must remain attached to the panel during cable removal or replacement.
- Nylon USR 400 & 401 comply with:
 - IEC Publication #335
 - CEE #10 and # 11
- Easy installation: fingertip pressure locks bushing into .875" (22,2 mm) diameter holes with panel thickness up to .125" (3,2 mm).
- Reinforcing ribs for extra strength.
- Bell mouth contour, radiused at 1.5x the exit hole diameter, eliminates the need for a separate cord guard.
- Protect cables against forces of pull, push, twist, and flex.
- For Heyco-Tite Liquid Tight Romex® Connectors, see page 4-35.

WILL FIT THESE CABLES			PANEL DIMENSIONS						PART NO.	DESCRIPTION	SCREW TYPE
Cross Section	Approximate Size		A Mounting Hole Dia.		B To Prevent Rotation		Panel Thickness				
		in.	mm.	in.	mm.	in.	mm.	in.	mm.	Black	
Round or Flat	up to .360	up to 9,1	.875	22,2	.770	19,6	.062	1,6	1724	USR-400	nylon
							.125	3,2			

Standard color black. Consult Heyco for white and other colors.

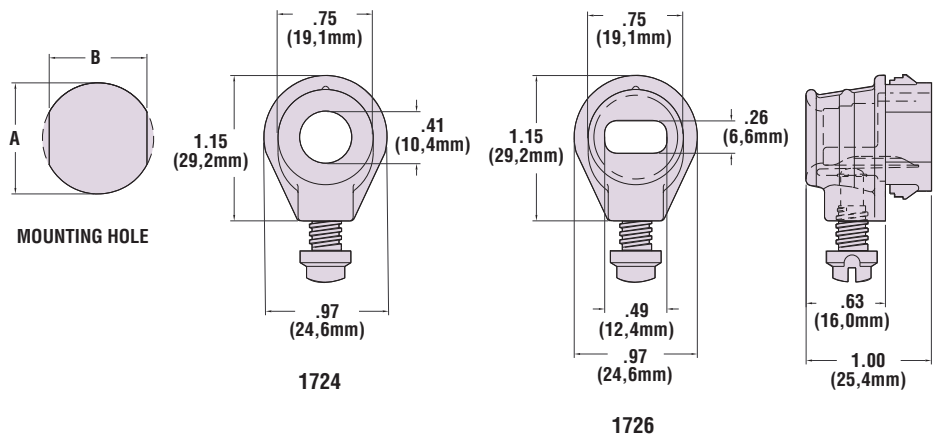
Heyco® Snap-In Romex® Strain Relief Bushing*

Fits 1/2" Electrical Knock-out Hole

WILL FIT THESE CABLES			PANEL DIMENSIONS						PART NO.	DESCRIPTION	SCREW TYPE	
Romex Type	AWG/ Conds	Approximate Size		A Mounting Hole Dia.		B To Prevent Rotation		Panel Thickness				
			in.	mm.	in.	mm.	in.	mm.	in.	mm.	Black	
NM-B	14/2, 14/3, 12/2, 12/3, 10/2	up to .250 x .400	up to 6,4 x 10,2	.875	22,2	.770	19,6	.062	1,6	1726	USR-401	nylon
								.125	3,2			

Standard color black. Consult Heyco for white and other colors.

*For Romex® and other flat cables.



Quick Specs

Material	Nylon 6/6
Certifications	<ul style="list-style-type: none"> UL Recognized File E15331 for round and flat SPT type cables Listed under Underwriters' Laboratories File E103540 CSA Certified by the Canadian Standards Association File 81067
Flammability Rating	94V-2
Temperature Range	-04°F (-18°C) to 221°F (105°C)