

173090-2 ✓ ACTIVE



### Econoseal

TE Internal #: 173090-2

2 Position Housing, Housing for Female Terminals, Wire-to-Wire, 4.8 mm [.189 in] Centerline, Sealable, Black, Signal, Cable Mount (Free-Hanging)

[View on TE.com >](#)

Connectors > Automotive Connectors > Automotive Housings > ECONOSEAL, CONNECTOR HOUSING



Number of Positions: 2

Connector & Housing Type: **Housing for Female Terminals**

Mating Tab Width: 1.8 mm [.071 in]

Connector System: **Wire-to-Wire**

Centerline (Pitch): 4.8 mm [.189 in]

[All ECONOSEAL, CONNECTOR HOUSING \(59\)](#)

### Features

#### Industry Standards

UL Flammability Rating	UL 94HB
------------------------	---------

#### Dimensions

Product Width	20.6 mm[.811 in]
Product Length	27.6 mm[1.087 in]
Connector Height	22.8 mm[.898 in]

#### Packaging Features

Packaging Quantity	100
Packaging Method	Bag

#### Mechanical Attachment

Strain Relief	Without
Terminal Position Assurance	No
Mating Alignment Type	Polarizing Slot



Mating Alignment	With
Connector Mounting Type	Cable Mount (Free-Hanging)

### Other

Serviceable	Yes
Connector Position Assurance Capable	No
EU RoHS Compliance	Compliant
EU ELV Compliance	Compliant

### Electrical Characteristics

Operating Voltage	12 VDC
Nominal Voltage Architecture	12 V

### Body Features

Cable Exit Angle	180°
Primary Product Color	Black

### Housing Features

Housing Material	PBT
Centerline (Pitch)	4.8 mm [.189 in]

### Contact Features

Contact Size	1.8mm
Contact Type	Receptacle
Mating Tab Width	1.8 mm [.071 in]

### Product Type Features

Mixed & Hybrid Connector	No
Connector Shape	Rectangular
Connector & Housing Type	Housing for Female Terminals
Connector System	Wire-to-Wire
Sealable	Yes
Primary Locking Feature	Integrated in Housing

### Configuration Features

Number of Positions	2
Number of Rows	1

### Usage Conditions

Operating Temperature (Max)	80 °C, 105 °C, 100 °C, 90 °C, 85 °C, 75 °C,
-----------------------------	---

70 °C[221 °F][158 °F][167 °F][176 °F][194 °F]  
[185 °F][212 °F]

Operating Temperature Range

-30 – 105 °C[-22 – 221 °F]

### Operation/Application

Circuit Application

Signal

### Product Compliance

For compliance documentation, visit the product page on [TE.com](#)>

EU RoHS Directive 2011/65/EU

Compliant

EU ELV Directive 2000/53/EC

Compliant

China RoHS 2 Directive MIIT Order No 32, 2016

No Restricted Materials Above Threshold

EU REACH Regulation (EC) No. 1907/2006

Current ECHA Candidate List: JUNE 2024 (241)  
Candidate List Declared Against: JUNE 2024 (241)  
Does not contain REACH SVHC

Halogen Content

Low Halogen - Br, Cl, F, I < 900 ppm per homogenous material. Also BFR/CFR/PVC Free

Solder Process Capability

Not applicable for solder process capability

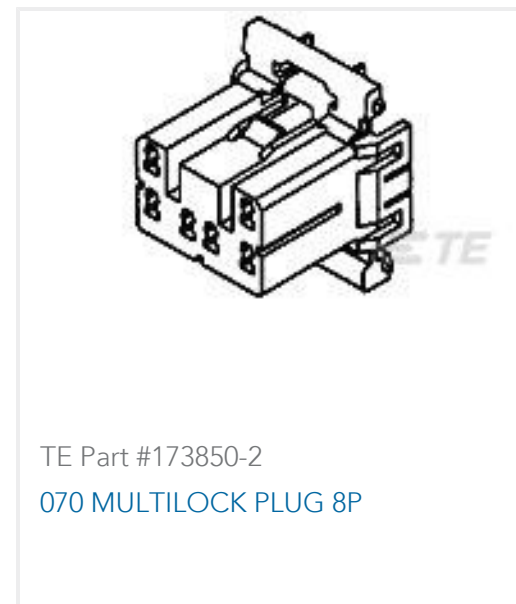
#### Product Compliance Disclaimer

This information is provided based on reasonable inquiry of our suppliers and represents our current actual knowledge based on the information they provided. This information is subject to change. The part numbers that TE has identified as EU RoHS compliant have a maximum concentration of 0.1% by weight in homogenous materials for lead, hexavalent chromium, mercury, PBB, PBDE, DBP, BBP, DEHP, DIBP, and 0.01% for cadmium, or qualify for an exemption to these limits as defined in the Annexes of Directive 2011/65/EU (RoHS2). Finished electrical and electronic equipment products will be CE marked as required by Directive 2011/65/EU. Components may not be CE marked. Additionally, the part numbers that TE has identified as EU ELV compliant have a maximum concentration of 0.1% by weight in homogenous materials for lead, hexavalent chromium, and mercury, and 0.01% for cadmium, or qualify for an exemption to these limits as defined in the Annexes of Directive 2000/53/EC (ELV). Regarding the REACH Regulation, the information TE provides on SVHC in articles for this part number is based on the latest European Chemicals Agency (ECHA) 'Guidance on requirements for substances in articles' posted at this URL: <https://echa.europa.eu/guidance-documents/guidance-on-reach>

### Compatible Parts



## Customers Also Bought



## Documents

### Product Drawings

[.070 ECONOSEAL PLUG ASSY 2P](#)

Japanese

### CAD Files

[3D PDF](#)

3D

Customer View Model

[ENG\\_CVM\\_CVM\\_173090-2\\_A.2d\\_dxf.zip](#)



English

**Customer View Model**

[ENG\\_CVM\\_CVM\\_173090-2\\_A.3d\\_igs.zip](#)

English

**Customer View Model**

[ENG\\_CVM\\_CVM\\_173090-2\\_A.3d\\_stp.zip](#)

English

By downloading the CAD file I accept and agree to the [Terms and Conditions](#) of use.

---

## Datasheets & Catalog Pages

**Econoseal Connector Series**

English

---

## Product Specifications

**Product Specification**

Japanese