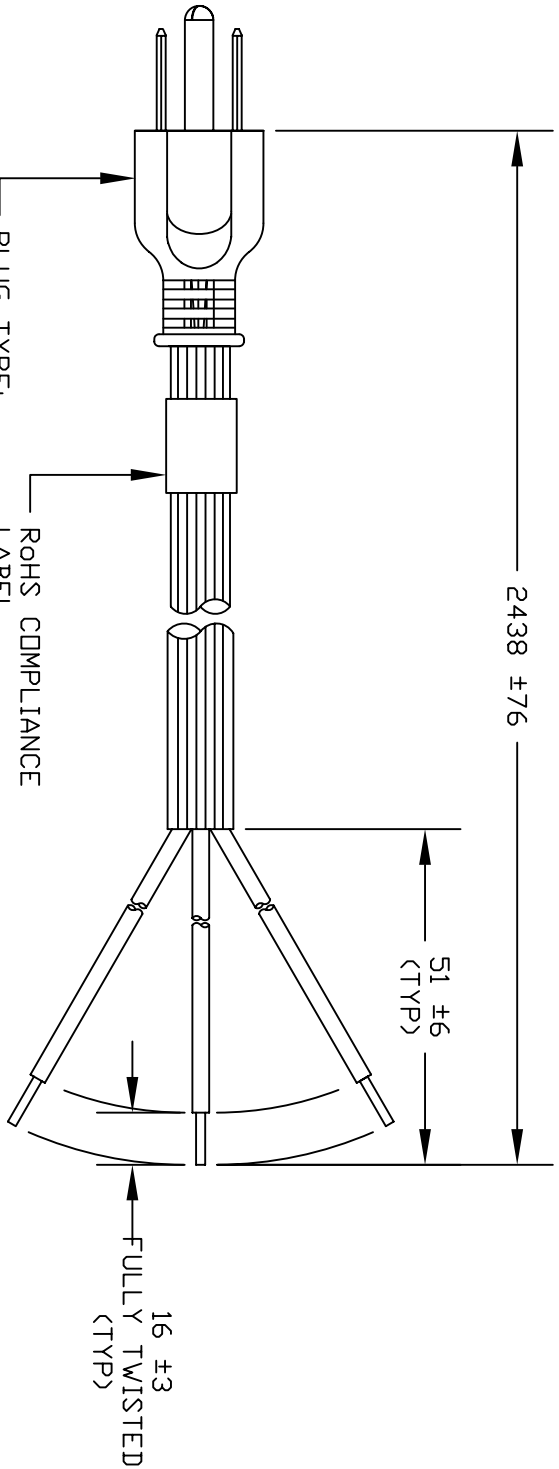


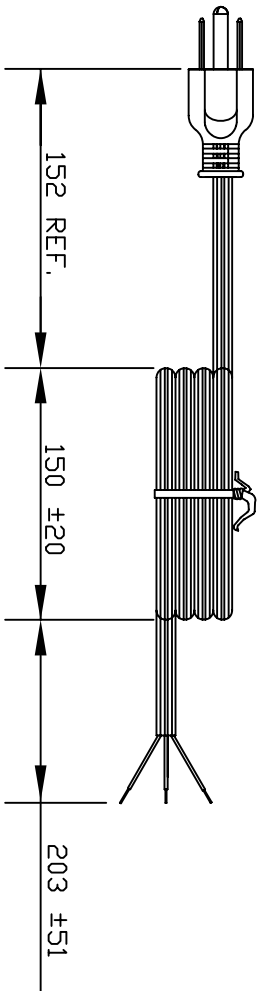
PLUG TYPE:
NEMA 5-15P

ROHS COMPLIANCE
LABEL



VOLEX RESERVES THE RIGHT TO ALTER NON-CRITICAL DIMENSIONS WITHOUT NOTICE.

PACKAGING: FOLD & TIE



- NOTES:
- 1) CORDAGE: 18/3 SJT, 60°C, GRAY
 - 2) APPROVALS: (UL) (CSA)
 - 3) RATING: 10 AMP/125 VOLTS
 - 4) FLAME RATING: FT2
 - 5) PACKAGING: 70 PIECES/CARTON
 - 6) ALL DIMENSIONS IN MILLIMETERS.

3	REVISED TO SHOW CHINA MANUFACTURED CORD	11/26/07
2	FORMAT UPDATE	08/20/04
1	C.U.D - NEW RELEASE	06/11/04
REV	DESCRIPTION	DATE

SCALE:	ECD:	ITEM DESCRIPTION
NOT TO SCALE	N/A	CORSET - NORTH AMERICAN POWER SUPPLY CORD (8')

TOLERANCE UNLESS OTHERWISE SPECIFIED	APPROVED	DRAWN BY	DATE:
.XXX ± .005 .XX ± .02 .X ± .03 FRACT. ± 1/32 ANGULAR ± 1/2°	STC	ARK	06/11/04

PART NO.	17407 8 B1
----------	------------



CUD

FORM IN71-07 REV.A

- Indianapolis, IN
- Conover, N.C.
- Freemont, CA
- Aguascalientes, MX
- Tijuana, Mexico
- Hermosillo, MX
- Clinton, AR
- Kanata, Canada

Proprietary Notice:

This document is the property of Volex Incorporated. The information contained herein is not to be disclosed to anyone without the express written consent of Volex Inc.

MATERIAL:
PLUG: PVC, GRAY
JACKET: PVC, GRAY

FINISH:
JACKET: SERRATED