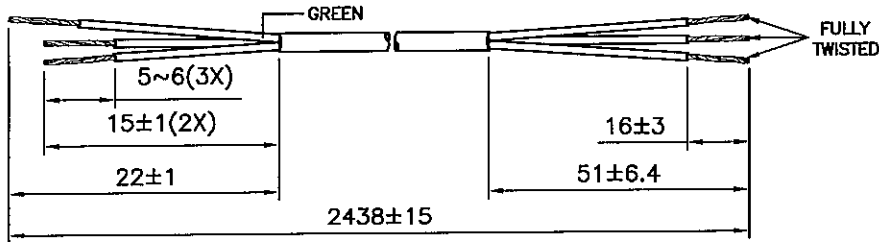
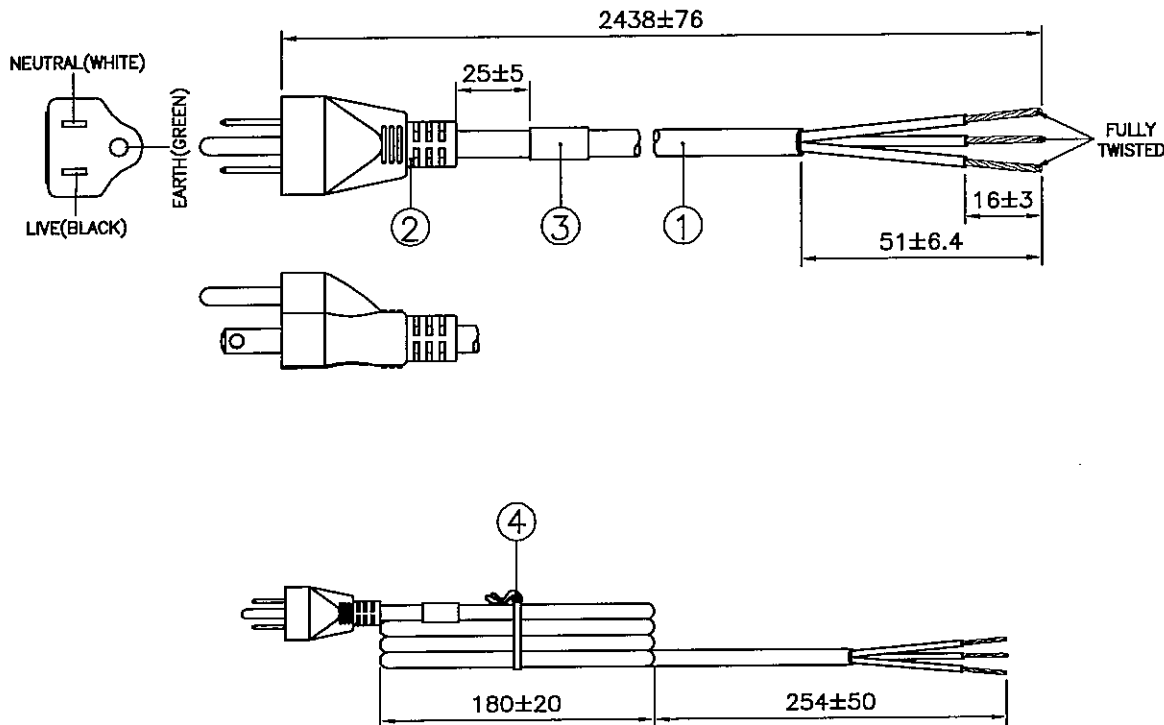


DRAWING NUMBER: 1108624
 REVISION: E

CABLE CUTTING
 CABLE SOURCE :
 1. TA TUN(DONG GUAN).



ASSEMBLY :



Notes :

1. ALL DIMENSIONS IN mm.
2. PLUG MARKING : REFER TO MARKING DRAWING NO. : VP-0108R.
3. PLUG DETAILS : REFER TO PRODUCT DRAWING NO. : P-0044.
4. LABEL DETAILS : REFER TO LABEL DRAWING NO. : VL-0234.
5. THIS PART CAN BE MANUFACTURED AT ANY LOCATION WHICH HAS SAFETY APPROVAL.

REV.	ECR REF. NO.	DESCRIPTION	DATE
D	120243	REMOVE CABLE SOURCE 'YONGTAI'.	15/05/12
E	150232	CHANGE PLUG MARKING DWG. NO. FM. 'VP-0108' TO 'VP-0108R'.	15/05/15

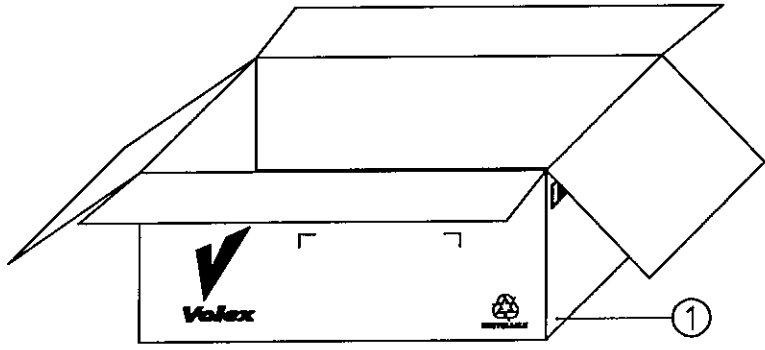
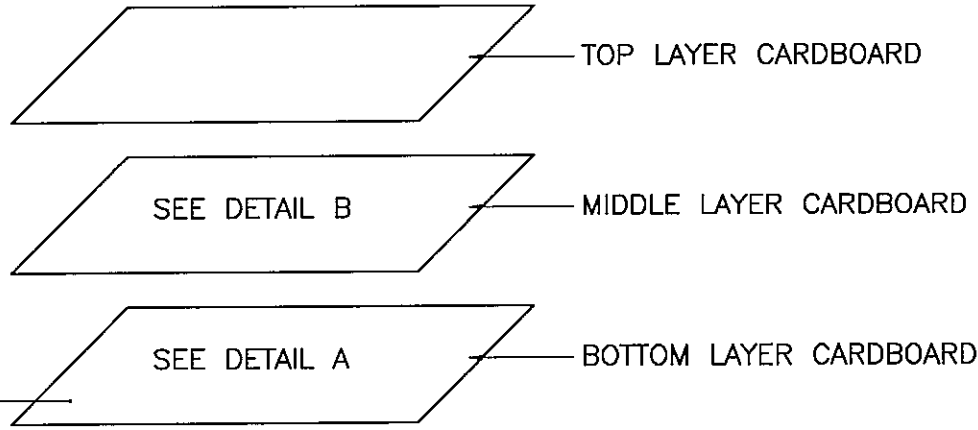
4	8" PE TIE BLK	6310062	1
3	PRINTED LABEL	VL-0234	1
	IP40G NL792B BLK	4100017	-
2	MOLDED PLUG PS204 (10A 125V)	PS204-R	1
1	SJO 18/3 90 BWC BLK (16/0.254/COTTON FILLER)	1921006	2.438M

S/N	DESCRIPTION	ITEM NUMBER	QTY
TITLE : NORTH-AMERICAN POWER SUPPLY CORD (CS-LF0001)		PAGE : 1/2	
CUSTOMER : VNA/VOLEX INC		HG12-023-07	
CUSTOMER PART NUMBER : 17408 10 B1		DWG. TYPE	
F/G CODE : 17408 10 B1		SPEC NO.: --- OED	

SALES : N.A.	QA : N.A.	ENGRG : Feng	CHECKED BY : Sandy Yu	DRAWN BY : SANDY YU	Volet (Asia) Pte Ltd <small>Confidential property of Volet. Information contained herein shall not be disclosed to others, reproduced or used for any other purposes except as authorized in writing by an authorized official of Volet Asia.</small>
DATE : N.A.	DATE : N.A.	DATE : 23/05/15	DATE : 18/05/15	DATE : 15/05/15	

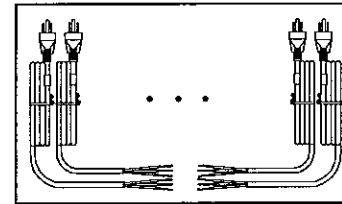
DRAWING NUMBER :

1108624

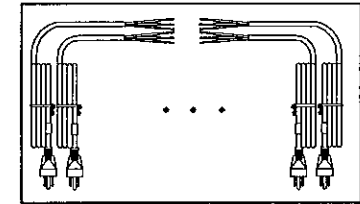


PACKAGING INSTRUCTION

1. 25 PCS PER LAYER, 2 LAYERS PER CARTON.
2. ALL CORDSETS LAYOUT AS DETAIL.
3. PACKAGING : 50 PCS PER CARTON.



DETAIL A



DETAIL B

NOTE :

1.) ALL DIMENSIONS IN mm.

2	CARTON PAPER 550X305MM	901024	0.06
1	DYSON C/BOX 562X324X200MM	901184	0.02
S/N	DESCRIPTION	ITEM NUMBER	QTY
REVISION	E	TITLE : PACKAGING SPEC.	
PAGE	2/2		
SCALE	N.T.S.		
REFERENCE :		Volex (Asia) Pte Ltd	
DESCRIPTION : CARTON BOX		<small>Confidential property of Volex. Information contained herein shall not be disclosed to others, reproduced or used for any other purposes except as authorized in writing by an authorized official of Volex Asia.</small>	