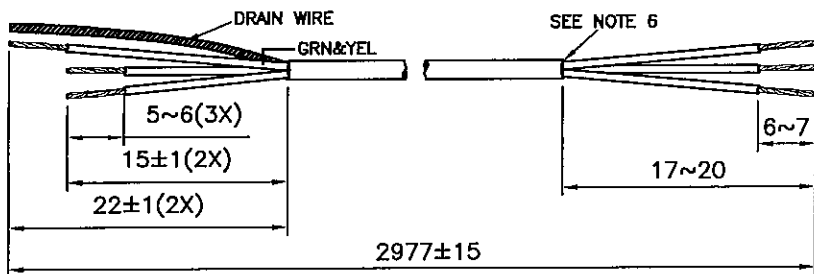
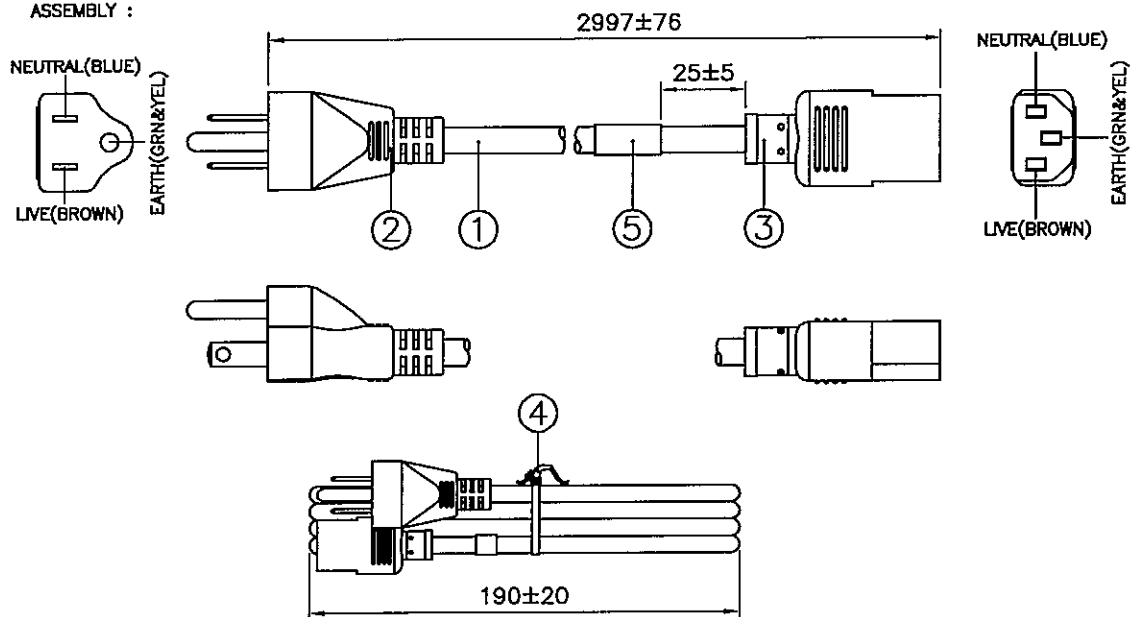


DRAWING NUMBER: 1103465
 REVISION: F

CABLE CUTTING
 CABLE SOURCE :
 1. BAO HING(SHENZHEN)
 2. TONG YUAN(SHENZHEN).



ASSEMBLY :



Notes :

- ALL DIMENSIONS IN mm.
- PLUG AND CONNECTOR MARKING : REFER TO MARKING DRAWING NO. : VP-0108R AND VC-0157 RESPECTIVELY.
- PLUG AND CONNECTOR DETAILS : REFER TO PRODUCT DRAWING NO. : P-0044 AND C-0230 RESPECTIVELY.
- LABEL DETAILS : REFER TO LABEL DRAWING NO. : VL-0356.
- CARTON BOX MUST HAVE A LABEL/STAMP SAYING : " THIS PACKAGE CONTAINS CORDS HAVING GROUNDING CONDUCTOR WITH GREEN/YELLOW COLOUR INSULATION, NEUTRAL CONDUCTOR WITH BLUE COLOUR INSULATION AND LIVE CONDUCTOR WITH BROWN COLOUR INSULATION ".
- DRAIN WIRE TO BE CONNECTED TO PLUG EARTH PIN, BUT DRAIN WIRE OR SHIELD WIRE MUSTN'T BE CONNECTED TO ANY CONNECTOR POLE.
- THIS PART CAN BE MANUFACTURED AT ANY LOCATION WHICH HAS SAFETY APPROVAL.

REV.	ECR REF. NO.	DESCRIPTION	DATE
E	072048	CHANGE LABEL FM. 'VL-0234' TO 'VL-0356' AS SHOWN.	19/12/07
F	150232	CHANGE PLUG MARKING DWG. NO. FM. 'VP-0108' TO 'VP-0108R'.	15/05/15

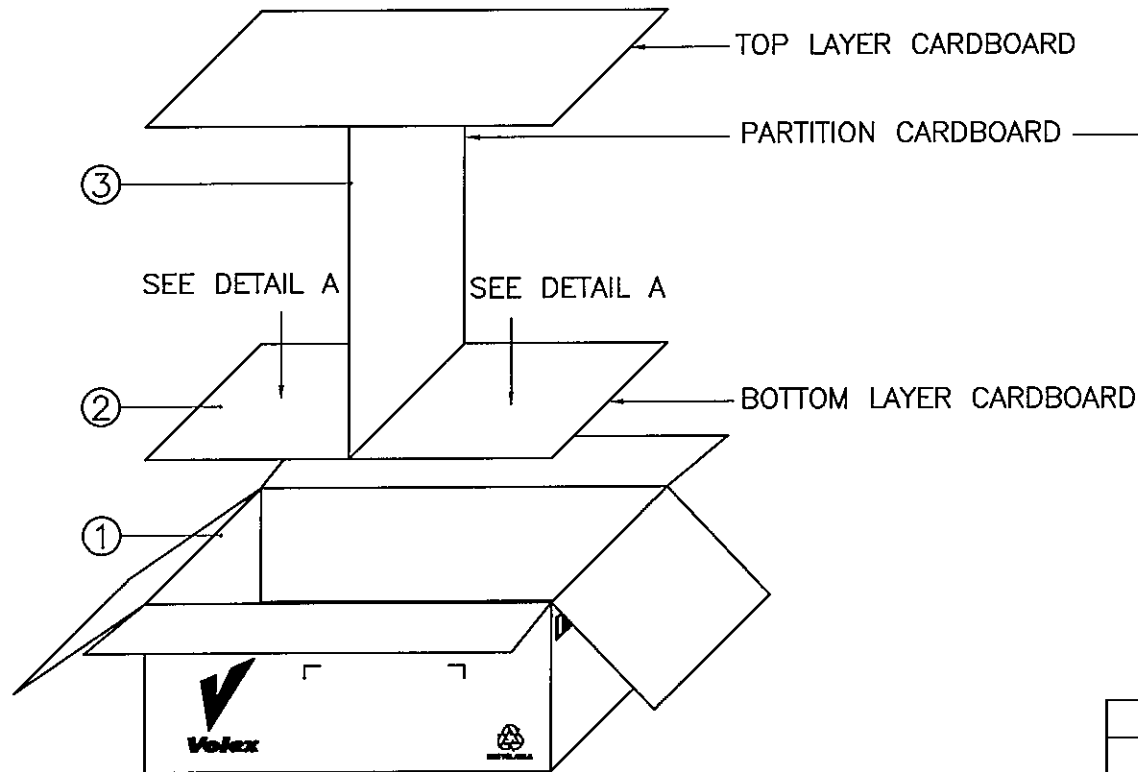
5	PRINTED LABEL	VL-0356	1
4	8" PE TIE BLK	6310062	1
	IP50G NL7977B BLK	4100098	-
3	MOLDED CONNECTOR 386A (13A 125V)	386A	1
	IP40G NL792B BLK	4100017	-
2	MOLDED PLUG PS204 (13A 125V)	PS204-B	1
1	SJT 16/3 60°C BBGY BLK LF (AL/MY)	1910227	2.977M

S/N	DESCRIPTION	ITEM NUMBER	QTY
TITLE : NORTH-AMERICAN POWER SUPPLY CORDSET (RoHS COMPLIANT)		PAGE : 1/2	
CUSTOMER : VIS/VOLEX INC		HG09-205-05	
CUSTOMER PART NUMBER : 17603 10 B1		DWG. TYPE	
F/G CODE : 17603 10 B1		SPEC NO. : --- OED	

SALES : N.A.	QA : N.A.	ENGRG : Fong	CHECKED BY : Sandy	DRAWN BY : SANDY YU	Volex (Asia) Pte Ltd <small>Confidential property of Volex. Information contained herein shall not be disclosed to others, reproduced or used for any other purposes except as authorized in writing by an authorized official of Volex Asia.</small>
DATE : N.A.	DATE : N.A.	DATE : 23/05/15	DATE : 18/05/15	DATE : 15/05/15	

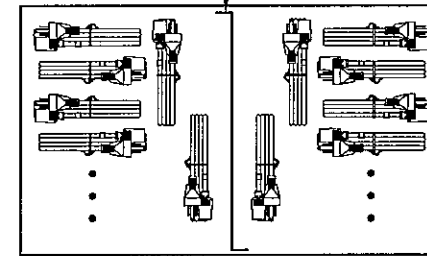
DRAWING NUMBER :

1103465



PACKAGING INSTRUCTION

1. 2 COMPARTMENTS PER CARTON, 25 PCS PER COMPARTMENT.
2. PLUG'S DIRECTION TO BE IN ALTERNATE ARRANGEMENT WHEN PACKING.
3. PACKAGING : 50 PCS PER CARTON.



DETAIL A

NOTE :

1.) ALL DIMENSIONS IN mm.

3	CARTON PAPER 415X245MM	901023	0.02
2	CARTON PAPER 550X305MM	901024	0.04
1	LONG CARTON 560X330X250MM	901011	0.02

S/N	DESCRIPTION	ITEM NUMBER	QTY
-----	-------------	-------------	-----

REVISION	F	TITLE : PACKAGING SPEC.
PAGE	2/2	
SCALE	N.T.S.	

REFERENCE :	DESCRIPTION : CARTON BOX	<i>Volex (Asia) Pte Ltd</i>
		<small>Confidential property of Volex. Information contained herein shall not be disclosed to others, reproduced or used for any other purposes except as authorized in writing by an authorized official of Volex Asia.</small>